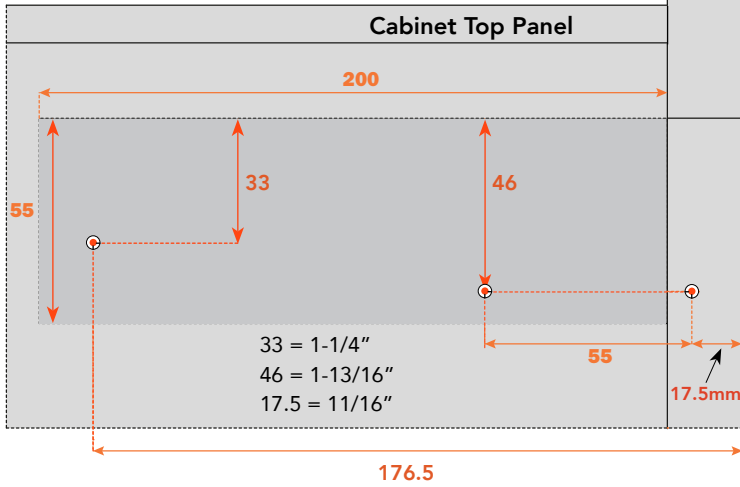


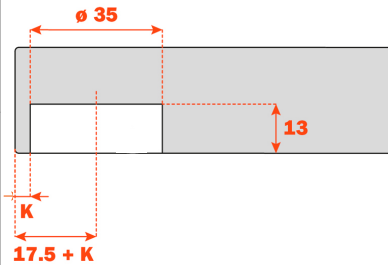
SALICE WIND Lift System

Face Frame: Overlay Door

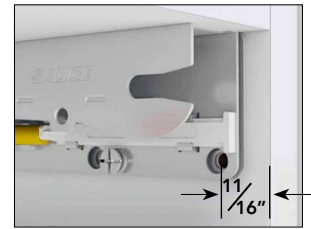
Side View



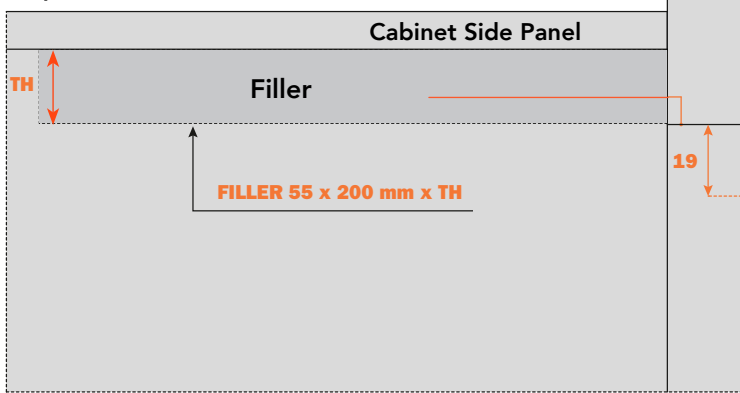
Mount the bracket up tight against top of opening. Distance back from face of cabinet to first hole is 17.5mm (11/16")



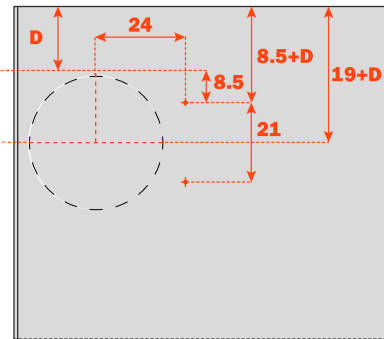
Bracket front edge is 3/8" in from front of opening. Front hole at 11/16"



Top (Overhead) View

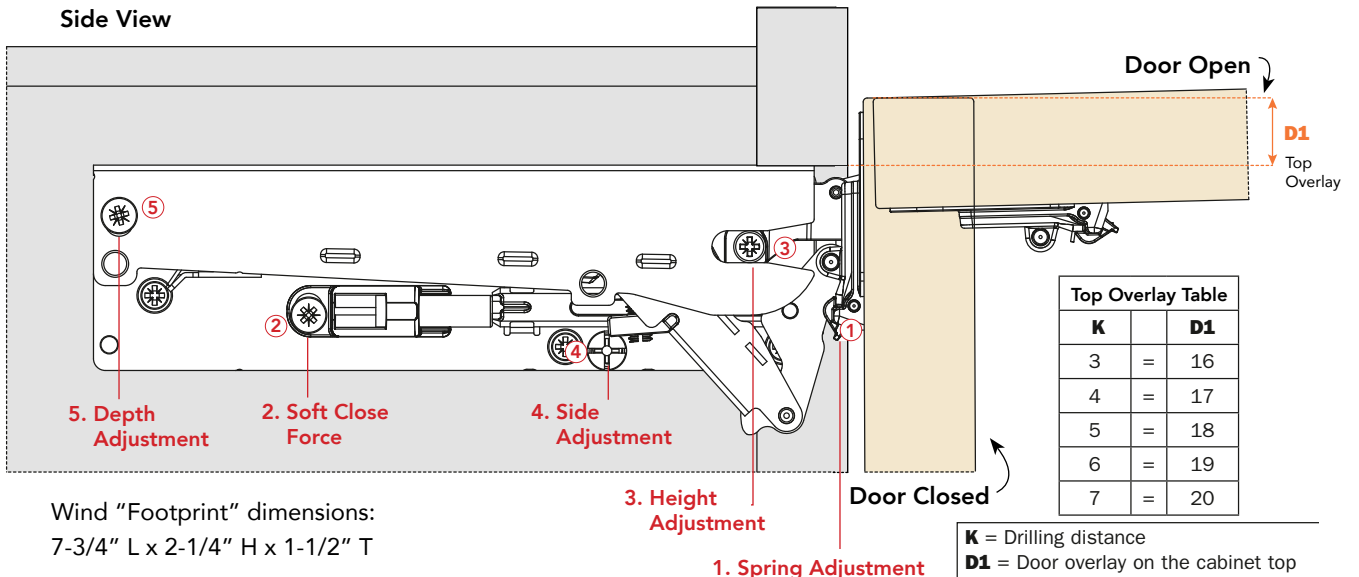


Door Side Overlay = D



Door Top View

Side View



Wind "Footprint" dimensions:
7-3/4" L x 2-1/4" H x 1-1/2" T

Top Overlay Table		
K	=	D1
3	=	16
4	=	17
5	=	18
6	=	19
7	=	20

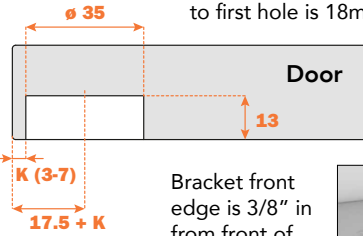
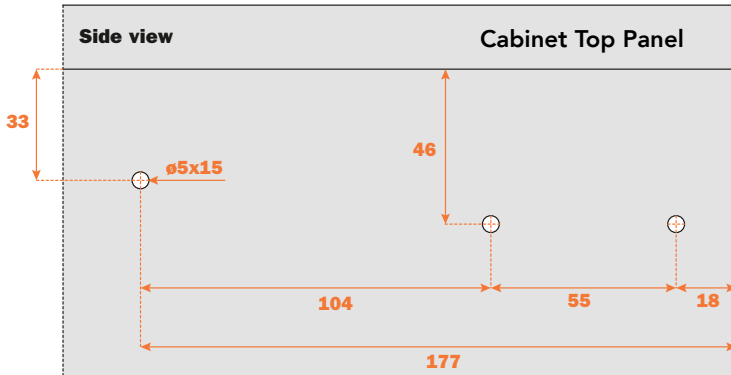
K = Drilling distance
D1 = Door overlay on the cabinet top

For 1/2" top overlay, mount the bracket 3-4mm lower in cabinet

SALICE WIND Lift System

Frameless: Overlay Drilling Pattern

Mount the bracket up tight against top of opening. Distance back from face of cabinet to first hole is 18mm.

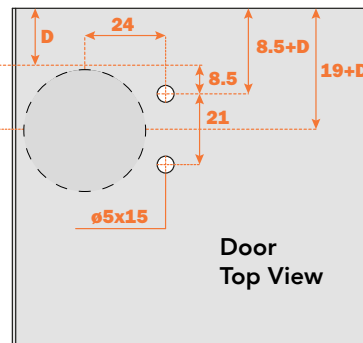
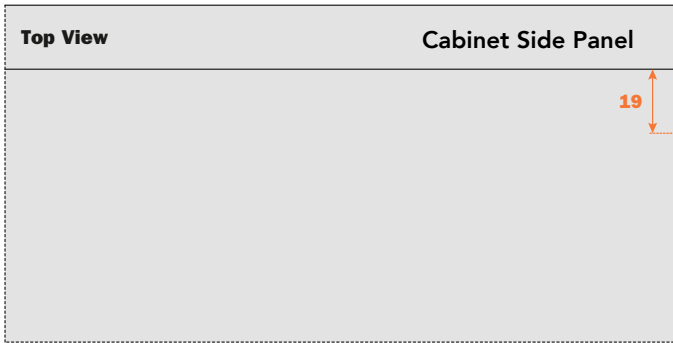


Bracket front edge is 3/8" in from front of opening. Front hole at 18mm.



18mm

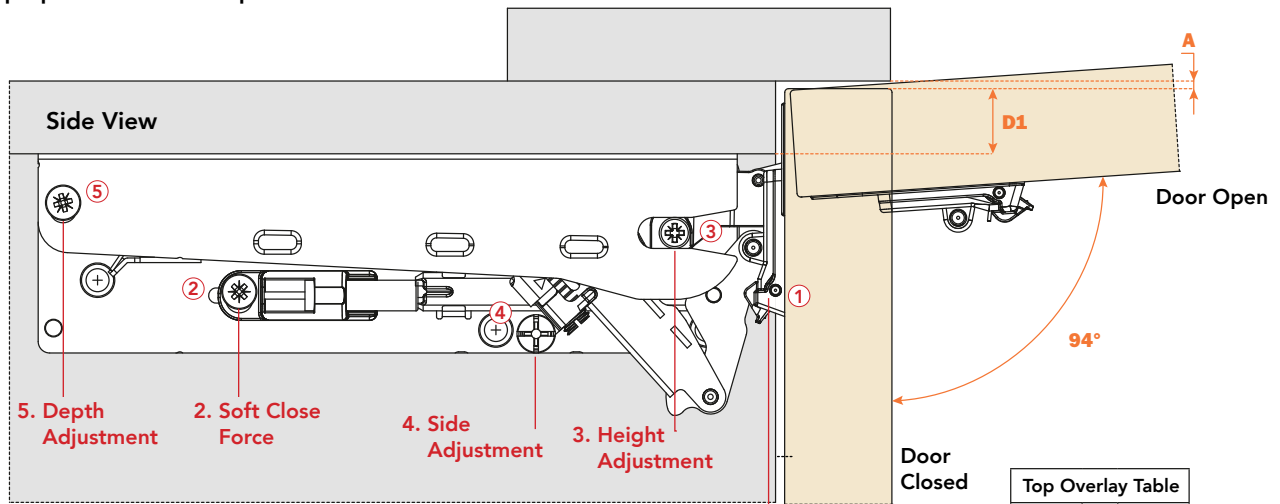
D = Overlay of Door on side panel



For the full brochure, including charts to determine the right wind for you, scan here:



Top Space needed to open the door



1. Spring Adjustment

		MINIMUM REVEAL TABLE													
		T=	16	17	18	19	20	21	22	23	24	25	26	27	28
K=3	A=	0	0.1	0.1	0.2	0.2	0.3	0.5	0.6	0.7	0.9	1.1	1.8	2.7	
K=4	A=	0	0.1	0.1	0.2	0.2	0.3	0.4	0.6	0.7	0.9	1.1	1.3	2.1	
K=5	A=	0	0.1	0.1	0.2	0.2	0.3	0.4	0.6	0.7	0.9	1.1	1.3	1.5	
K=6	A=	0	0.1	0.1	0.2	0.2	0.3	0.4	0.6	0.7	0.9	1.0	1.2	1.5	
K=7	A=	0	0.1	0.1	0.2	0.2	0.3	0.4	0.6	0.7	0.8	1.0	1.2	1.4	

Top Overlay Table		
K	=	D1
3	=	16
4	=	17
5	=	18
6	=	19
7	=	20

K = Drilling distance
D1 = Door overlay on the cabinet top
A = Min Reveal