



**Lifetime Warranty**

Manufactured By  
Arturo Salice S.p.A.  
Como, Italy

Only  
**Made in Italy**  
Since 1926

[www.saliceamerica.com](http://www.saliceamerica.com)

### General Description

Grade 2, concealed cabinet and furniture hinge.  
Four pivot points with an opening angle of 120 degree.  
Self Closing, galvanized spring.

All steel construction. Nickel plated.  
Corrosion resistant.  
Self-lubricating.

Fully adjustable by mechanical means.  
Compatible with all Salice series 200, mounting plates.  
Available as self close or free swing.

### Applications

Suitable for commercial and institutional case work, office furniture and residential cabinetry.

Use where a 120 degree opening is desired.  
Low profile provides minimum protrusion into the cabinet interior.

Available for full overlay, partial overlay applications.

Maximum door thickness: 15/16" (24mm) \*  
Minimum door thickness: 5/8" (16.0mm)  
Hinge cup depth: 7/16" (11mm)

## Certifications: ANSI/BHMA, ISO9001, ISO14001

**ANSI/BHMA**

A.156.9-944.2  
Sections: 4.2 Hinge set test.  
Sections: 4.3 Operating life cycle  
Sections: 4.4 Closing and extension

[www.buildershardware.com](http://www.buildershardware.com)  
[www.ansi.org](http://www.ansi.org)

**ARCAT Specification**

Section 06 41 20  
Cabinet/Drawer Hardware

[www.arcat.com](http://www.arcat.com)

**ISO9001**

MANAGEMENT SYSTEM CERTIFICATE

ARTURO SALICE S.p.A. - Sede Legale e Operativa  
Via Provinciale Novaresate, 10 - 22060 Novaresate (CO) - Italy

[www.iso.org/home.html](http://www.iso.org/home.html)

**ISO14001**

MANAGEMENT SYSTEM CERTIFICATE

ARTURO SALICE S.p.A. - Sede Legale e Operativa  
Via Provinciale Novaresate, 10 - 22060 Novaresate (CO) - Italy

[www.iso.org/home.html](http://www.iso.org/home.html)

**Environmental Responsibility**

Arturo Salice S.p.A. continually takes steps to insure our activities result in a positive impact on the environment. All Salice products exceed all international standards for environmental responsibility in the manufacturing process. This includes full compliance with **ROHS** certification. [www.rohsguide.com](http://www.rohsguide.com)

**Buy American Act**

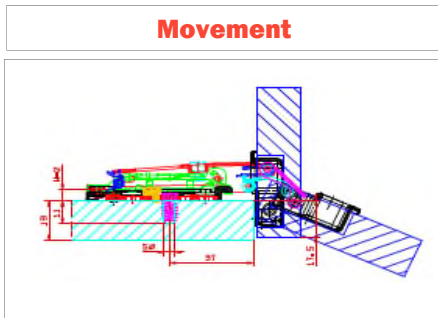
Salice America meets all requirements to be in compliance with the Buy American Act. Title 41: 41 U.S.C. §§ 8301-8305.

[www.fas.org/sgp/crs/misc/R43140.pdf](http://www.fas.org/sgp/crs/misc/R43140.pdf)

**Consumer Product Safety Improvement Act 2008**

All products manufactured by Arturo Salice S.P.A. are in compliance with consumer safety for lead content pursuant to CPSIA Title 1 Section 101.

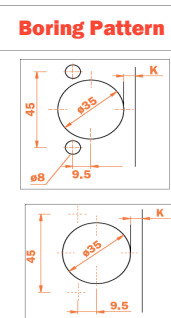
[www.cpsc.gov/Regulations](http://www.cpsc.gov/Regulations)



**Number of Hinges Specification**

2 hinges: Doors up to 36 inches high, up to 24 inches wide, 20 lbs or less.  
3 hinges: Doors up to 60 inches high, up to 24 inches wide, 40 lbs or less.  
4 hinges: Doors up to 84 inches high, up to 24 inches wide, 60 lbs or less.  
5 hinges: Doors up to 96 inches high, up to 24 inches wide, 80 lbs or less.

\* Please contact Salice America for doors beyond these size and weight specifications.



**Item Codes**

C2_9A99	120 Degree, Self Close, Full Overlay, NI
C2_8A99	120 Degree, Free Swing, Full Overlay, NI
C2_9D99	120 Degree, Self Close, 1/2" Overlay, NI
C2_8D99	120 Degree, Free Swing, 1/2" Overlay, NI
C2_9G99	120 Degree, Self Close, Half Overlay, NI
C2_8G99	120 Degree, Free Swing, Half Overlay, NI

"Space" \_ Indicates fastening method. Fabricators choice.

**Industry Affiliations**

Salice America actively participates with the top industry associations to maintain the highest possible quality assurance standards for the industry. Some industry partners include:

<p><b>National Kitchen &amp; Bath Association</b> <a href="http://www.nkba.org">www.nkba.org</a></p> <p><b>Kitchen Cabinet Manufacturers Association</b> <a href="http://www.kcma.org">www.kcma.org</a></p> <p><b>North American Building Materials Distribution Association</b> <a href="http://www.nbmada.org/p/ca/vi/sid=28">www.nbmada.org/p/ca/vi/sid=28</a></p>	<p><b>Architectural Woodworking Institute</b> <a href="http://www.awinet.org">www.awinet.org</a></p> <p><b>Woodwork Institute</b> <a href="http://www.woodworkinstitute.com">www.woodworkinstitute.com</a></p> <p><b>Cabinet Makers Association</b> <a href="http://www.cabinetmakers.org">www.cabinetmakers.org</a></p>
---	--

\* The maximum door thickness stated is based on the maximum door thickness possible while maintaining aesthetically pleasing, minimal reveals between 2 doors.