



CORNERSTONE MAXX



Maple w/ Silver Railing - RH unit

- Can be installed with drawer above
- The shelves can be moved in and out independently and do not obstruct the adjacent cabinet
- Rapid **single** post install showcases floating design
- Tool-free assembly of shelves onto supports
- Simple height adjustment (Min. 19-5/8")
- 55 lbs. Load Cap per shelf

One Shop's Experience:

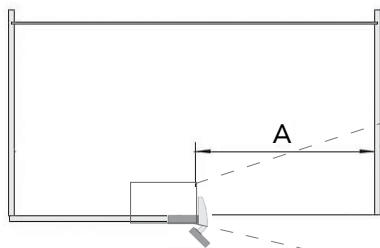
"This installed so EASY and I really like it. Let's use this from now on."



White w/
Silver Railing

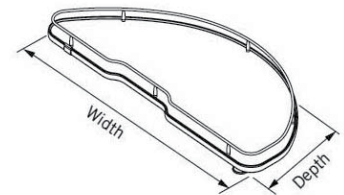
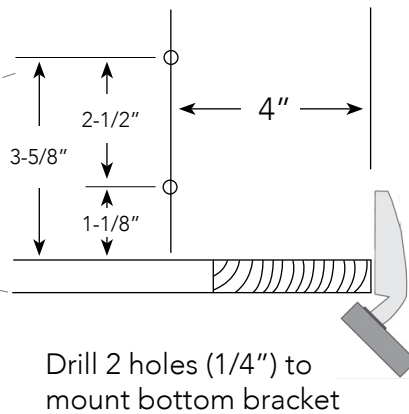


Lava w/
Grey Railing



Min Opening (including door & hinge)

Size	A	Size	A
1	14"	3	18"
2	16"	4	22"



Product Dimensions

Size	Width	Depth
1	29"	13"
2	33"	14-3/4"
3	37"	16-3/4"
4	39"	18-3/16"

What to Order For one complete set, order 1 set of shelves and 1 hardware kit.

Shelves (required)

Maple	White	Lava Grey	Size #	List/set
90007611	90007515	90007554	1 LH	\$ 206
90007612	90007514	90007555	1 RH	206
90007613	90007517	90007556	2 LH	215
90007614	90007516	90007562	2 RH	215
90007615	90007513	90007558	3 LH	230
90007616	90007442	90007559	3 RH	230
90007617	90007519	90007560	4 LH	318
90007618	90007518	90007561	4 RH	318

Hardware Kit (required)

Code	Description	List/set
90007432	Universal Hardware Kit (non-handed)	\$ 303.60



See video on Cornerstone Maxx Installation at macpac1.com/videos.html#vauthsagel



CHEF PANTRY
 Made in Germany

Full Depth: 22-3/4"
 High Capacity: 23% more storage

12 Minute Install
 Soft-Close Pantry



Chrome Plated Baskets



Maple Melamine base, silver powder coated baskets

Door adjusts:
 Height, Side, Door Warp & Tilt



- 12 Minute Install
- Door adjusts for: Height, Side, Door Warp & Tilt
- Baskets Adjust in 2-1/2" steps
- Synchro-action : 265 lbs.
- Five widths : 9" - 20"
- Any height: 26" - 84"

	Height		Height
9037	25-1/2" - 37"	9067	57" - 67"
9047	37-1/2" - 47-1/4"	9076	67" - 76-3/4"
9057	47-1/4" - 57"	9091	74-3/4" - 84-1/2"

Specify **Width** and **Basket type** when ordering:
 'C' for Chrome baskets or 'M' for Maple baskets
 Example: 9076-11C.

Chrome	# of Bskts	Height				
		8-7/8"	11-5/8"	14-3/8"	17-1/8"	19-7/8"
9037-	2	\$ 780	\$ 788	\$ 800	\$ 810	\$ 818
9047-	4	782	800	824	838	860
9057-	4	784	800	826	842	862
9067-	4	808	828	848	864	884
9076-	6	952	980	1012	1036	1064
9091-	6	960	988	1020	1044	1072

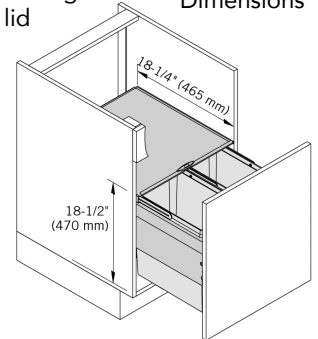
Maple	# of Bskts	Height				
		8-7/8"	11-5/8"	14-3/8"	17-1/8"	19-7/8"
9037-	2	\$ 868	\$ 884	\$ 914	\$ 944	\$ 960
9047-	4	964	994	1052	1110	1138
9057-	4	964	996	1054	1112	1142
9067-	4	988	1024	1076	1134	1166
9076-	6	1222	1272	1354	1442	1486
9091-	6	1230	1278	1362	1450	1492



ENVI SPACE PRO
 Made in Germany



Additional storage available using roll-out lid
 Cabinet Dimensions



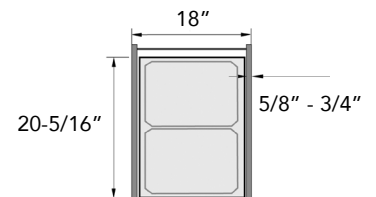
- Base cabinet width: 24"
- Min opening width: 22-1/8" - 22-1/3"
- Installation depth: 18-5/16", Installation height: 18-1/2"
- Integral 3-D front adjustment, soft-closing and self-closing. Slide is smooth rack & pinion design
- Metal frame is silver powder coat finish
- Max capacity: 60 Qts. (2 bins, 30 Qts. each)

Code	Description	List/ea
90003697	ENVI Space Pro, 24" with 2 x 30 qt bins	\$ 478

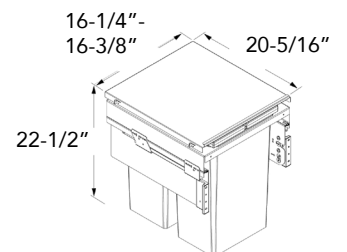
Envi Space XX Pro



Cabinet Dimensions



Product Dimensions



- Cab width: 17-3/4"
- Min opening width: 16-1/2"
- Installation :
 Depth: min. 20-5/16"
 Height: min. 22-7/8"
- Integral 3-D front adjustment, soft-closing and self-closing. Slide is smooth rack & pinion design
- Metal frame is silver powder coat finish
- Max capacity: 74 Qts. (2 bins, 37 Qts. each)

Code	Description	List/ea
90008761	ENVI Space XX, 18" with 2 x 37 qt bins	\$ 509.54

VAUTH SAGEL COR FOLD
 Made In Germany. 2 Sizes.



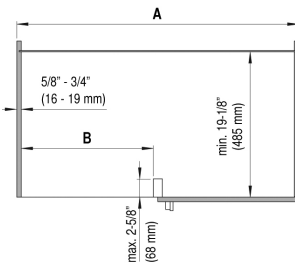
Left Hand Installation shown.

When opening, front baskets swing sideways for free access to rear baskets. Silent and Smooth soft-close action.

- Smooth soft close system
- Easy assembly of door fronts with central height adjustment
- Independent width door mount bracket
- Height adjustable top baskets
- Tool-less door attachment
- Inside height min: 20-7/8"
- Load capacity: Door basket - 17.6 lbs.
Cabinet basket - 21 lbs.
- Chrome Finish / Frame Silver powder coat

Code	Cab Width A	Door Opening B
90004164	31-1/2"	14-1/2" - 16-1/2"
90004165	31-1/2"	14-1/2" - 16-1/2"
90003890	35-1/2"	16-1/8" - 22-3/8"
90003891	35-1/2"	16-1/8" - 22-3/8"

Cabinet Dimensions



Packing: 1 set/box,
Includes all parts, 4 baskets and instructions

Code	Hand	Door Width	List/ea
90004164	RH	15-3/4" - 17-3/4"	\$ 811.62
90004165	LH	15-3/4" - 17-3/4"	811.62
90003890	RH	17-3/4" - 23-1/2"	851.70
90003891	LH	17-3/4" - 23-1/2"	851.70

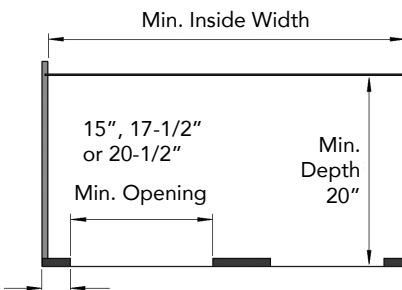
VAUTH SAGEL FLEX CORNER
 Made in Germany. 3 Sizes.



Maple Baskets

Soft Close

- Easy bottom mount installation
- Non-handed
- Face frame or Euro style installation
- Load cap: 21 lb. per basket
- Saphir Chrome or Maple baskets



Chrome Baskets

1-1/2" - 1-3/4"

Min. Installation Height: 20-1/2"

Size	Min. Inside Width	Min. Opening	Min. Depth
1	27-1/4"	15"	20"
2	31-5/8"	17-1/2"	20"
3	34-1/2"	20-1/2"	20"

Order 1 frame and 1 basket set. Basket set consists of 2 front baskets and 2 rear baskets.

Frame	Description	List
90006112	Size 1 Frame	\$ 378
90006113	Size 2 or Size 3 Frame	378

(CR) Saphir Chrome or (MP) Maple Basket sets*

CR 90006117	Size 1	Front: 11" W x 16" D	\$ 220
MP 90006257		Rear: 11" W x 20" D	475

CR 90006255	Size 2	Front: 13-3/4" W x 16" D	240
MP 90006258		Rear: 12-3/4" W x 20" D	490

CR 90006256	Size 3	Front: 13-3/4" W x 16-3/8" D	275
MP 90006259		Rear: 15-3/4" W x 20" D	500

* Basket sizes are approx. Height of basket railing: 2-3/4"

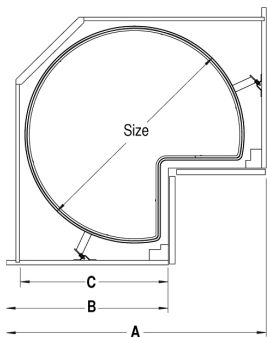
 **V A U T H S A G E L** **COR WHEEL PRO**
 Made in Germany

The Cor Wheel Pro "floating shelf" - a pole-free lazy susan.



Kidney shaped Floating Susans


- Pole-free = more storage space
- Minimum installation height: 25-9/16"
- EasyFit: tool-free installation of shelves onto the supporting arms
- Flexible base positioning irrespective of cabinet height
- Can be retrofitted into existing cabinets
- Max load bearing: 62 lbs per shelf
- Maple shelf, Silver rail



Sizes: 26-3/4" and 32"

Pack: 1 set consists of 2 Trays, 2 support arms, 2 wall brackets and mounting instructions.

Code	A	B	C	List/ea
90004100	31-1/2"	21-1/4" - 24"	19-1/4"	\$ 479
90008840	35-1/2"	21-1/4" - 24"	19-1/4"	653

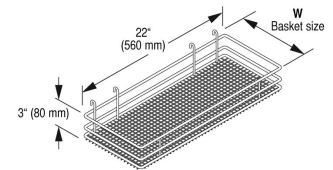
 **V A U T H S A G E L** **SUB SIDE BASE PULL-OUT**
 Made in Germany



- Installation depth: 23"
- Individual height adjustment for baskets
- 3-D door front adjustment
- Integral self-closing / soft closing
- Powder coat silver / chrome baskets
- Non-handed
- Max load 45 lbs.
- Full Access


Cabinet dimensions
 Side Mounted

Basket dimensions



Order Frame and 3 basket set separately.

Code	Description	Cab Opening	List/ea
90002999	Sub Side 1 Frame, 19-11/16" Height	-	\$ 112.00
90003259	Sub Side 3A Frame, 26-1/2" Height	-	\$ 184.00
90002572	3 basket set, 5" W	6"	152.00
90002576	3 basket set, 9" W	10-1/8"	197.06

 See video at macpac1.com/videos.html#vauthsagel