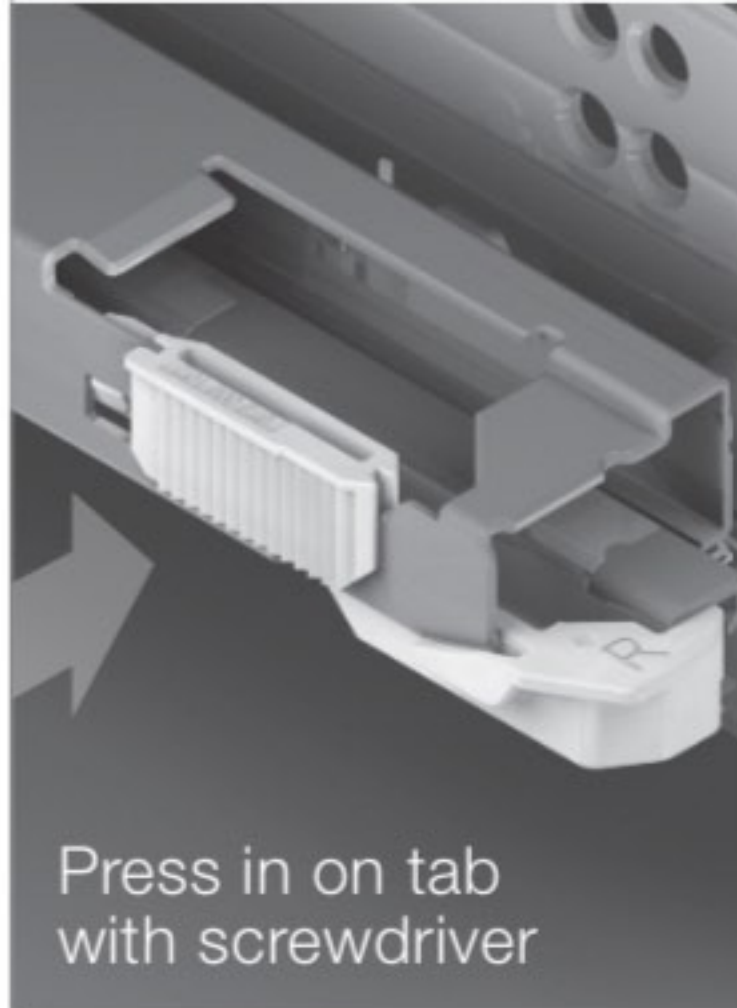


Depth Adjustment Fitting

Removal



Removal - Remove existing standard fitting.

Insertion



Insertion - Insert depth fitting.