

**SALICE**

Updated  
Order Form  
and Specs

Update  
May 2019

## Excedra Pocket Door System

Salice's pocket door system features an assisted soft-close door-return mechanism and a door opening safety device. **This new soft close magnetic damper is directly attached to the main track which provides a smoother soft close.** The system incorporates an exclusive, synchronised cam movement – the hallmark of all sliding mechanisms supplied by Salice.

In addition, this system has been designed to offer simple fitting and adjustment, and can be installed, adjusted and inspected on site, as all three movements are adjusted from the front of the cabinet in a simple, intuitive way. If so required, the complete mechanism can be removed from the front without dismantling the cabinet side. For use with individual door weights up to 66 lbs.



### Door Features

- Maximum weight for each door : 66 lbs (30 Kg). (w 5 hinges allowed, distributed evenly)
- Thickness: - min. 3/4" (19 mm) - max. 1-3/16" (30 mm)
- Width: - min. 15-3/4" (400 mm) - max. 35-7/16" (900 mm)
- **Height: - min. 53-1/2" (1359 mm) - max. 98-7/16" (2500 mm)**
- Door vertical adjustment: +4/-1 mm
- Door horizontal adjustment: ±2 mm
- Door front adjustment: ±4 mm
- Cam-assisted door extraction movement
- Soft closing and soft opening buffer
- Material: a) wood or derivatives; b) metal and glass frame



YouTube



See Salice Pocket Door System videos at  
<https://macpac1.com/videos.html#salice>

## Technical Features

Vertical Door Adjustment	+4, -1
Horizontal Door Adjustment	+/-2
Easy to remove from the cabinet	YES
Max Load	66 lbs. (30 kg) (with 5 hinges allowed)
Door Width	15-3/4" - 35-7/16" (400-900mm)
Door Height	53-1/2" - 98-7/16" (1359-2500mm)
Door Thickness	3/4" - 1-3/16" (19-30mm)
Inset Door Application	YES
Opening and Closing decelerating system	YES
Min. Cabinet Depth	15-3/4" (400mm)

## Key Advantages

Pre-assembled without extra cost

Slide in and pull out assisted movements

Easy and quick mechanism pull out

High resistance and durability, certified with 100,000 cycles stress test

Decelerated door slide in

Quick frontal adjustable

Simple and fast assembly of the door to vertical bar

## Competition Benchmark Comparison

Product Model	Salice	Hawa
	Pocket Door	Concepta25/30
Door Max Weight	67 lbs. (30 kg)	55/67 lbs. (25/30 kg)
Door Width	15-3/4" - 35-7/16" (400-900mm)	11-13/16" - 35-7/16" (300-900mm)
Door Height	53-1/2" - 98-7/16" (1359-2500mm)	49-3/16" - 98-7/16" (1250-2500mm)
Door Thickness	3/4" - 1-3/16" (19-30mm)	3/4" - 1-3/16" (19-30mm)
Mechanism space required	2-3/16" (55mm)	2-3/16" (55mm)
Mechanism rear space required	4-3/16" (107mm)	2-7/8" (73mm)
Assisted Door Pull Out	YES	NO
Assisted Door Slide In	YES	NO
Decelerated Door Slide In	YES	NO
Door Frontal Adjustment	YES	YES

## How to order the mechanism

- 1) Complete all the requested values in the section "cabinet dimensions" of the order form.
- 2) Choose the Handing (slide-in, slide-out side). Select the box "Right" or "Left".
- 3) Optional accessories:
  - "Cover panel connector kit" : choose one of three cases (if desired)
  - "Front cover kit" : choose the color
  - Choose Soft-close option for door hinges
  - Roller kit for aluminum door or 5 piece wood door (if desired)



RH Shown

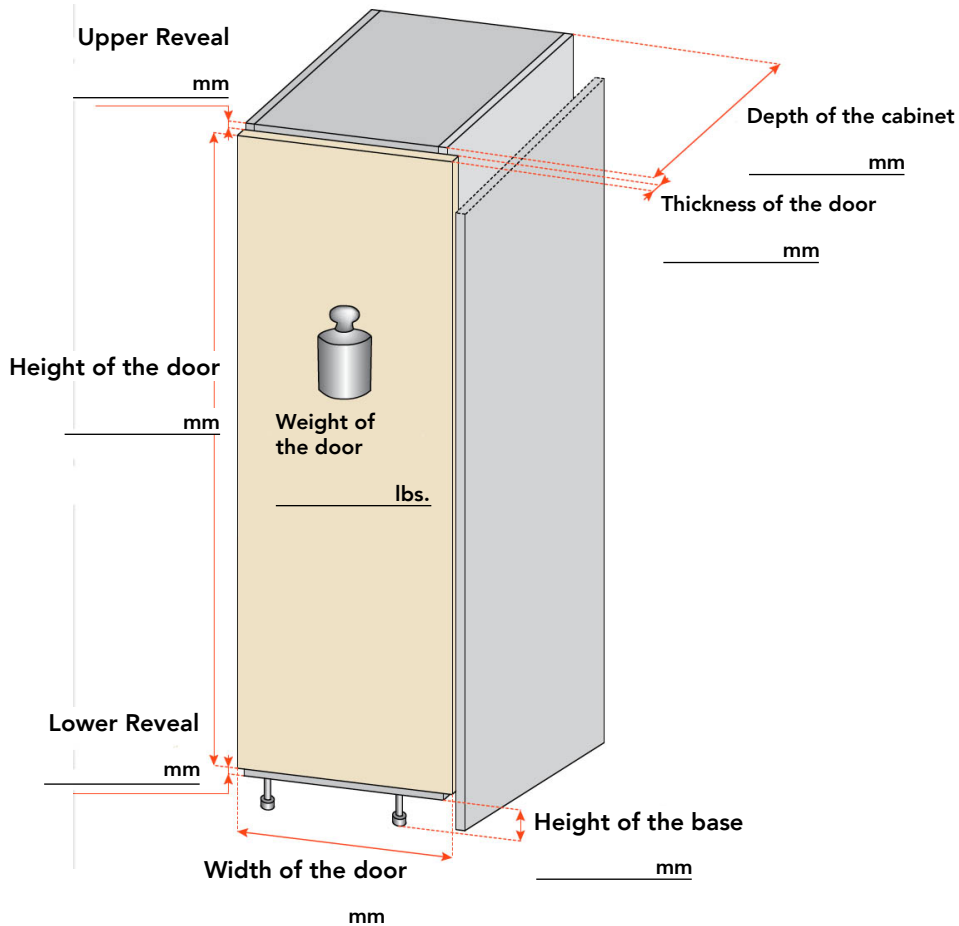


# Order Form Details needed to order a mechanism

Customer Name:	Today's Date:	
Customer #:	P.O. #:	
Address:	Contact Name:	Comments:
City, State, Zip:	Phone / Fax:	

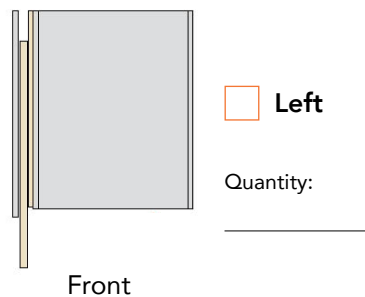
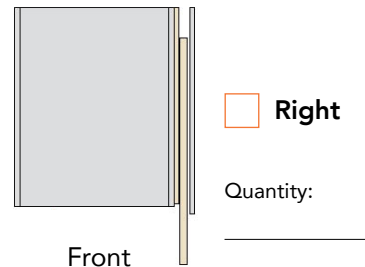
### 1. Cabinet Dimensions, Door Dimensions:

For the max. and min. dimensions, please refer to page 1 of bulletin.



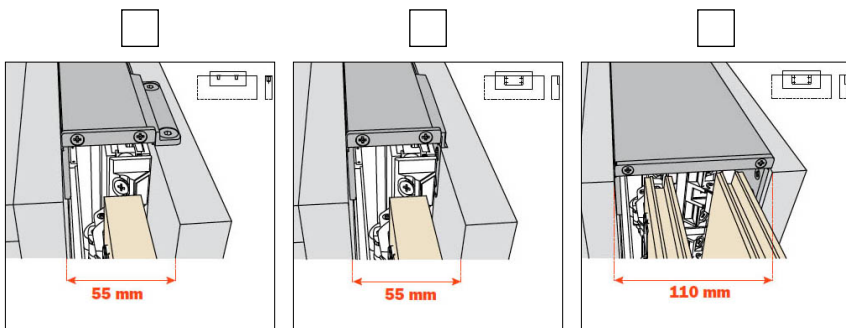
### 2. Handing of Pocket

(Side where door slides in and out)



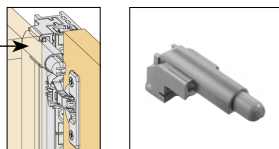
### Options

#### 3. Cover panel connector kit

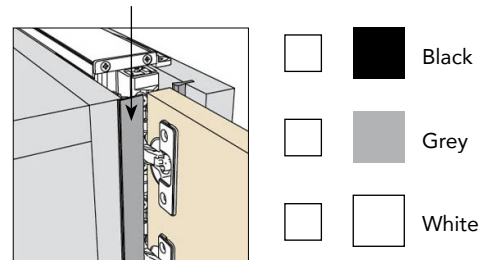


#### 4. Soft-Close Kits on Hinges

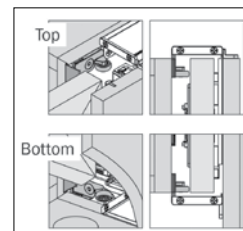
Yes  No



#### 5. Front cover kit: Choose color



#### 6. Roller kit for aluminum door or 5 piece wood door



Salice Excedra Pocket Doors: new clean designs in cabinetry

