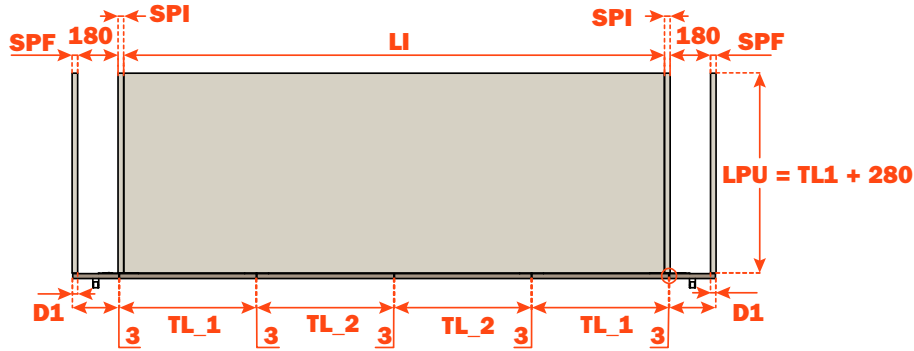
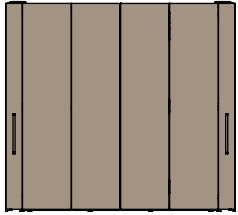
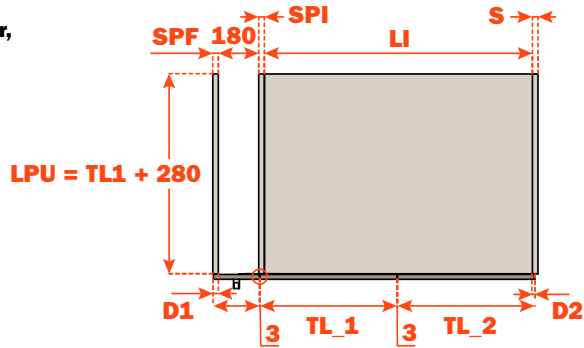
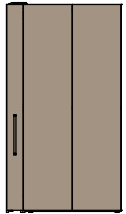


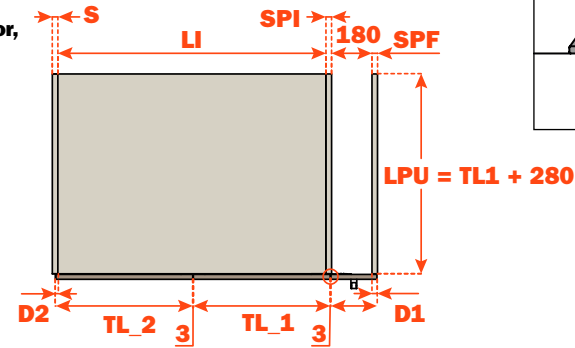
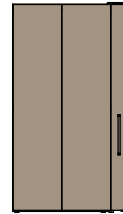
Double doors, left + right



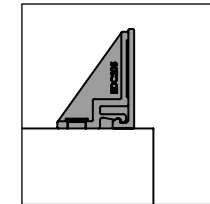
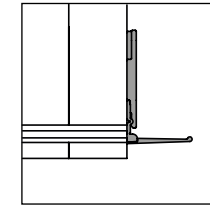
Single door, left



Single door, right



Finish of the front and side cover strips



Maximum weight of both doors, recess cover panel and handle = 50 Kg

<b>LHT</b>	Total cabinet height (mm)	
<b>SPC</b>	Top panel thickness (mm)	
<b>LHI</b>	Internal cabinet height (mm)	
<b>SPB</b>	Bottom panel thickness (mm)	
<b>LI</b>	Internal cabinet width (mm)	
<b>S</b>	Side panel thickness (mm)	
<b>SPI</b>	Central panel thickness (mm)	
<b>TH</b>	Door height (mm) • max 2600	
<b>TL1</b>	Internal door width (mm) • min 450 - max 750	
<b>TL2</b>	External door width (mm) • min 450 - max TL1 + 90	
<b>T</b>	Door thickness (mm) • min 18 - max 25	
<b>D1</b>	Door overlay on side panel (mm)	
<b>D2</b>	Door overlay on side panel - single system (mm)	
<b>LPU</b>	Cabinet depth • min = TL1 + 280	
	Presence of external side panel	
<b>SPF</b>	Side cover panel thickness (mm)	

Contact name
Company
Date
Project
Distributor
Notes

