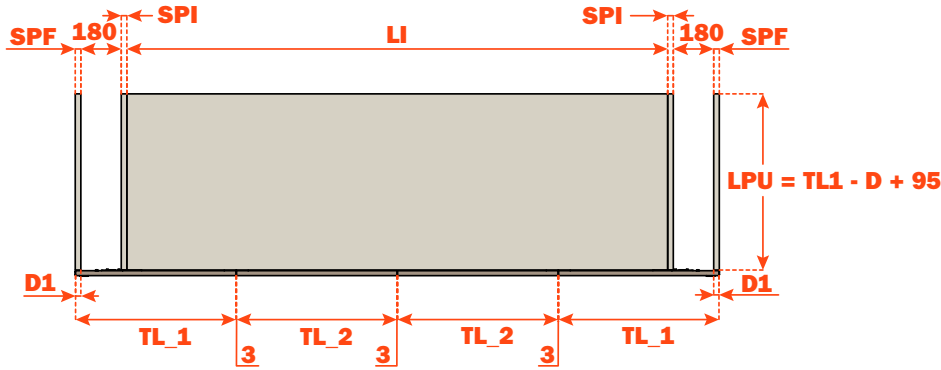
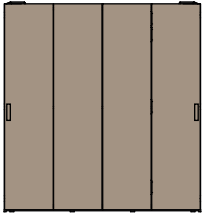
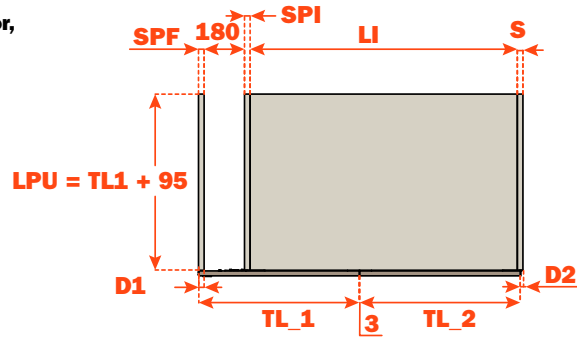


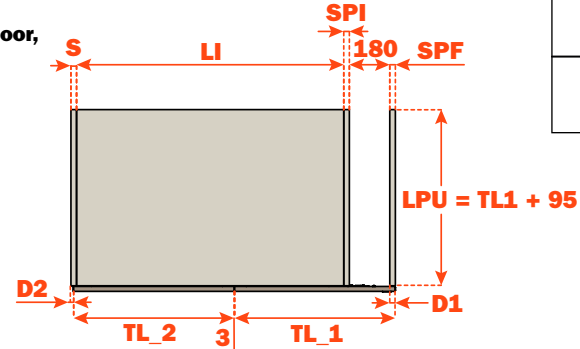
Two doors, left + right



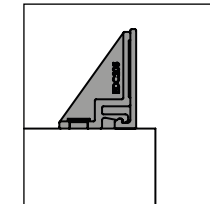
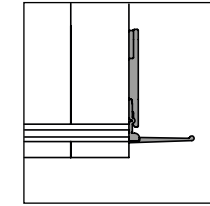
Single door, left



Single door, right



Front and side cover finish



Maximum weight of two doors 50 Kg

LHT	Total cabinet height (mm)	
SPC	Top panel thickness (mm)	
LHI	Internal cabinet height (mm)	
SPB	Bottom panel thickness (mm)	
LI	Internal cabinet width (mm)	
S	Side panel thickness (mm)	
SPI	Central panel thickness (mm)	
TH	Door height (mm) • max 2600	
TL1	Internal door width (mm) • min 550 - max 850	
TL2	External door width (mm) • min 550 - max 850	
T	Door thickness (mm) • min 18 - max 25	
D1	Door overlay on side panel (mm)	
D2	Door overlay on side panel - single system (mm)	
LPU	Cabinet depth • min = TL1 - D + 95	
	Presence of external side cover	
SPF	Side cover panel thickness (mm)	

Contact name
Company
Date
Project
Distributor
Notes

