

Company: _____
 Contact Name: _____
 Address: _____
 City / State / Zip: _____
 Phone #: _____
 Fax #: _____
 Email: _____

Email Form to orders@macmurraypacific.com
 Fax to (415) 552-5840

**MACMURRAY
 PACIFIC**



568 7th St. San Francisco, CA 94103 (415) 552-5500

Project Name: _____

Date: _____ PO #: _____

① Profile Type

- AF001** AF002
- AF003 AF004
- AF005 AF006*
- AF007 AF008**
- AF009 AF010*
- AF011

*AF006 & AF010 available ONLY with opaque Backpainted Glass inserts

** AF001 & AF008 are Narrow Profiles. Hinge fabrication must be done by Element Designs. **MAX 48" H or W**

② Profile Finish

- **Anodized Finish**
 - Natural Anodized
 - Brushed Stainless
 - Chrome (AF003 & AF010 ONLY)
 - Arctic Gold (AF003 ONLY)
- **Powder Coat Finish**
 - Oil Rubbed Bronze
 - White Black

③ Insert Type (select one) all inserts are 5/32" (4mm)

- **Standard Glass Inserts:**
 - Satin (Acid Etched) Lustral D Reeded (Vertical)
 - Clear Austral Reeded (Horizontal)
 - Smoked Grey Mirror Master Carre
 - Low-Iron Clear Low-Iron Satin (Acid Etched)

- **Backpainted Glass Inserts:**
 Finish (select one): Gloss Matte

- Paint Color (select one):
 - White Scarlet Silver
 - Black Olive Bronze
 - Sand Mocha Charcoal
 - Non-Standard Color: _____
 - Custom Color*: _____

*Custom Color match approval & fee applies. Contact Element Designs for details.
 **Backpainted glass has a light gray backer, unless otherwise specified

- **3form® Resin Inserts:**
 Pattern: _____
- **PARAPAN® High Gloss Inserts:**
 Color: _____
- **Metallic Inserts:**
 - Aluminum Laminate Stainless Lam. (Vertical)
 - Platinum Ice Acrylic Stainless Lam. (Horizontal)
- **Custom Etch:** Positive Negative
- NO INSERT

*Art work must be supplied, subject to set up fee. Contact Element Designs for details.
 All glass is tempered safety glass & will not have etched tempered logo unless otherwise specified at time of order. Refer to local building codes.

④ Hinge Hardware Selection

- Wide Frame:** QTY: _____
 Full Overlay (35mm cup)
 - Soft Close (71B3550)
 - Self Close (71T5550)
 - Free Swing (70T3580)
 Half Overlay (35mm cup)
 - Soft Close (71B3650)
 - Self Close (71T5650)
 - Free Swing (70T3650)
- Narrow Frame*:** *ONLY AF001 & AF008 QTY: _____
 Full Overlay (Narrow)
 - 15mm Soft Close (71B950A)
 - 15mm Self Close (73T550A)
 - 17mm Self Close (71T950A)
 - 19mm Self Close (C2Z6A99)
 - 15mm Free Swing (72T550A)
 Half Overlay (Narrow)
 - Soft Close (71B960A)
 - Self Close (71T560A)

Hinge Mounting Plates: QTY: _____
 0mm Do not include mounting plates

Include Tip On Hardware: Yes QTY: _____

⑤ Decorative Hardware & Handles

- Drill for handle holes (Must specify handle location on pg 2)
- _____ Natural Anodized _____ Brushed Stainless & ORB _____ Various Finishes _____
- Knobs Bar Pulls Bar Pulls Finger Pulls
- K001 P1-127 P1-76S P2-42
- K005 P1-190 P1-192S P2-42S
- K006 P1-250 P1-320S P2-42ORB
- K007 P1-380 P1-76ORB P1-192ORB
- K008 P1-640 P1-320ORB Other
- K009 P1-880

QTY: _____

Item	Qty	Dimensions		in OR mm	Left (L)	Right (R)	Up (U)	Drawer (D)	Panel (P)	# Hinge Bore per Door	Element Designs Use Only	
		Width	Height								Price	Ext. Price
1					<input type="checkbox"/> L	<input type="checkbox"/> R	<input type="checkbox"/> U	<input type="checkbox"/> D	<input type="checkbox"/> P			
2					<input type="checkbox"/> L	<input type="checkbox"/> R	<input type="checkbox"/> U	<input type="checkbox"/> D	<input type="checkbox"/> P			
3					<input type="checkbox"/> L	<input type="checkbox"/> R	<input type="checkbox"/> U	<input type="checkbox"/> D	<input type="checkbox"/> P			
4					<input type="checkbox"/> L	<input type="checkbox"/> R	<input type="checkbox"/> U	<input type="checkbox"/> D	<input type="checkbox"/> P			
5					<input type="checkbox"/> L	<input type="checkbox"/> R	<input type="checkbox"/> U	<input type="checkbox"/> D	<input type="checkbox"/> P			
6					<input type="checkbox"/> L	<input type="checkbox"/> R	<input type="checkbox"/> U	<input type="checkbox"/> D	<input type="checkbox"/> P			
7					<input type="checkbox"/> L	<input type="checkbox"/> R	<input type="checkbox"/> U	<input type="checkbox"/> D	<input type="checkbox"/> P			
8					<input type="checkbox"/> L	<input type="checkbox"/> R	<input type="checkbox"/> U	<input type="checkbox"/> D	<input type="checkbox"/> P			
9					<input type="checkbox"/> L	<input type="checkbox"/> R	<input type="checkbox"/> U	<input type="checkbox"/> D	<input type="checkbox"/> P			
10					<input type="checkbox"/> L	<input type="checkbox"/> R	<input type="checkbox"/> U	<input type="checkbox"/> D	<input type="checkbox"/> P			
11					<input type="checkbox"/> L	<input type="checkbox"/> R	<input type="checkbox"/> U	<input type="checkbox"/> D	<input type="checkbox"/> P			
12					<input type="checkbox"/> L	<input type="checkbox"/> R	<input type="checkbox"/> U	<input type="checkbox"/> D	<input type="checkbox"/> P			

Special Instructions:

Knobs/Pulls:	
Hardware:	
Shipping:	
TOTAL:	

Hinge and Handle Specs

Please make copy and fill out 1 sheet for each different boring pattern.

Line Item # _____ (from pg 1) Customer Line Item # _____
(if applicable)

Hinge Borings

X1 = _____ (std=7/8") OR B = _____ (std=5 mm)

X2 TOP/LEFT = _____ (minimum = 3")
(std = 3 1/2")

X2 BOTTOM/RIGHT = _____ (minimum = 3")
(std = 3 1/2")

X3 = _____ (optional)

X4 = _____ (optional - not shown)

X5 = _____ (optional - not shown)

Handle Borings

of Holes: _____

K1 = _____ (Knob or Pull)
(Std = centered on frame)

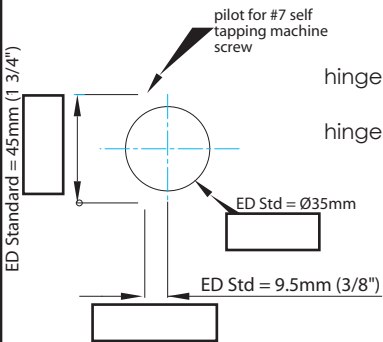
K2 = _____ (Knob or Pull)
(Min = 2 1/4") (Std = 2 1/2")

KC = _____ (Pull only)
(center to center distance)

Handle Hole Diameter = 11/64"

Contact Element Designs for special hardware borings (e.g. lift-up systems)

Hinge Boring Spec

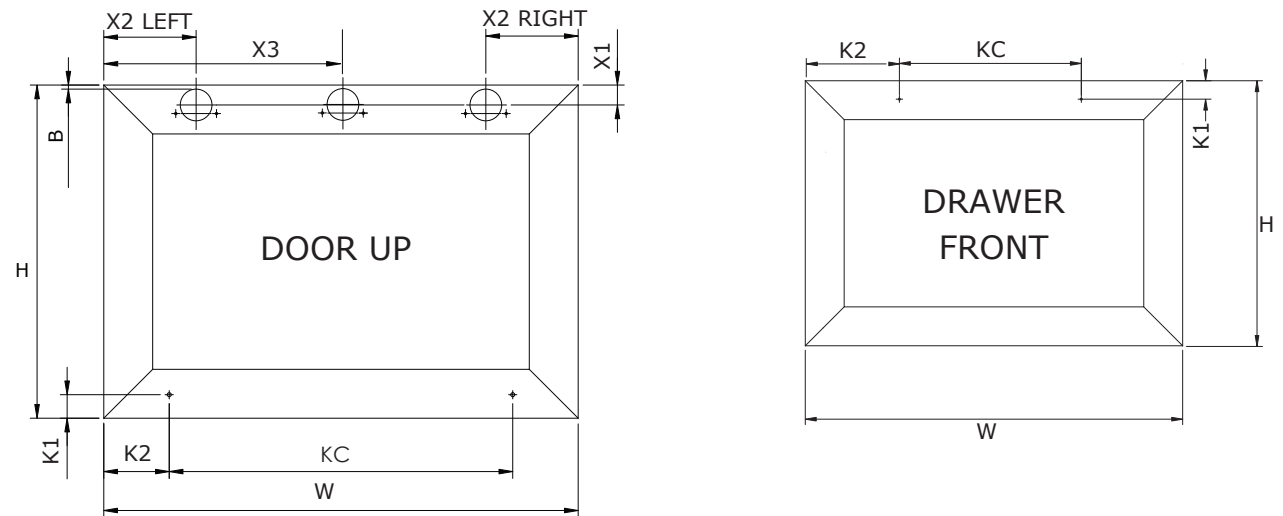
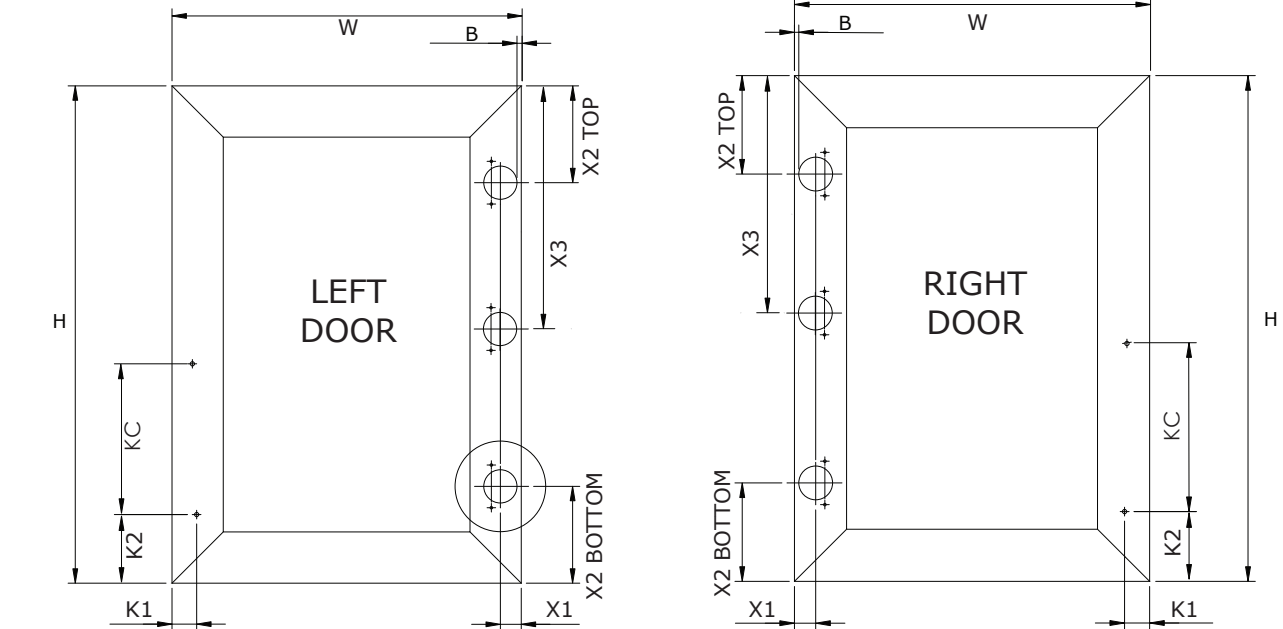


hinge mfg: _____

hinge part #: _____

** Hinge screws are included with each order **

BACK OF DOOR/ DRAWER FRONT SHOWN



for additional information or customer support
please call: (704) 332-3114
or (877) 332-3396