

**CASTERS**

**CASTERS WITH RUBBEREX WHEELS**

A rubber wheel with a soft rubber tread and a hard rubber core. For light duty application or where a cushioned effect is required & quiet movement is necessary. Unique King Pin Design, corrosion resistant, general purpose, deeply formed single raceway, hardened ball-bearing. 90-225 lbs.

Dimensions for Rubberex Swivel & Rigid Casters:

Wheel Size	Wheel Dia x Face	Load/Caster	Overall Height
2"	2" x 1"	90 lb	2-7/16"
2-1/2"	2-1/2" x 1-1/8"	100 lb	3-1/4"
3"	3" x 1-1/4"	175 lb	3-13/16"
4"	4" x 1-5/16"	225 lb	5"

**SWIVEL SERIES**

Code	Size	Ctn	List/ea
CGD20RS	2"	24 ea.	\$ 3.59
CGD25RS	2-1/2"	18	5.33
CGD30RS	3"	12	8.61
CGD40RS	4"	6	12.87



**RIGID SERIES**

Code	Size	Ctn	List/ea
CGD20RR	2"	24 ea.	\$ 3.70
CGD30RR	3"	18	6.47
CGD40RR	4"	12	12.98



**TOP PLATE DIMENSIONS**

Wheel Size	Swivel	Rigid
2"	1-7/8 x 2-9/16	1-1/2 x 2-21/32
2-1/2"	2-3/4 x 3-15/16	2-1/4 x 4-7/16
3"	3-1/8 x 4-1/8	2-1/2 x 4-15/16
4"	4 x 5-1/8	3-1/8 x 6-1/4

**SWIVEL SERIES w/Side Brake**

Code	Size	List/ea
CGD20RSB	2"	\$ 3.59
CGD30RSB	3"	7.51
CGD40RSB	4"	12.36



Dimensions & Load Cap same as Swivel Series without side brake.

**SEMI-STEEL WHEEL CASTERS**

High quality wheel with semi-steel castings. A good choice for heavy loads. Corrosion resistant, general purpose, deeply formed single raceway, hardened ball-bearings.



Pack: 4 each/ctn.

Code	Wheel Dia. x Face	Load/Caster	Overall Height	List/ea
CGD30SS	3" x 1-5/16"	250 lbs.	3-13/16"	\$ 15.07
108-4	4" x 1-1/2"	450 lbs.	5"	31.83

**PLATE TYPE FURNITURE CASTERS**

Rubberex Wheels

Easy swiveling, double ball-bearing construction. Zinc finish. Top Plate: 1-3/16" x 2". Bolt Holes: 13/16" x 1-9/16".



#9459R,  
#94520R

Pack: 4 each/ctn.

Code	Wheel Dia. x Face	Load/Caster	Overall Height	List/ea
9459R	2" x 7/8"	80 lbs.	2-5/8"	\$ 8.16
94520R	3" x 13/16"	90 lbs.	3-19/32"	24.80

**PIANO CASTER**  
With Rubberex Wheels

Top plate: 2-3/4" x 4". Copper oxidized.



479-2

Pack: 4 each/ctn.

Code	Wheel Dia. x Face	Load/Caster	Overall Height	List/ea
479-2	2" x 7/8"	160 lbs.	2-13/16"	\$ 17.07

**CASTERS**

**LIGHT/MEDIUM DUTY  
SWIVEL CASTERS**



CLMA40P1RS

Aluminum hub, gray non-marking wheels, double raceway ball-bearing, yoke cups seal, annular ball-bearing wheel. 225-250 lb load capacity per each caster.

Wheel Size	Wheel Dia. x Face	Plate Size	Overall Height	Swivel Radius
3-1/2"	3-1/2" x 1-1/4"	3-5/8" x 2-1/2"	4.75"	3-1/16"
4"	4" x 1-1/4"	3-5/8" x 2-1/2"	5.125"	3-5/16"

Code	Wheel	Load/Caster	List/ea
CLMA35P1RS	3.5"	225 lbs	\$ 22.97
CLMA40P1RS	4"	250 lbs	23.79

**METAL FURNITURE CASTERS**

With Rubberex Wheels

**Threaded Stem Caster:**  
Wheel dia. x Face: 2" x 7/8"  
Overall height: 2-17/32"  
Stem: 3/8-16 x 1-1/2"  
Load Cap: 80 lbs. each

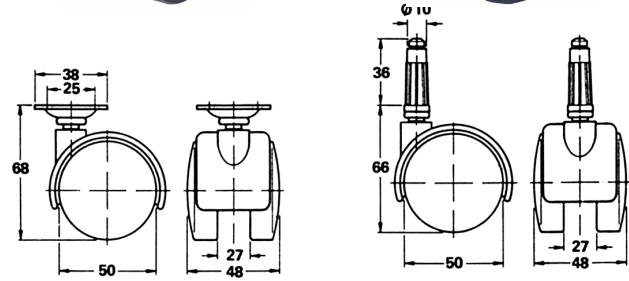


EY459

Rubberex Wheels: with a soft rubber tread and a hard rubber core. Self-lubricating bearing wheel. Double ball-bearing raceways. Pack: 4 each.

Code	Wheel	Load/Caster	List/ea
EY459	2"	80 lbs	\$ 11.47

**TWIN-WHEEL CASTERS**



Choose from screw-on plate or knock-in socket attachments, with or without brake. Cover is made of polypropylene, and the wheels are made of nylon. Wheel diameter: 2". Load Capacity: 550 lbs/set of four. Carton Qty: 48 each.

Code	Caster	Finish	List/ea
1238	Socket Stem	Black Matte	\$ 1.95
1237	Plate	Black Matte	2.11

**With Brake:**

Code	Caster	Finish	List/ea
1236	Socket Stem	Black Matte	\$ 2.53
1235	Plate	Black Matte	3.10

**PLATE STYLE - SPHERICAL WHEEL**



Metal-hooded rubber ball caster combines load capacity and style into one caster. Non-marking spherical wheel and double ball-bearing raceway caster provide easy movement of heavy loads. Use on sofas, chairs or heavy chests. Hardware finish is bright brass. Pack 10 per box.

Code	Wheel	O/A Ht.	Capacity	List/ea
CH15P2BR	1-1/2"	2-1/8"	90 lbs.	\$ 3.86
CH20P2BR	2"	2-1/2"	90	4.15

**CASTERS**

**FURNITURE DOLLY**

Thick carpeting protects furniture against scratching and marring. Extra wide 6" end rails give added support under heavy loads. Solid 1" kiln-dried hardwood frame. Shaped inside edge for easy handling. Plastic 3" wheels are non-marking. Load Capacity: 700 lbs. Frame Size: 18" L x 30" W.

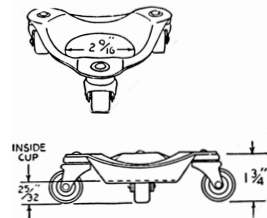


<u>Code</u>	<u>Ctn</u>	<u>List/ea</u>
DL31830-MS	1 ea.	\$ 46.55

**DOLLY CASTER**



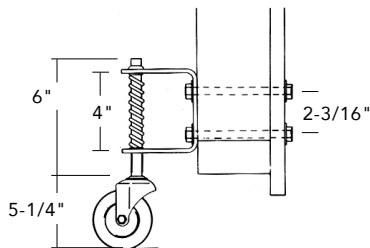
AS355



Used for moving heavy furniture & appliances. Low overall height permits easy placement under unit to be moved. Formed for extra strength. Pressed steel. Corrosion resistant. Load Capacity: 200 lbs. Wheel Dia. x Face: 1-1/4" x 9/16"

<u>Code</u>	<u>Ctn</u>	<u>List/ea</u>
AS355	4 ea.	\$ 19.90

**GATE WHEEL - 4" Dia.**



CGSL4  
4" Dia.

The Gate Wheel is ideal for uneven walkways. Helps support heavy gates. (Spring must be fully depressed to install.) Overall Ht: 11-1/4". Rubber wheel.

<u>Code</u>	<u>Load Cap</u>	<u>Wheel Dia.</u>	<u>List/ea</u>
CGSL4	240 lbs.	4"	\$ 43.41

**TOE KICK**

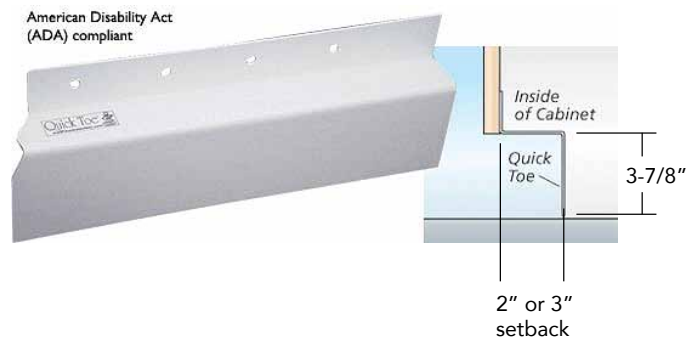
**TOE KICK FOR ADA SINK BASE DOORS**

Prefabricated



Pre-manufactured recessed toe kick for ADA sink base doors. Made of durable, lightweight polystyrene. ADA compliant. 1/4" adjustment in all directions to reflect door gap distances, floor and floor covering conditions.

Trimmable up to 6" each door side at hinge end. White finish, but can be laminated, painted, or covered with rubber or vinyl toe base. Available in 2" or 3" setback. Sold in sets of 1 right and 1 left hand toe kick. White trusshead screws included.



<u>Code</u>	<u>Inside Cabinet</u>		<u>Setback</u>	<u>List/set</u>
	<u>Side-to-Side Total Width</u>	<u>Trimmable To Fit Openings</u>		
TK36-2	34-1/2"	36" down to 24"	2"	\$ 36.40
TK36-3	34-1/2"	36" down to 24"	3"	36.40
TK48-2	46-1/2"	46" down to 36"	2"	42.46
TK48-3	46-1/2"	46" down to 36"	3"	42.46



**CABINET LEVELERS**

**CAMAR CABINET LEVELER**

Black Plastic Leg & Black Plastic Foot  
With 35mm Press Fit Socket



840-F2-00  
Socket

35mm x 12mm hole required  
for press fit portion of socket.  
Socket outside diameter = 48mm.



448-10-P2  
4" to 6-11/16"  
height adjustment

Black plastic leg is adjustable from 4" to 6-11/16" in height. Load capacity: 650 lbs (per 4 levelers). Black plastic socket press-fits into 35mm x 12mm hole.

One Set = 1 ea. leg, 1 ea. foot, and 1 ea. socket:

Order (1) 448-10-P2 and (1) 840-F2-00 for complete set. Order toe kick separately.

Code	Description	Ctn	List
448-10-P2	Shaft, Insert & Foot	100 sts.	\$ 2.22
840-F2-00	Socket	100 ea.	1.22

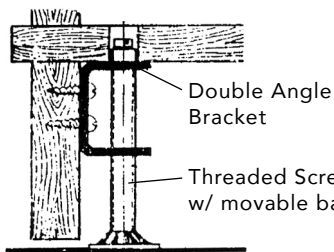
**TOE KICK CLIP**

Groove-mount. Carton: 100 ea.

Code	List/ea
202-AN-C2	\$ 1.10

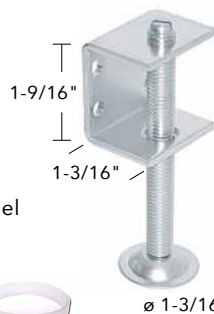


**BASE ELEVATING SCREW**



Double Angle Bracket

Threaded Screw, galv. steel w/ movable baseplate



1-9/16"

1-3/16"

ø 1-3/16"



Protective Cap

Pack: 100/ctn.

Code	Description	List/ea
RL260GS	Double Angle Bracket w/ four fixing holes	\$ 1.02
RL22410X70	Threaded screw, 2-3/4"	1.23
RL22410X90	Threaded screw, 3-9/16"	1.51
RL225	Protective Cap, polythene, 1/4" Ht, 1-5/16 Dia.	.16

**PLASTIC LEG LEVELER SYSTEM**

Load Capacity: 1500 lbs/set of 4

Heavy gauge plastic leg levelers with a load capacity of 375 lbs. per leg or 1500 lbs. per set of 4. Legs have a locating lug that allow you to adjust all legs to a 4-1/4" starting point. Legs can be adjusted from 3-7/8" to 6". Optional leg extender allows adjustment to 7-1/2". Black in color.



#5600-000

**#5600-000 Leg Leveler Set**  
includes Top, Tube and Bottom.



Leveler Top



Leveler Tube



Leveler Bottom



#5675-000  
Leveler Extender.  
Allows adjustment  
to 7-1/2".



#5696-000  
Screw-On Toe Kick Clip.  
Snaps on to leg.

Code	Caster	Ctn	List
5600-000	Screw-On Leveler Set*	1 set/bg	\$ 3.35/st
5675-000	Leveler Extender	100	1.10/ea
5696-000	Screw-On Toe Kick Clip	100	1.20/ea

\*One set consists of: 1 top, 1 tube & 1 bottom.

**CABINET LEVELERS**

**CAMAR CABINET LEVELERS**



400-025

Camar levelers provide a load capacity of up to 850 lbs./385 kg per cabinet. Levelers screw on the bottom of the cabinet. They are adjustable from either the inside or the outside of the cabinet with a long shaft screwdriver.

Pack: Each kit outfits one base cabinet.  
Ctn: 10 kits per carton.

400-023B List \$ 31.44/bg  
Contains 4 metal legs, plastic sockets, screw-mount toe kick clips, cover caps, with hollow screw and instructions.

400-024B List \$ 31.56/bg  
Same as 400-023B but with groove-mounting toe kick clips.

400-025 List \$ 43.26/bg  
Contains 4 metal legs, metal sockets, groove-mount toe kick clips, cover caps, with hollow screw and instructions.

400-026B List \$ 34.02/bg  
Same as 400-025 but with screw-mounting toe kick clips.

400-027B List \$ 34.41/bg  
Same as 400-025 except with wood screw mounting (instead of hollow screw).

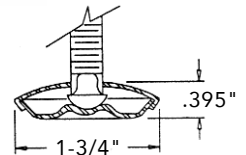
**LEG LEVELERS**

**LEG ADJUSTER**

Heavy Duty Leveling Leg Adjuster.



Thread: 3/8" - 16  
Steel base, zinc plated  
Base: 1-3/4" O.D.  
500 ea. per carton.  
May be used with T-Nuts (59053 for ex.) or threaded bases.



Code	Bolt Length	Ctn	List/C
LA-175	1-1/2"	500 ea.	\$ 106.16
LA-175-2	2"	300	104.48

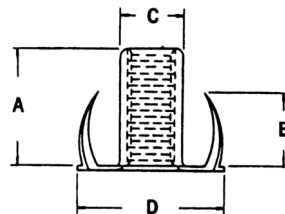
**T-NUTS**



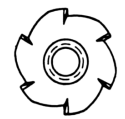
T38-16



T14-20



4-Prong Type



6-Prong Type

These one-piece threaded fasteners provide steel threads in wood for fast and secure assembly of components. Stamped from heavy gauge steel. Precision threaded and designed with a bevelled barrel for easier insertion. Special curved twist-type prongs bite tightly into wood. Zinc plated.

756HB\*: Pack: 1000 ea.  
T14-20 and T38-16: Pack: 500 ea.

**6 Prong:**

Code	Thread Size	A	B	C	D	List/C
756HB*	10-24	13/32	1/4	.23	3/4	\$ 12.36
T14-20	1/4-20	7/16	7/32	.305	3/4	19.71

**4 Prong:**

T38-16	3/8-16	7/16	5/16	.440	1	43.56
--------	--------	------	------	------	---	-------

\*Discontinued when out



**TACK GLIDES**

**ADJUSTABLE GLIDES**

Floor is protected by plastic base. Zinc plated stud is 1/4-20 x 1". Nickel plated shell has a 1-1/8" outside diameter.



<u>Code</u>	<u>Ctn</u>	<u>List/ea</u>
7832-4-1	100 ea.	\$ 1.12

A silent shock-absorbing adjustable glide for straight legs with the stud completely encased. Zinc plated stud is 1/4-20 x 1". Nickel plated solid shell is 1-1/4" outside diameter. Base is also nickel plated.



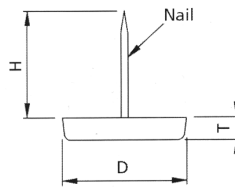
<u>Code</u>	<u>Ctn</u>	<u>List/ea</u>
7504-4-24	100 ea.	\$ 2.20

**STANDARD NAIL GLIDE**

White Nylon Glide



White Nylon



D = 5/8", 3/4", 7/8" dia.  
H = 3/4" nail length  
T = 6mm thickness of glide

<u>Code</u>	<u>Dia.</u>	<u>Ctn</u>	<u>List/M</u>
53813WH	5/8"	1000	\$ 35.66
53814WH	3/4"	1000	44.73
53815WH	7/8"	1000	43.35

**SINGLE PRONG GLIDE**

Tough steel, nickel plated. 5/8" Long shank.

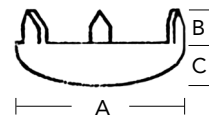


<u>Code</u>	<u>Dia.</u>	<u>Ctn</u>	<u>List/C</u>
6112	1/2"	4000	\$ 5.16
6158	5/8"	4000	6.67
6134	3/4"	4000	12.06

**3-PRONG GLIDES**

Heavy gauge polished steel

Pack: 4000 ea.



<u>Code</u>	<u>A (Dia)</u>	<u>B</u>	<u>C</u>	<u>List/C</u>
78-3HB*	7/8"	1/4"	1/4"	\$ 7.24

\*Discontinued when out

**13 PLASTIC THREADED INSERTS**



Threaded Insert



Shown with glide  
(Glide not included)

Rounded threaded insert for wood or die cast holes. Natural Nylon for 3/8" hole. (Glide not included.) For use with 1/4-20 threads.

<u>Code</u>	<u>Ctn</u>	<u>List/ea</u>
1313-49	100 ea.	\$ .40

**TABLE LEGS**

**TABLE LEGS - CHROME**

Peter Meier/Camar

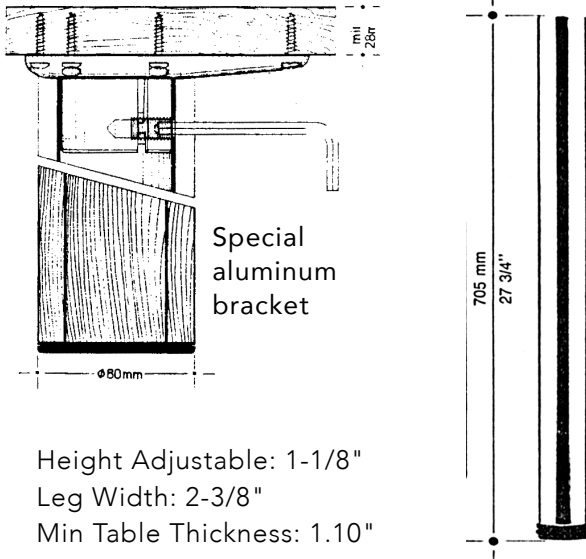
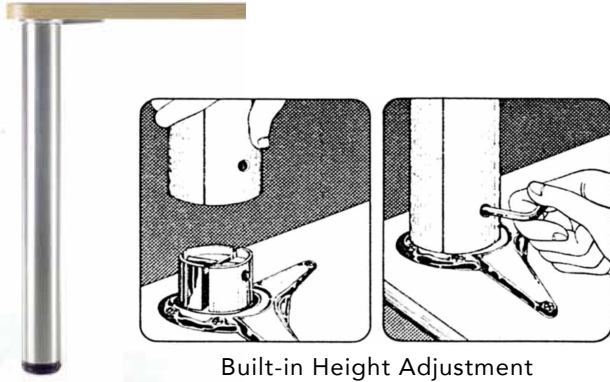


Table legs with built-in height adjustment to eliminate shimming. Easily installed by screwing them to the underside of the table-top.

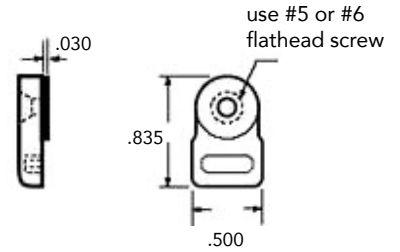
Load Capacity: 660 lb. per leg. Legs are 27-3/4" but are adjustable to a maximum of 28-7/8". Each set includes 4 legs, 1 ea. allen wrench, and 7 x 10-1" screws per leg. One set per carton. Other colors and sizes available special order.

Code	Description	Leg Dia.	List/set
330-70-CH	Chrome Table Legs, 4 ea/set.	2-3/4"	\$ 102.35

**INSET DOOR STOPS**

**INSET DOOR STOP**

Tenn-Tex



Door stop for cabinet inset doors. Clear in color. Uses #5 or #6 flathead screws (sold separately).

Code	Ctn	List/C
T230	1000 ea.	\$ 12.79

**INSET EURO DOOR STOP** Fastcap  
"Cam" adjustable inset stop

ED-BR



ED-CL



Designed for use with inset cabinets. Simply screw inside cabinet and rotate to adjust where you want the cabinet door to shut.

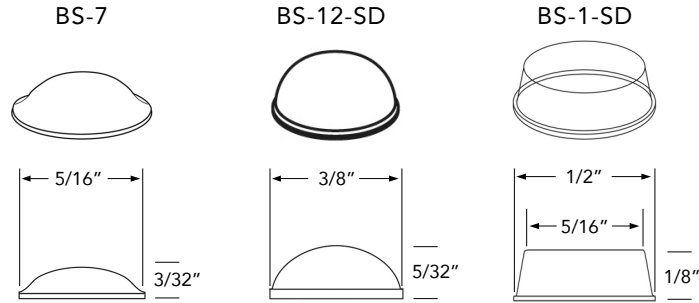
Code	Color	Ctn	List/ea
ED-BR	Brown	100 ea.	\$ .20
ED-CL	Clear	100	.44



**BUMPERS & PADS**

**CLEAR PLASTIC BUMPERS**

Bumper Specialties



Must order per sheet.

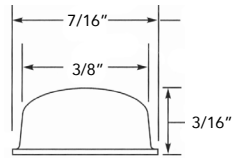
Code	Ht.	Dia.	Sheet	List/C
BS-7	3/32"	5/16"	450 ea.	\$ 4.77
BS-12-SD	5/32"	3/8"	200	7.41
BS-1-SD	1/8"	1/2"	200	7.25

**BS-2 CLEAR PLASTIC BUMPERS**

Bumper Specialties



BS-2



Pressure Sensitive Adhesive

The BS-2 clear, plastic bumper is 7/16" in diameter and 3/16" high. The height of this bumper works well with Salice compact hinges.

There are 242 bumpers per pad and 5082 bumpers per Ctn. Must order in increments of 242.

Code	Ht.	Dia.	Sheet	Ctn	List/C
BS-2	3/16"	7/16"	242 ea.	21 sheets (5082 ea.)	\$ 7.26

**EXTRA SOFT BUMPER**

Bumper Specialties

Made of 100% polyurethane resin. Extra soft yet extremely tough. Adhesive backed.



BS-58SD

Must order in increments of 200.

Code	Ht.	Dia.	Sheet	List/M
BS-58SD	3/16"	1/2"	200 ea.	\$ 78.44

**GRASS PLASTIC BUMPERS**

Slightly Opaque



31002



31004

Must order in increments of 50 (1 sheet).  
10 sheets per Ctn (500 ea.)

Code	Ht.	Dia.	Sheet	Ctn	List/M
31002	1/8"	7/16"	50 ea.	10 sheets	\$ 104.98
31004	1/16"	7/16"	50 ea.	10 sheets	90.92

**GRASS AIR SOFT CLEAR BUMPER PADS**

Unique cushion action.  
480 per bag.



63480

Must order per bag.

Code	Ht.	Dia.	Bag	List
63480	1/8"	3/8"	480 ea.	\$ 52.94/bg

**DECCO FELT HINGE PADS**

Brown or white felt hinge pads.  
Diameter: 3/8". Sold in 400 or 5000 piece rolls. Complete rolls only.



Code	Color	Thick	Roll	List/RI
PADS	Brown	3/32"	400	\$ 4.45
PADS-5M	Brown	3/32"	5000	62.18
PADS WH	White	1/8"	400	4.97
PADS-5M WH	White	1/8"	5000	67.62