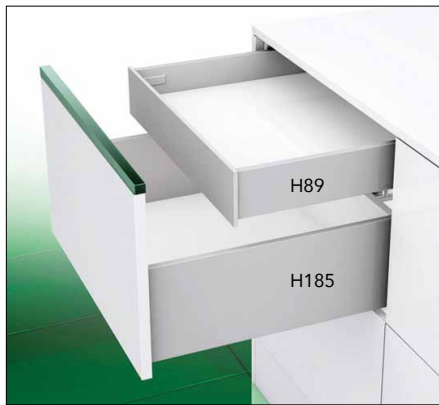


G*GRASS® Vionaro Drawer System

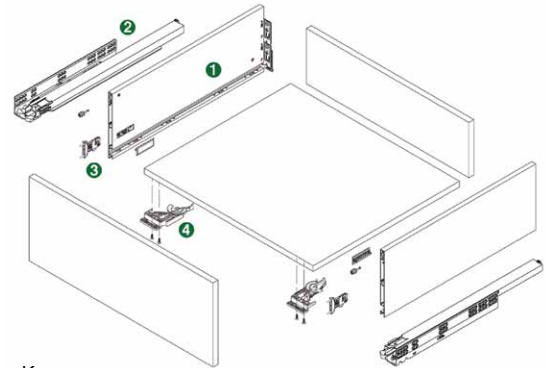
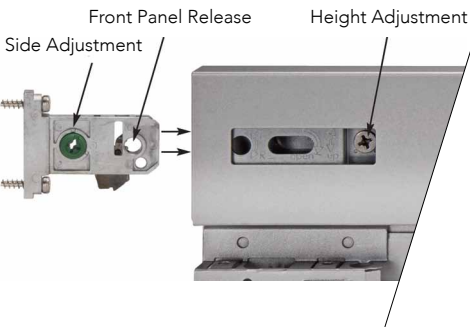
Sales Bulletin
July 2016



- Uses standard DynaPro 2D undermount slides - Load Cap: 100 lbs.
- Slim, 1/2" side width, 90° straight corners and sides
- Built-in height and side adjustment, tilt adjustment at back
- Tool free assembly
- Maximum 48" drawer width
- For frame and frameless cabinetry
- Silver grey finish
- Available in 3-1/2" and 7-1/4" side heights

Front of Side Panel

Rear of Side Panel



Key

1. Drawer Sides (Left/Right - 7-1/4" Ht. shown)
2. DynaPro Slides (2-D)
3. Adapter Set: Front Adapters (2x)
Cover Caps (2x)
Front stabilizers (2x - for V185)
4. Front Clips with flange

Vionara Drawer Sides - Silver Grey finish

Order 1 Side Set (L/R), DynaPro Slides, Adapter Set and Front Clips separately. 10 sets/Ctn.

3-1/2" side height

Code	Height	Length	List/st
V89-15S	3-1/2"	15"	\$ 47.24
V89-18S	3-1/2"	18"	47.99
V89-21S	3-1/2"	21"	48.61

7-1/4" side height

Code	Height	Length	List/st
V185-15S	7-1/4"	15"	\$ 77.57
V185-18S	7-1/4"	18"	79.34
V185-21S	7-1/4"	21"	80.61

DynaPro Slides - 5 prs/Ctn (for metal or wood drawers)

Code	Load Cap.	Length	List/pr
DP-15	100 lbs.	15"	\$ 34.57
DP-18	100 lbs.	18"	35.19
DP-21	100 lbs.	21"	35.77

Adapter Sets Silver Grey finish, 50 sets/Ctn.



Code	Description	List/st
V89-AS	Adapter Set for 3-1/2" side height, Includes: Front adapters, Cover Caps	\$ 8.32
V185-AS	Adapter Set for 7-1/4" side height, Includes: Front adapters, Cover Caps, Front stabilizers	10.85

Front Clips with Flange



1 LH/RH clip per set.

Code	Ctn	List/st
DP-V	5	\$ 3.27

Vionaro Drawer System - Accessories

For Inset Drawers

Inset Drawer Accessory Set

Consists of:

- 2 ea. Cover caps
- 1 st. Front locking devices (L/R)
- 2 ea. Front connectors
- 4 ea. Special screws
- 1 ea. Front Bottom connector
- 2 ea. End caps



Code	Ctn	List/st
V89-DAS	50	\$ 22.47

Inset Front Panel

45-11/16" (1160mm)
cut to size, Silver Grey



Code	Ctn	List/ea
V89-DFS	10	\$ 59.63

Depth Adjuster

- Gives +4.5mm forward adjustment

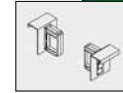


Snaps onto slide

Code	List/pr
DP-I	\$ 5.04

Cross Divider Rails / Holders

- Cross-divider for all Vionaro drawers
- Simple installation by mounting on the drawer side
- Tool-free adjustment
- Silver grey finish



Code	Description	Ctn	List
V-CDS	Cross Divider Rail, 44-1/4" (1124mm), cut to size	10	\$ 28.29/ea
V-HS	Holdes for Divider Rail	200	5.59/st

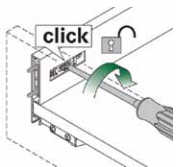
Front Marking Jig



- 2 marking jigs for both 3-1/2" and 7-1/4" heights

Code	List/st
V-FMJ	\$ 33.24

Removing the Drawer Front



Use a poizdrive screwdriver to release drawer front, and for all adjustments

Drawer Measurements

7-1/4" side height

3-1/2" side height

