



VS Sub Slim Pull Out Storage



Two Storage Racks
90004110



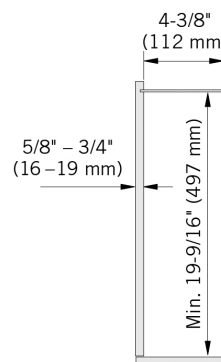
Towel Holder
90004111



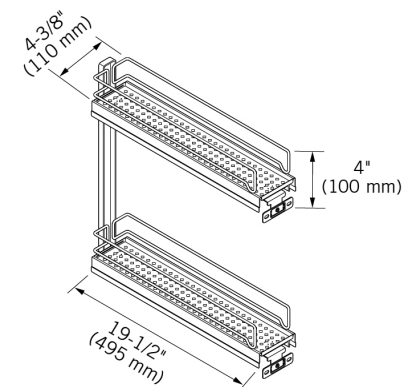
Baking Tray Holder
90004112

- Side Mount installation
- Min Opening width: 4-3/8" (112mm)
- Installation depth: min. 19-1/2" (495mm)
- Installation height: min. 20-15/16" (532mm)
- Easy, tool-free installation
- 3D front adjustment allows simple, convenient front adjustment
- Integral soft closing and self closing on both runners
- Load cap: 13 lbs. max per shelf element

Cabinet Dimensions



Product Dimensions



Code	Description	List/ea
90004110	Sub Slim, w/ 2 Chrome Racks	\$ 231
90004111	Sub Slim, w/ Chrome Towel Holder	231
90004112	Sub Slim, w/ Chrome Baking Tray Holder	231