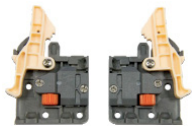




Sales Bulletin
Aug 2020

8000 Undermount Slide Soft-Close, Full Extension, 90 lbs.



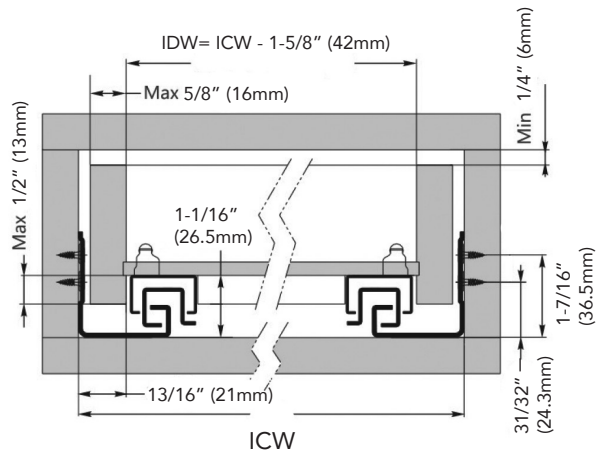
Clips
Included

- Full extension, 90 lb. rating
- Front locking clips are included
- Height adjustable (0 ~ +3mm)
- Elongated holes for depth/inset adjustment
- 4 Sizes: 12" - 21"
- Rear bracket (optional)

Outside Drawer Width

Drawer Side Thickness	5/8" (16mm)	1/2" (13mm)
Inside Cabinet Width Deduction	3/8" (10mm)	5/8" (16mm)

Drawer Length	Runner Length	Inside Cabinet for rear bracket	
		Max Depth	Min Depth
12"	12-1/2" (317mm)	14-9/16" (369mm)	12-7/8" (326mm)
15"	15-1/2" (394mm)	17-9/16" (446mm)	15-7/8" (403mm)
18"	18-1/2" (470mm)	20-9/16" (522mm)	18-7/8" (479mm)
21"	21-1/2" (546mm)	23-9/16" (598mm)	21-7/8" (555mm)



Installation for drawers between 1/2" - 5/8" (12.7mm-16mm) thick drawer sides

IDW = Internal Drawer Width
ICW = Internal Cabinet Width

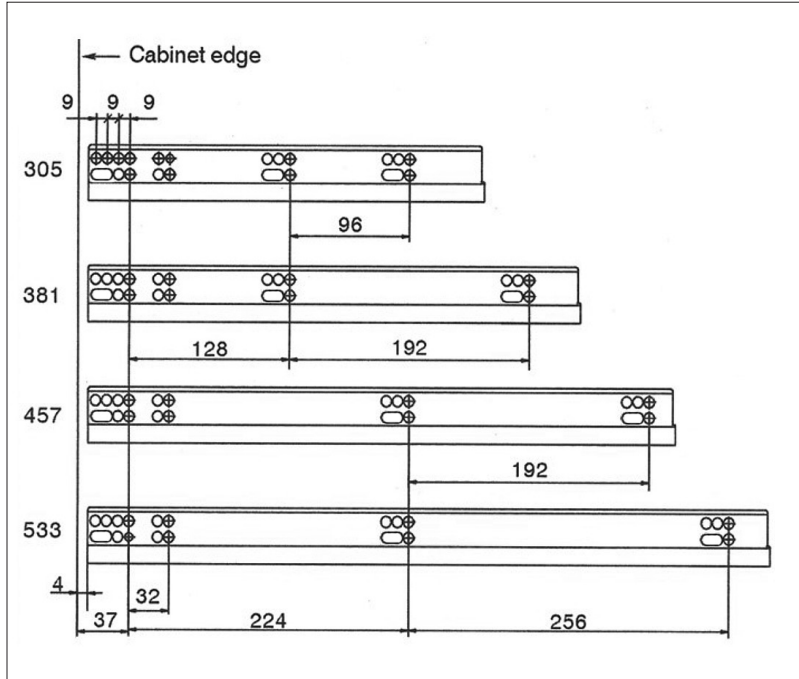
Slides: Pack 6 pr/Ctn. Brackets: 100 pr/Ctn.

Code	Description	List/pr
8000-12-SOFT	12" Soft Close w/ clips	\$ 20.20
8000-15-SOFT	15" Soft Close w/ clips	22.05
8000-18-SOFT	18" Soft Close w/ clips	21.23
8000-21-SOFT	21" Soft Close w/ clips	22.87
RMB	Rear Brackets	.81

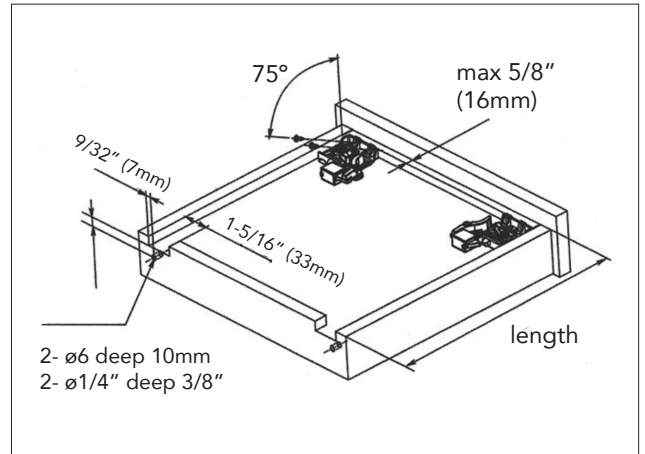


Slide Specifications / Installation

Hole Pattern



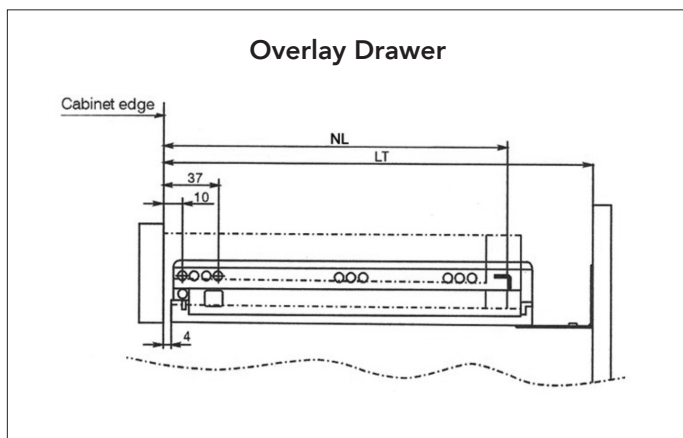
Drawer Size & Boring



Installation Dimensions

NL = nominal slide length LT = internal cabinet depth

Overlay Drawer



Inset Drawer

