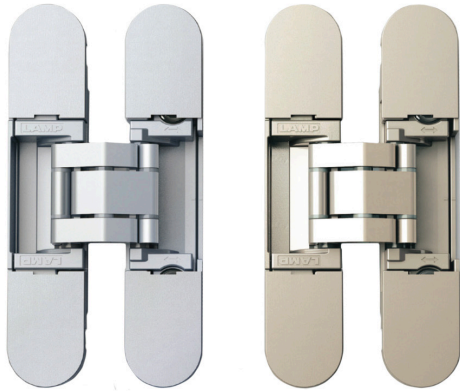




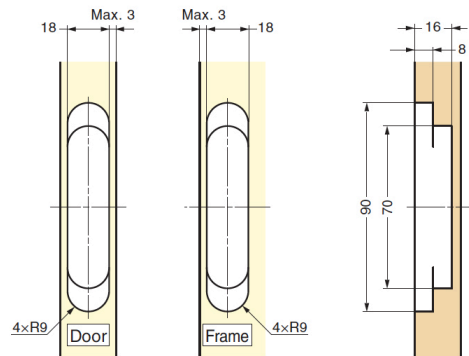
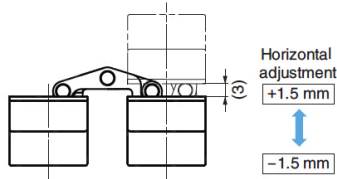
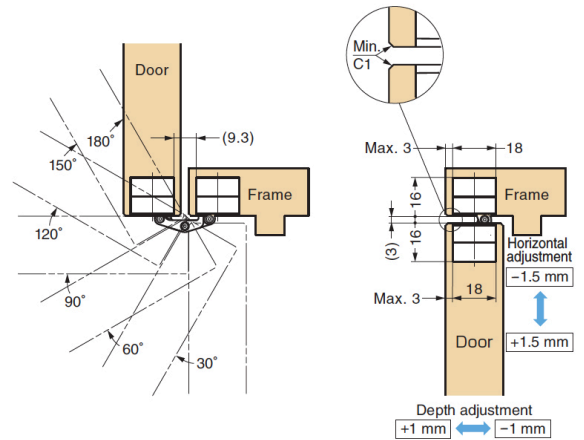
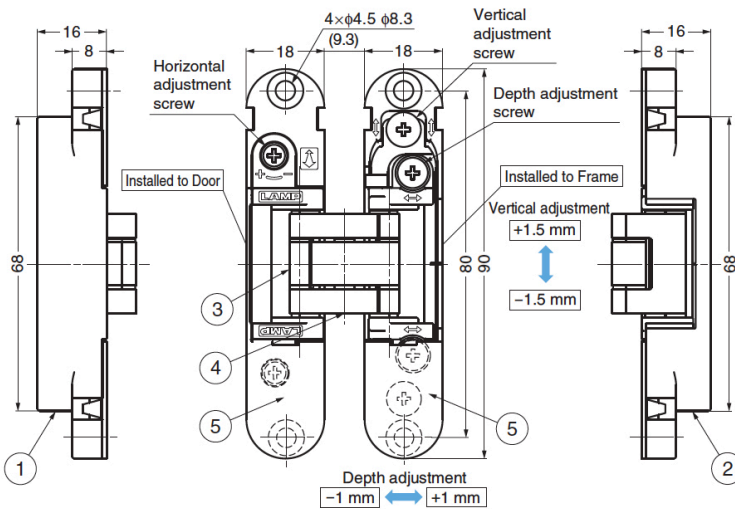
3-Way Adjustable Concealed Hinges
HES3D-90: for 23mm Thick Doors (7/8") min.

Sales Bulletin
March 2017

Special Order



- 3-Way Adjustment:
 - Horizontal: -1.5 ~ +1.5mm
 - Vertical: -1.5 ~ +1.5mm
 - Depth: -1 ~ +1mm
- Max Door Weight:
 - 26 lbs/ 2 hinges
 - 35 lbs/ 3 hinges
- Opening Angle: 180°
- Easy Installation: Temporary door holding feature
- Cover hides all screw heads for clean appearance
- Min Door Thickness: 23mm (7/8")



No.	Part Name	Material	Finish	
			DC	DN
①	Body	Zinc Alloy (ZDC)	Satin Chrome	Satin Nickel
②	Base Frame	Zinc Alloy (ZDC)	Satin Chrome	Satin Nickel
③	Arm	Zinc Alloy (ZDC)	Satin Chrome	Satin Nickel
④	Shaft	Stainless Steel	-	-
⑤	Cover	ABS	Satin Chrome	Satin Nickel

Code	Finish	List/ea
HES3D-90DC	Satin Chrome	\$ 60
HES3D-90DN	Satin Nickel	55
HES3D-90BL	Black	55