



Sales Bulletin
July 2016

HD 300 - Top Sliding for Industrial Doors

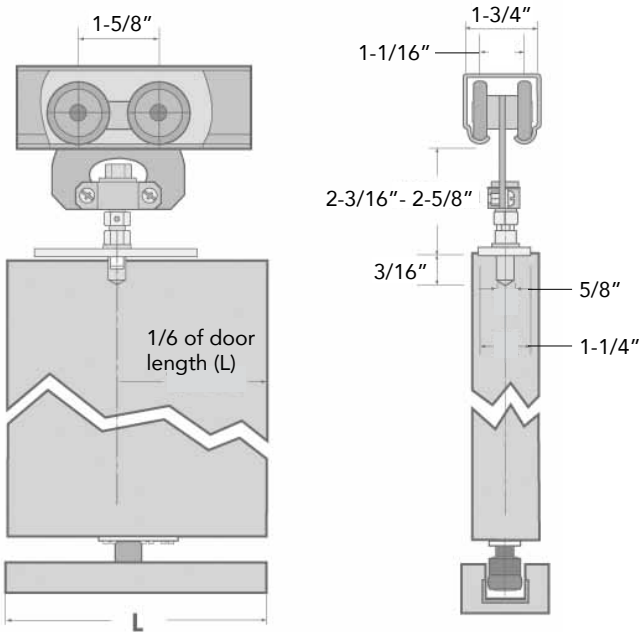
660 lb. Load



Top sliding system with tempered steel wheels covered in nylon for doors up to 660 lbs. The mounting plate can be welded.

Use on Wood or Metal Doors for Exterior Barn Door, Garage, or Access Doors applications.

Can be installed overlay using the U 300 Lateral support bracket. Use with Track U150 Smooth Heavy Duty Track.



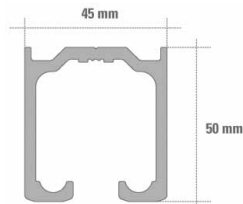
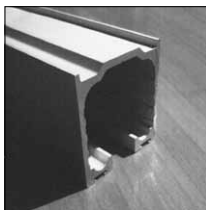
2012030000
Kit for One Door

List \$ 398

- Mounting plate allows for easy frontal installation
- The mounting plate can be welded or screwed
- Wheel of high hardness and durability
- No need for lubrication
- The right adjustment eliminates vibrations

TRACK U150 (SMOOTH) Heavy duty track, finished look

Use with: Tauro PLMD Wood, Tauro PLVD Glass, DN 150 CF, DN 150 VD and HD 300



Code	Description	List
2012030000	HD-300 Heavy Duty Carrier Kit for 1 Door	\$ 398.00
1010060569-08	Track U150 Smooth AL, 8'	\$ 218.79
10100605693	Track U150 Smooth AL, 9.85'	266.89
1010060569-12	Track U150 Smooth AL, 12'	392.25
10100605696	Track U150 Smooth AL, 19.7'	533.43