



Sales Bulletin
Sept 2017



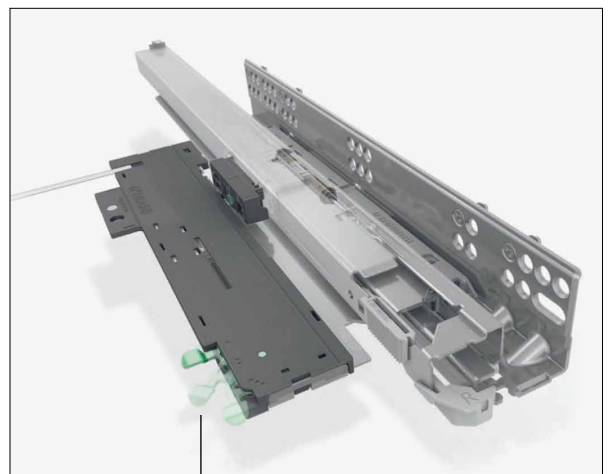
DynaPro Push To Open / Soft Close Sets
New Tipmatic sets for 5/8", 1/2" and 3/4" material

The new Tipmatic Soft-close opening system featuring push to open and soft close ensures elegant movement irrespective of the weight and size of the drawers.

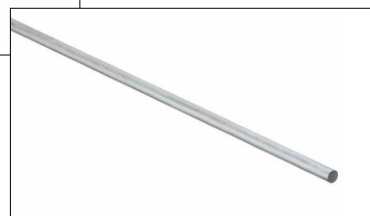
- Mechanical opening system for handle-free drawer fronts
- Combines Tipmatic function with Soft Closing
- **One kit adjusts for all weight classes: 0 to 132 lbs Dynamic**
- Compatible with 2D, 3D & HD DynaPro slides, 12" to 30" *
- Wide activation zone due to synchronization bar - push anywhere on the drawer front
- Tool-free assembly
- No new notching required
- Compatible with all existing DynaPro front locking devices

Order Tipmatic sets and synchronization bars separately.

*Note that this unit does not work with 9" slides.

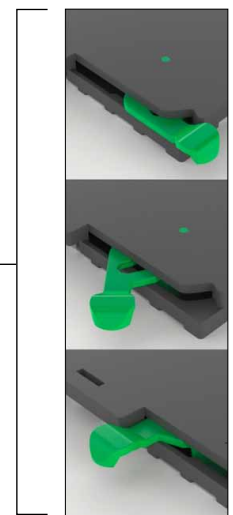


DP-TIPSC
Unit and Activator



DP-ROD
synchronization bar

3 step adjustment
opening force



<u>Code</u>	<u>Description</u>	<u>Ctn</u>	<u>List</u>
DP-TIPSC	Tipmatic unit & activator	10	\$ 71.67 /st
DP-ROD	Synchronization bar - cut to length, 37-1/2"	10	9.17 /ea