



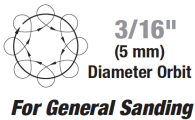
Dynorbital Supreme Sanders



56815

5" Pad Diameter. 3/16" and 3/32" Orbits available.

- **New** one-hand **speed control** allows "thumb control"
- Balanced Urethane sanding pad
- Max RPM: 12,000, **.28 HP**
- Rubber over-mold has a **non-slip** feel and insulates from cold. The air motor has vibration-absorbing rubber rings (Patent No. 5,319,888).
- Comfort Platform gives extra hand and wrist support



3/16"
(5 mm)
Diameter Orbit

For General Sanding



Look for **SILVER** Throttle Lever



3/32"
(2 mm)
Diameter Orbit

For Ultra-Fine Sanding



Look for **BLACK** Throttle Lever

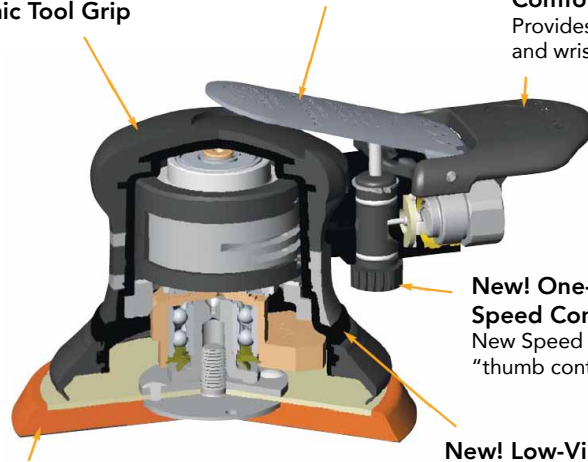
Specifications

HP.....0.28
 Max. Air Flow [SCFM].....18.0
 Max. RPM..... 12,000
 Pad Face..... Vinyl
 Tool Spindle Thread..... 5/16" - 24 Female
 Exhaust Type.....Rear
 Hose I.D. [inches].....1/4"
 Vacuum Type..... Non-Vacuum
 Width/Length..... 6.5
 Height..... 3.625
 Weight.....2 lbs.

New! Refined Ergonomic Tool Grip

Auto-Recess Throttle Lever
Lever recesses into housing grip when depressed. Color coded to identify tool orbit.

Comfort Platform
Provides additional hand and wrist support.



New! One-Hand Speed Control
New Speed Control dial allows "thumb control" of tool speed.

New! Low-Vibration Design
Tool grip fully covers tool housing.

Perfectly Balanced Sanding Pad
Perfectly balanced, weight-mated sanding pad with exclusive single-piece hub design. Smoother performance and minimal vibration.

<u>Code</u>	<u>Description</u>	<u>List/ea</u>
56815	5" Supreme Sander, 3/16" Orbit	\$ 281.00
56850	5" Supreme Sander, 3/32" Orbit	217.37