



Sales Bulletin
Jan 2019

**Update
May 2019**

Door Straighteners

Protect your doors from future warping with these door straighteners. They can help prevent doors from bending, due to warpage caused by heat and humidity. Pre-installed straighteners can also correct doors experiencing warpage.

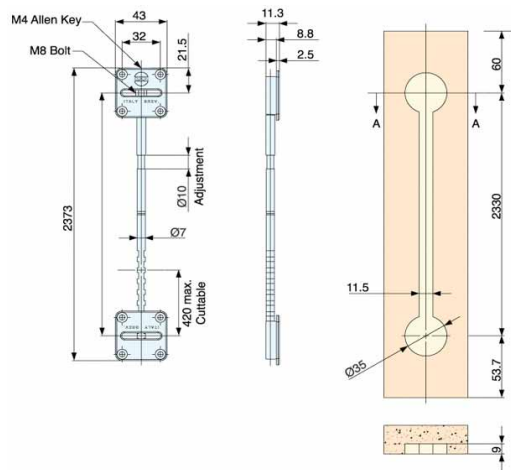
Straighteners are designed to be installed at the time of door manufacture, and can be used for swinging doors, sliding doors or lateral opening doors.

- +/- 10mm (3/8") adjustment can be made; adjustable at the top of door with M4 allen key
- For door height 80-96", bar must be cut to length, up to 16-1/2"
- Requires (8) #8 flathead wood screws for installation
- Nickel finish

Recessed Door Straightener



213-2330-DSR



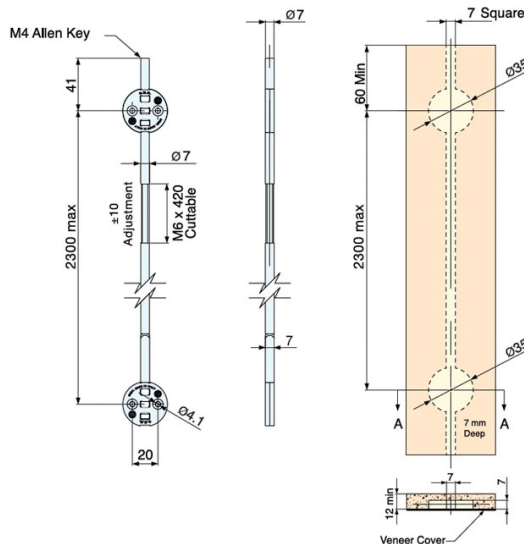
- Partially recessed door straightener installs into back face of door
- Min 5/8" door thickness

Code
213-2330-DSR List/ea
\$ 25

Fully Concealed Door Straightener



423-2300-DSR



- Fully concealed door straightener recess mounts under door laminate
- Min 1/2" door thickness

Code
423-2300-DSR List/ea
\$ 25