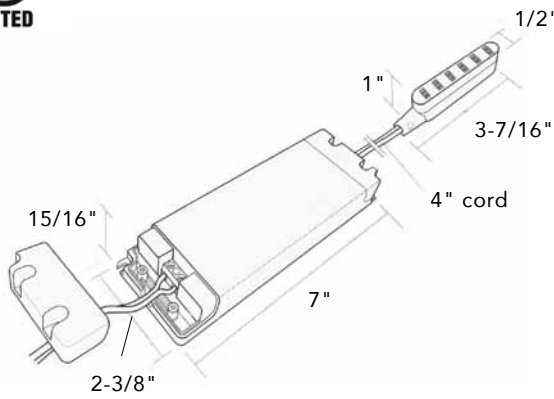




Dimmable Hardwire 12V DC Power Supply



DC-E60D-CON



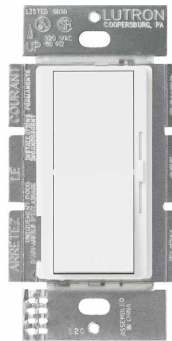
- 60W 12V DC dimmable Power Supply
- UL listed
- Continuous smooth dimming by standard LED/CF Wall dimmers
- Works with all Tresco 12V DC dimmable LED fixtures
- Under 1" height: low profile, mounts flat or vertical
- Wire directly into unit, with cover
- One 6-snap mounting block included
- Class 2 w/ overload, overheat and short circuit protection, plus auto-reset

Code	Description	List/ea
DC-E60D-CON	Dimmable Hardwire 60W Power Supply	\$ 182.63
TRANS-MNT-BL	Extra 6-snap Mounting Block	12.46

LUTRON DIVA C-L DIMMER

Works with above LED Power Supply

- Matches existing wall switches
- Large paddle switch and a small slider
- Slide control to adjust lights, paddle switch returns light to your favorite level
- Power failure memory
- Standard RFI suppression
- Rated at 120 VAC, 60 Hz
- Use only with dimmable bulbs



Wall Dimmer

Code	Description	List/ea
DVCL-153PH-WH	Lutron Diva C-L Dimmer w/o plate	\$ 74.82

LED 12VDC Power Supply (30W) Model: KVF-12030-TDW
Part No: L-DCE30D-CON

LED 12VDC Power Supply (60W) Model: KVF-12060-TDW
Part No: L-DCE60D-CON

Mounting Block included with each Power Supply.

For best operation, use LED-compatible wall dimmers.

Installation Instructions

Hardwire LED Power Supplies

Class 2 • Dimmable 30W & 60W 12VDC Constant Voltage

IMPORTANT SAFETY INSTRUCTIONS

CAUTION: To reduce the risk of fire, electric shock, or injury to persons: Read all instructions before installing system.

Before beginning installation, be sure power is turned OFF to the power supply and light system.

- The 30W Power Supply operates on line voltage 100-277 VAC.
The 60W Power Supply operates on line voltage 100-277 VAC.

Shock Hazard: Whenever hardwiring the LED Power Supply to a 120-volt circuit with an AC dimmer, turn off power at the circuit breaker before installing. Failure to do so may result in serious personal injury or death.

Warning: All wiring must be in accordance with national and local electrical codes, low-voltage Class 2 circuit. The Power Supply is to be mounted and wired in accordance with Article 450 of the National Electric Code (NEC). Failure to install the Power Supply and light fixture in compliance with applicable codes and regulations may cause serious personal injury, death and/or major property damage.

- The Power Supply must be installed in a well-ventilated area free from explosive gases and vapors. Do not install in an airtight, boxed-in structure. The Power Supply is cooled by circulating air and by mounting the unit flush to a surface to allow for heat transfer. Operate

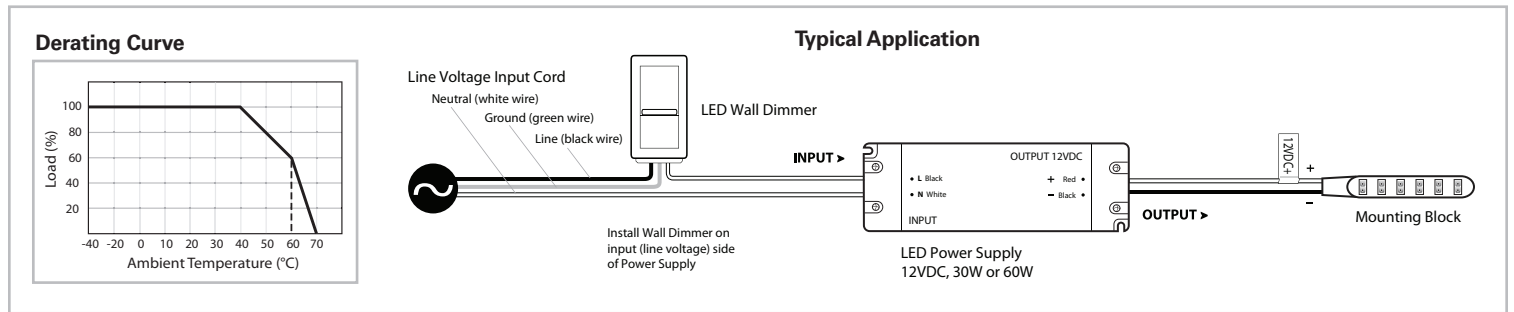
the Power Supply at cooler surrounding air temperatures to extend the life of the unit. See Derating Curve for temperatures above 40°C (104°F).

- Operate only within the specified ambient temperature range of -40°C (-40°F) to 60°C (140°F).

Note: It is normal for the LED Power Supply to feel warm when under a full wattage load.

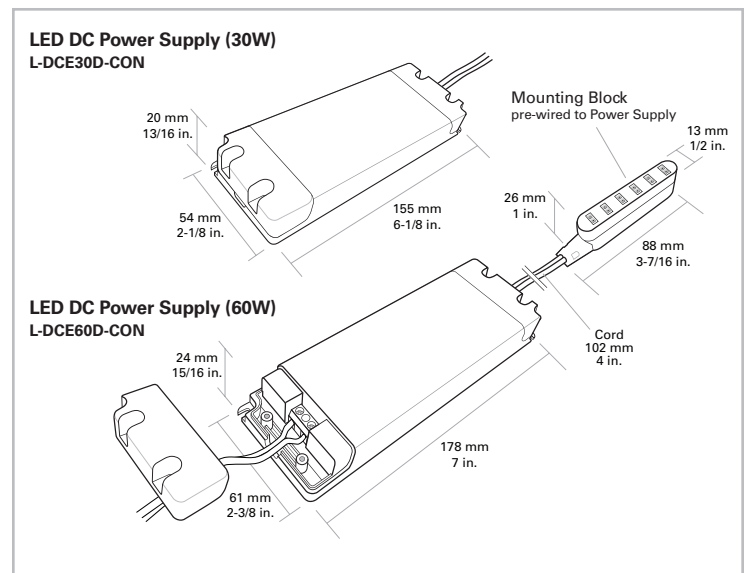
- The hardwired installation of the Power Supply should only be performed by a qualified electrician.
- Do not conceal the line voltage input cord or Power Supply inside a wall, ceiling, soffit, or similar permanent structure, unless consulting a licensed electrician. This requirement does not apply to the 12VDC wiring between the Power Supply and the cabinet light system. For wire runs inside a wall, ceiling, soffit, or similar permanent structure, use CL2 or better cabling.
- Do not install low-voltage Class 2 wiring along the same run as AC line voltage. If the line voltage and low-voltage wires need to cross, keep them at 90° angles.
- Use only insulated staples or plastic ties to secure ALL loose wires.
- Route and secure wires so that they will not be pinched or damaged when the cabinet is pushed to the wall.

(Continued on page 2)



Technical Specifications

Part No.	L-DCE30D-CON	L-DCE60D-CON
Output:		
DC Voltage	12V	12V
Rated Current	2.5A	5A
Rated Power	30W max.	60W max.
Minimum Load	3W	6W
Input:		
Voltage Range	100-277VAC	100-277VAC
Frequency Range	47-63Hz	47-63Hz
Power Factor (Typ.) @ full load	0.99 @ 120VAC 0.98 @ 277VAC	0.98 @ 120VAC 0.95 @ 277VAC
Efficiency (Typ.) @ full load	79%	83%
Wiring	Suitable for 18-14 AWG, rated 300V, min. 90°C	
Protection:		
Short Circuit	Shut down o/p voltage, re-power on to recover after fault condition is removed	
Over Loading	≤ 120% shut down o/p voltage, re-power on to recover	≤ 120% Hiccup mode, recovers automatically after fault condition is removed
Over Temperature	100°C ± 10°C shut down o/p voltage, automatically recover after cooling	
Working Temperature	-40°C ~ +60°C (see Derating Curve chart above)	



IMPORTANT SAFETY INSTRUCTIONS

- Use only LED-compatible Wall Dimmers with LED Power Supplies. Tresco® Dimming LED Power Supplies are compatible with forward phase, reverse phase, triac, MLV and ELV dimmers. For best operation, use a Dimmer that can be programmed or has an adjustable low-end dial such as the Lutron® C•L and Leviton IllumaTech® Universal Dimmers. If you are unsure of dimmer compatibility, call 1-800-227-1171.
- Only install the Wall Dimmer on the input (line voltage) side of the Power Supply.
- **Do not add a plug-in to input wires and attempt to dim a receptacle.** This can cause unwanted lighting effects (such as flickering), is dangerous, and against NEC in certain applications.
- Do not attempt to ground this unit. It is double-insulated.
- This unit can be mounted in any orientation, horizontal or vertical.
- Power Supply provides shut down protection against short circuit, over loading, and over temperature. Unit automatically recovers after fault condition is removed and after cooling.
- Not intended to be used in wet locations or outdoor areas.
- Not intended for recessed installation in ceilings or soffits.
- If any modification is made to the Power Supply, it will invalidate the warranty and may render the product unsafe.

Troubleshooting

Fixture does not illuminate	<ul style="list-style-type: none"> • Check installation instructions and diagrams for all components. Check if the system is wired correctly and polarities are correct. • Verify that a compatible constant voltage dimmable fixture is installed. • Verify if the power supply and fixture have the same voltage specifications (i.e. 12V and 12V, etc.).
Fixture does not dim	<ul style="list-style-type: none"> • Check that a compatible constant voltage dimmable fixture is installed. • Verify that a compatible dimming control is installed and wired correctly.
Different fixture types do not dim in sync	<ul style="list-style-type: none"> • Each fixture type has its own circuit design and may respond differently when dimmed. Check that each fixture type is installed on a separate dimmable power supply for best performance.
Fixture is flickering	<ul style="list-style-type: none"> • Verify that a compatible dimming control is installed. If flickering occurs at low light levels install a compatible dimming control with low-end dial adjustment (i.e. Lutron® C•L). • Check that a compatible constant voltage dimmable fixture is installed. • Check that all connections are properly secured. • Check if fixture is receiving the correct input voltage. • Check to make sure power supply is not wired to a dimmed receptacle.
Fixture is steadily (continuous) flashing	<ul style="list-style-type: none"> • Check that the power supply is not overloaded. An overloaded power supply will cause the auto-reset to trip repeatedly.
Installation trips main breaker	<ul style="list-style-type: none"> • Check wiring for any short circuits. If breaker continues to trip there may be a short in the power supply. Call customer service for a replacement unit.

**Save these instructions for future reference.
For technical assistance, call 1-800-227-1171**



Tresco Lighting by Rev-A-Shelf
12400 Earl Jones Way
Louisville, KY 40299

Tel: 800-227-1171
Fax: 502-491-2215

Email: cservice@trescolighting.com
Web: www.trescolighting.com

