



## CORNERSTONE MAXX



### One Shop's Experience:



- The foreman's first response to seeing the Cornerstone arrive:

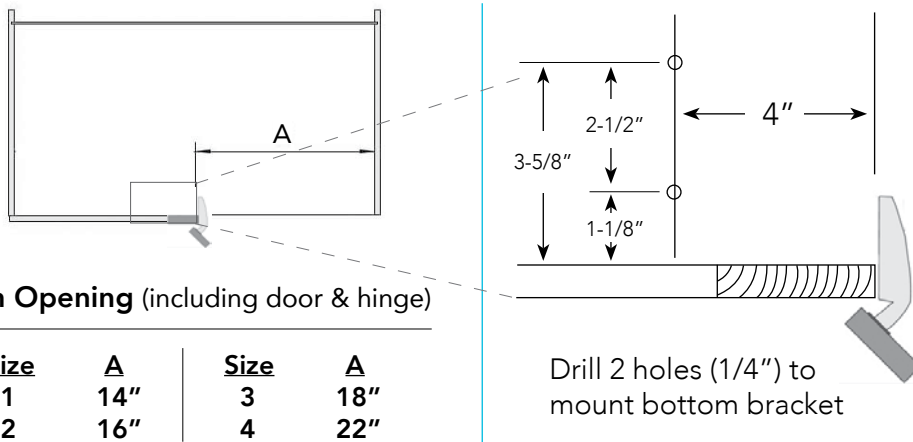
*"Why did they order something different than the other German brand?" After he installed it: "This installed so EASY and I really like it. Let's use this from now on."*



Right Hand unit shown

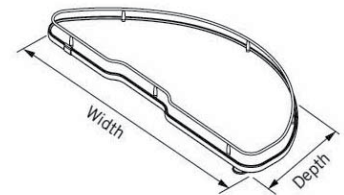
- Can be installed with drawer above
- The shelves can be moved in and out independently and do not obstruct the adjacent cabinet
- Rapid **single** post install showcases floating design
- Tool-free assembly of shelves onto supports
- Simple height adjustment

**New Finish!**  
 White with Silver Railing



### Min Opening (including door & hinge)

Size	A	Size	A
1	14"	3	18"
2	16"	4	22"



### Product Dimensions

Size	Width	Depth
1	29"	13"
2	33"	14-3/4"
3	37"	16-3/4"
4	39"	18-3/16"

**What to Order** For one complete set, order 1 set of shelves and 1 hardware kit.

**New Size 1**  
 in White finish

### Shelves (required)

Maple	White	Size #	Hand	Min Opening	List/set
90007611	90007515	1	LH	14"	\$ 206
90007612	90007514	1	RH	14"	206
90007613	90007517	2	LH	16"	215
90007614	90007516	2	RH	16"	215
90007615	90007513	3	LH	18"	230
90007616	90007442	3	RH	18"	230
90007617	-	4	LH	22"	318
90007618	-	4	RH	22"	318

### Hardware Kit (required)

Code	Description	List/set
90007432	Universal Hardware Kit (non-handed)	\$ 303.60

**You Tube** See video on Cornerstone Maxx Installation at [macpac1.com/videos.html#vauthsagel](http://macpac1.com/videos.html#vauthsagel)