

Sales Bulletin  
Nov 2016

**Enterprise CS3 Undermount Slides**  
Synchronized, Full Extension, Soft Close

**Update Apr 2017**  
**New Clip Specs (pg 2)**

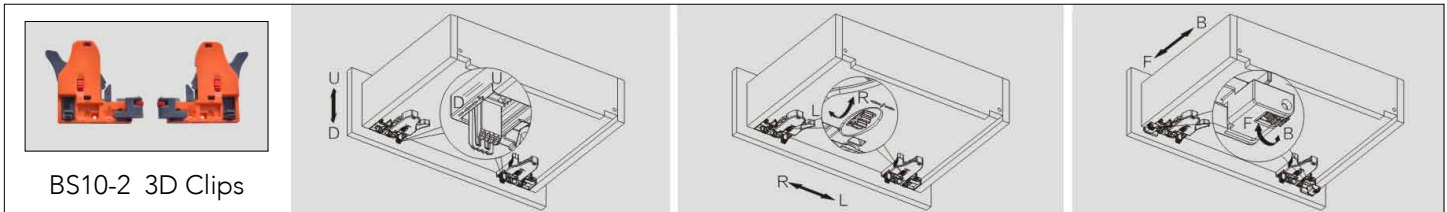


- Rack and Pinion (Synchronized), silent, smooth soft-close system
- 88 lbs. Load Capacity
- 1/2" or 5/8" drawer side
- 3D clips adjusts for Height (0 +3mm), Side ( $\pm 1.5$ mm) and Inset / depth (0 +3mm)
- Rear Bracket available

Height adjustment (0 +3mm)

Side adjustment ( $\pm 1.5$ mm)

Inset adjustment (0 +3mm)



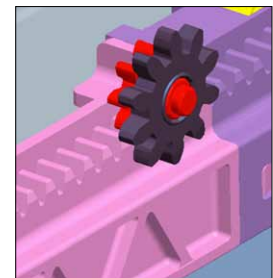
BS10-2 3D Clips

**Synchronization:**

Unique design with Rack and Pinion gears. Slides always move Together at the Same Time and Speed.

**Synchronized movements:**

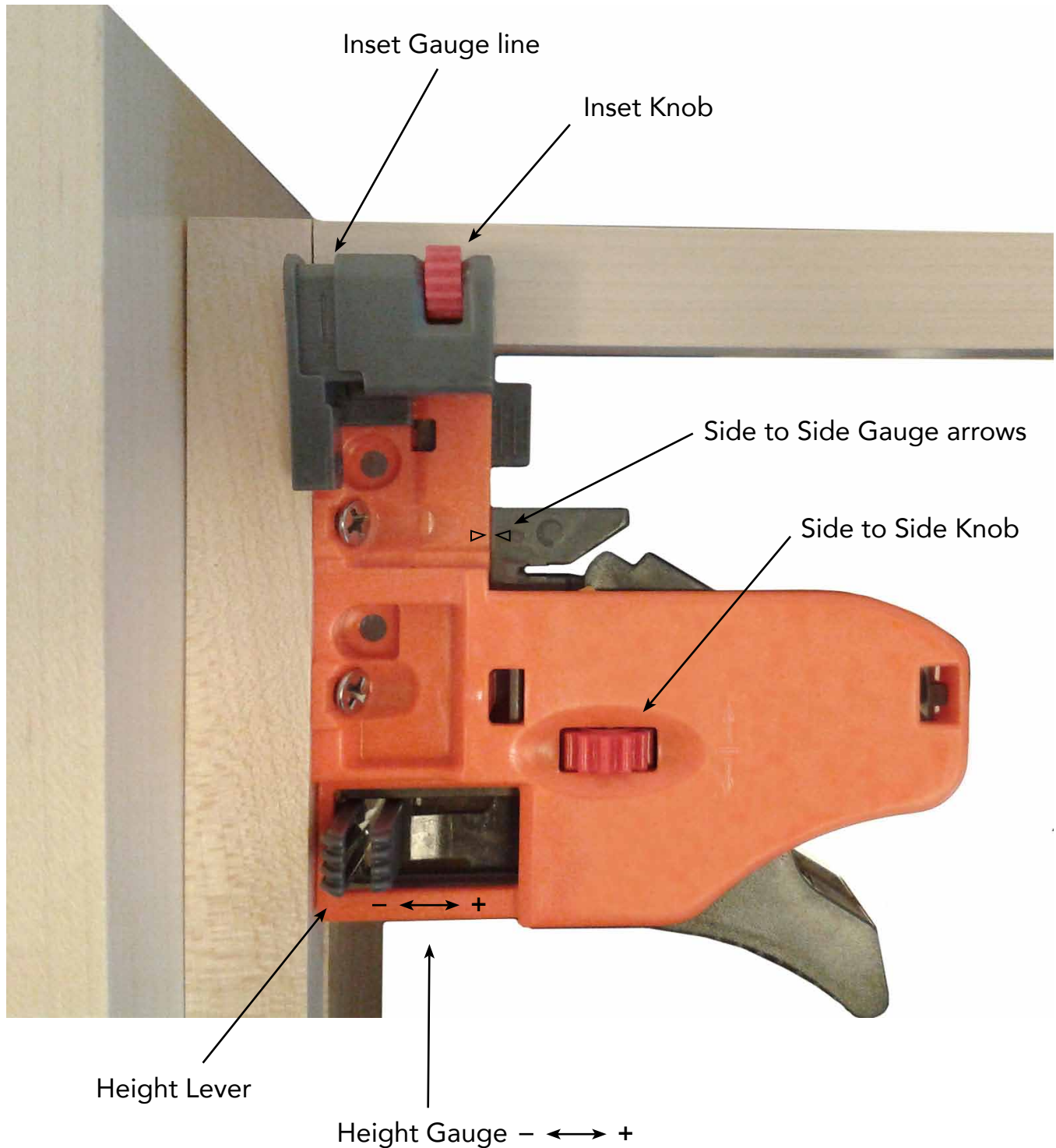
- Eliminate the racking on wider drawers
- Reduce noise and resistance
- Allow smoother action and higher loads



RMB  
Rear Steel Brackets

| Code   | Drawer Length<br><u>1/2" or 5/8" mat.</u> | Min Cabinet<br>Depth<br><u>w/ rear bracket</u> | Ctn | List/pr  |
|--------|---|--|-----|----------|
| CS3-12 | 12" / 305mm                               | 340 - 360                                      | 6   | \$ 19.30 |
| CS3-15 | 15" / 381mm                               | 416 - 436                                      | 6   | 21.10    |
| CS3-18 | 18" / 457mm                               | 494 - 514                                      | 6   | 22.94    |
| CS3-21 | 21" / 533mm                               | 568 - 588                                      | 6   | 24.87    |
| BS10-2 | 3D Clips for CS3 Slides                   |  | 100 | \$ 2.52  |
| RMB    | Rear Steel Brackets                       |  | 100 | .81      |

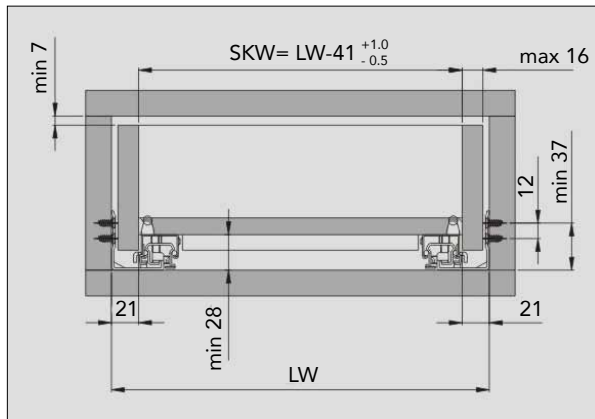
CS3 Clips - BS10-2



**Enterprise CS3 Undermount Slides**  
Installation and Drawer Dimensions

Installation Dimensions

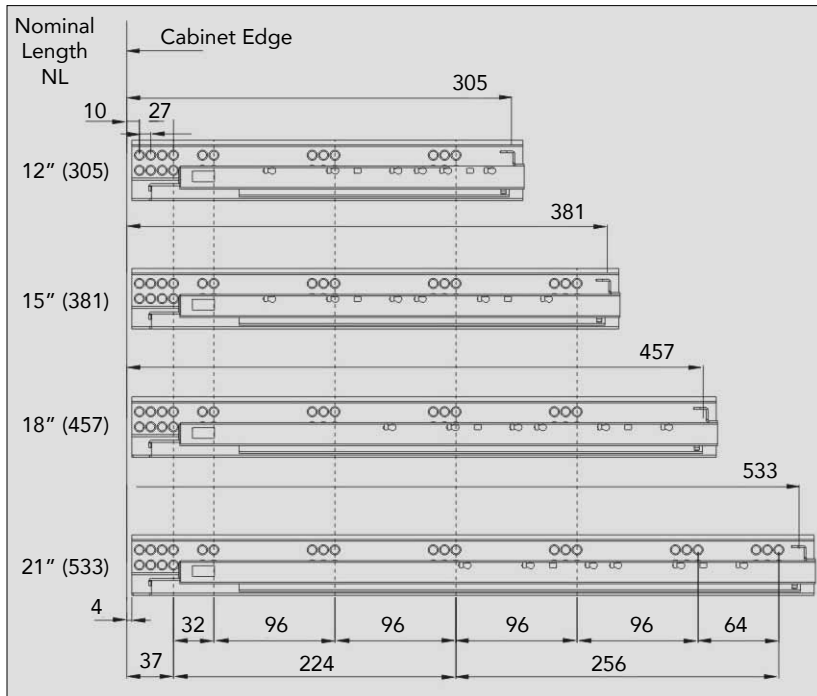
Installation for drawer with max 16mm thick drawer side.  
LW = Internal Cab Width, SKW = Internal drawer width



| NL  | LT Min | LT Max |
|-----|--------|--------|
| 12" | 340    | 360    |
| 15" | 416    | 436    |
| 18" | 494    | 514    |
| 21" | 568    | 588    |

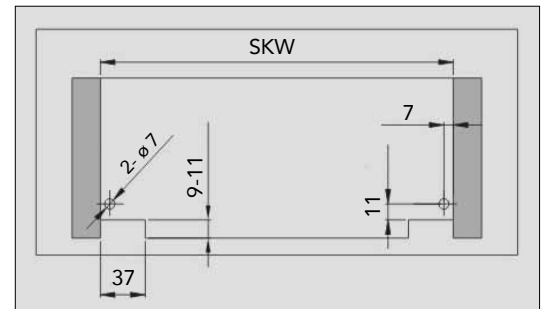
Metal Rear Bracket Installation dimensions for 16mm

LT = Inside Cabinet Length, NL = Nominal Length



Drawer Box Prep:

SKW = Internal Drawer Width



Drawer: Rear View