

## Stocking Barn Door Hardware Sets

### Flat Rail Surface Mounting - Retail View Pack Kits

Sales Bulletin  
Update  
Feb 2020

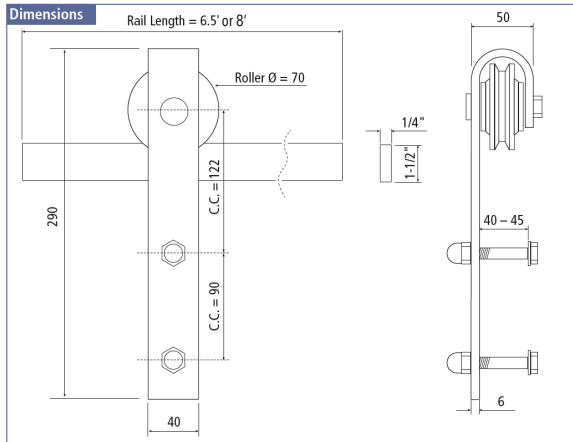
#### Surface Mount Flat Track Sets



#### Set Includes:

- 5 Clamps for Fixing Track
- 2 Door Stoppers
- 1 Rail, Length 6.5' or 8'
- 2 Anti Jump Blocks
- 2 Sliding Door Rollers
- 1 Floor Guide
- Screws and Allen Key

- 6.5' and 8' Track Sets available
- Carbon Steel Matte Black w/ Powder coat
- Max. Door Weight: 350 lbs. (160 kg)
- For door thickness of 1-1/4 to 1-3/4"
- **New Stainless Steel finish on 6.5' Track**



FT-MB - Flat Rail Surface Mount Specs

Code	Description	List/st
FT-MB-6	Surface Mount, 6.5', Matte Black Flat track set	\$ 255
<b>FT-SS-6</b>	Surface Mount, 6.5', <b>Stainless Steel</b> Flat track set	389
FT-MB-8	Surface Mount, 8', Matte Black Flat track set	314

#### Mini Surface Mount Flat Track Sets

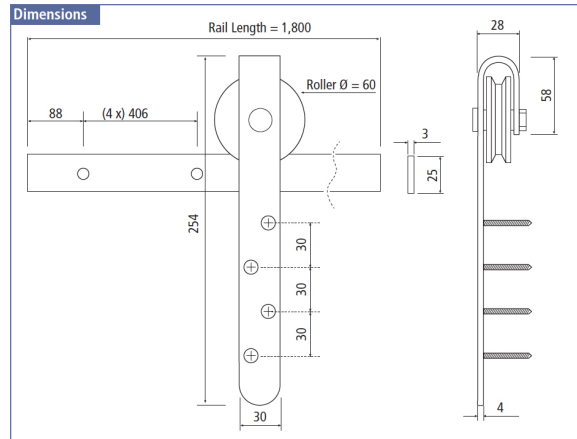


#### Set includes:

- 2 Door Stoppers
- 1 Rail, Length 5' 10"
- 2 Anti Jump Blocks
- 2 Sliding Door Rollers
- 1 Floor Guide
- Screws and Allen Key




- 5' 10" Track Set
- Carbon Steel Matte Black w/ Powder coat
- Max. Door Weight: 44 lbs. (20 kg)
- For door thickness of 1 to 1-3/16"




FT-MINI - Flat Rail Surface Mount Specs

Code	Description	List/st
<b>FT-MINI-MB</b>	Mini Surface Mount, Matte Black Flat track set - Retail View Pack	\$ 163



**FRC-MB**  
Flat Rail Connector, Matte Black.  
Used to splice flat track together.  
List \$ 7.44 /ea.

**FT-SC-MB** Soft Close for FT-MB-6 and FT-MB-8



Max Load of 176 lbs.  
Overall Dimensions:  
13-3/8" x 15-1/16" x 13-1/16"  
List \$ 51.99 /ea.