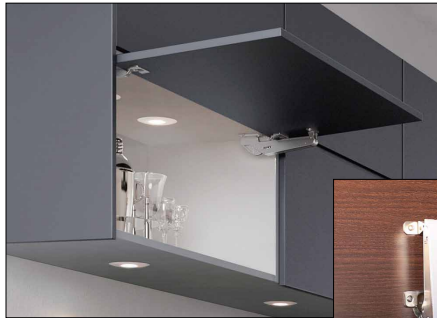




Lift Assist Lid Stay - Aileron System



ARN-3

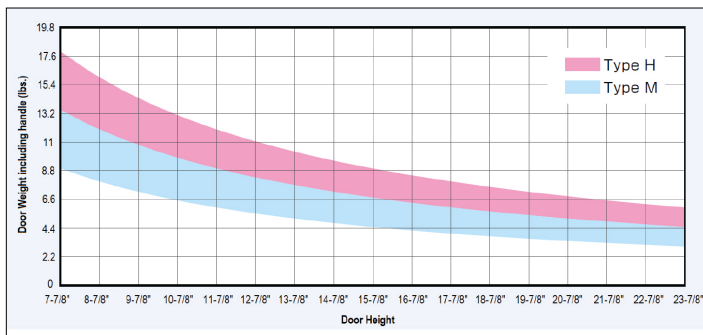


ARN-2

- Smooth door movement. Specially designed for use with the OLYMPIA concealed hinge
- Lift-assist function allows for light opening of doors
- Panel thickness: Min: 9/16" (15mm) ~ Max: 7/8" (22mm)
- Free-stop function enables doors to hold in position (30°-Max)
- Soft-close function makes doors close gently (0°-30° degrees)
- Integrated design combines a concealed hinge and lid stay
- Closing speed of doors is adjustable
- Nickel/grey finish

Each set includes the following components:

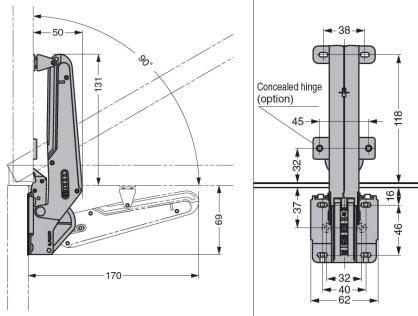
	Aileron	1
	Mounting plate for Aileron	1
	Olympia Concealed Hinge	2
	Mounting plate for Olympia	1
	Olympia 8	16
	Aileron 6	
	Aileron 2	



Refer to the above graph as a guide for model selection. For use with doors outside of the scope of this graph, use the calculation below. Door weight must include all attached accessories.

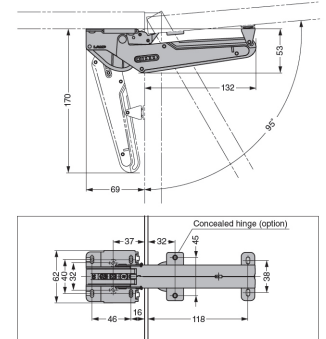
Torque (lbs • inch) =
Door height (inches) × 0.5 × weight (lbs).

Lid Stay with Soft Close - for Top Opening



Code	Description	List/st
ARN-2-M-S	Med. Duty	\$ 49
ARN-2-H-S	Heavy Duty	49

Lid Stay with Soft Close - for Upward Opening



Code	Description	List/st
ARN-3-M-S	Med. Duty	\$ 49
ARN-3-H-S	Heavy Duty	49