

2020 PRICE BOOK
SOLID BRASS COLLECTION



Ashley Norton
ARCHITECTURAL HARDWARE



Ashley Norton

FINISHES 4

ORDERING GUIDE 5

WARRANTY 7

LEVERS 9

KNOBS 11

MODERN LEVERSETS . . . 12

Luxe Modern Leversets / 12

Designer Modern Leversets / 14

Classic Modern Leversets / 16

AMERICAN LEVERSETS . . 18

Signature American Leversets / 18

Designer American Leversets / 20

Classic American Leversets / 22

DESIGNER KNOBSETS . . . 24

DEADBOLTS 26

ENTRANCE HARDWARE . . 28

Mortise Sets / 28

Tubular Sets / 30

Multipoint Sets / 32

SPECIALTY HARDWARE . . 37

Pocket Door Hardware / 38

Edge Pull and Flush Pulls / 39

Door Stops / 40

Sliding Hardware / 41

Solid Brass Hinges / 42

SPECIFICATIONS 43

Lever & Knobs / 44

Roses & Plates / 49

RETURNS POLICY 50

TERMS AND CONDITIONS. 51



Refer to cabinet hardware catalog for brass cabinet hardware and appliance pull pricing.

DOOR HARDWARE FINISHES



Satin Nickel (4)



Dark Oil Rubbed (8)
(Living Finish)



Polished Chrome (9)



Flat Black (BK)



Satin Chrome (2)



Polished Nickel (4B)
(Living Finish)



Polished Brass (3)



Satin Brass (3S)



Unlacquered Brass (3U)*
(Living Finish)



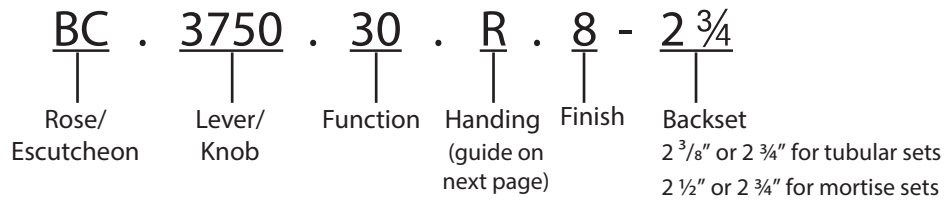
Ashley Norton brass products are available in multiple finishes. Dark Oil Rubbed (8), Polished Nickel (4B) and Unlacquered Brass (3U) are dynamic. These "living finishes" will take on unique hues as age, climate and touch work their charm, creating an ever changing patina.

FINISH	ASHLEY	US	BHMA
Satin Nickel	4	15	619
Dark Oil Rubbed	8	10B	613
Polished Chrome	9	26	625
Flat Black	BK	19	622
Satin Chrome	2	26D	626
Polished Nickel	4B	14	618
Polished Brass	3	3	605
Satin Brass	3S	4	606
Unlacquered Brass*	3U	3NL	-

* Unlacquered Brass is available for door hardware products at a 30% upcharge.

PRODUCT CODE CONSTRUCTION

Most combinations of lever/knob, rose/escutcheon and finish may be combined to create a unique piece for each project. Knobs may not be combined with our RE, AN or TA concealed roses, or with multipoint trim.



Our interior handlesets are supplied as standard with fasteners for 1 3/8" - 1 3/4" doors^(a) and a full lipped strike. If your application is for a thicker door or requires a T Strike, please specify at the time of ordering. Exterior handlesets and deadbolts are supplied as standard with fasteners for 1 3/4" door. Further details in table below.

The function codes relevant to specific roses/escutcheons are provided on product detail pages throughout this price book. Handing is not required for passage and privacy sets with our RE, AN and TA concealed screw roses, or our SQ, SP and SE escutcheons unless a split finish is specified.

	Standard	Option
Please call to verify suitability for any doors thicker than 2 1/2"		
Tubular Passage / Privacy Sets		
Door thickness	1 3/8" - 1 3/4" (a)	Up to: 3" (passage); 2 1/2" (privacy)
Backset	2 3/8"	2 3/4"
Strike	Full Lipped Strike	T Strike
Deadbolts		
Door thickness	1 3/4"	Up to: 3" (standard); 2 1/4" (double-keyed)
Backset	2 3/8"	2 3/4"
Tubular Entrysets		
Door thickness	1 3/4"	Up to 3" - see footnote (b) below
Backset	2 3/8"	2 3/4"
Strike	Full Lipped Strike	T Strike
Mortise Entrysets		
Door thickness	1 3/4"	Up to 3"
Backset	2 1/2"	2 3/4"
Strike	Mortise strike	Mortise strike
Multipoint Trim		
Door thickness	1 3/4"	Up to 2 1/4" (inquire if thicker)
Strike	Not included	Not included

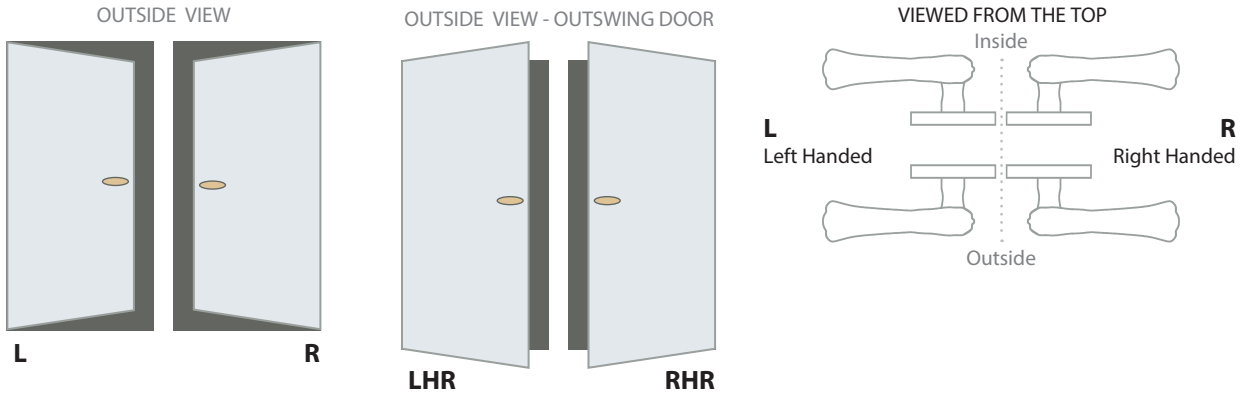
(a) Flat plates (FS and FR roses) require a minimum 1 3/4" door thickness

(b) Max. thickness for double keyed entryset is 2 1/4"
Max. thickness for tubular gripset is 2 1/2"

HANDING GUIDE

Door handing is always determined from outside of the room or home. The side of the door that the hinges are on determines the handing of the door. For mortise sets, we need to know the swing direction of the door. Most doors swing in, but if the door swings outwards, designate this as reverse swing.

- L** = Left Hand
- R** = Right Hand
- LHR** = Left Hand Reverse (needed for mortise sets only)
- RHR** = Right Hand Reverse (needed for mortise sets only)



MORTISE LOCK OPTIONS



ANSI F12 Entry Accurate 9148B Lock

- Latch bolt by key outside and lever either side unless outside lever is locked by toggle action stop
- Deadbolt by key outside and turn piece inside
- Turning inside lever retracts latch and deadbolt simultaneously, **outside lever remains locked until manually unlocked by toggle**



ANSI F13 Dormitory Accurate 9124B Lock

- Latch bolt by lever either side
- Deadbolt by key outside and turn piece inside
- A turn of inside lever retracts latch and deadbolt simultaneously, **automatically unlocking outside lever**

Residential Warranty

Ashley Norton Inc. extends a 10 year mechanism warranty to the original residential purchaser, providing the product has been installed in strict accordance with our installation instructions. The only obligation of Ashley Norton Inc. will be to repair or replace the defective product or parts upon presentation, together with proof of purchase dated within the warranty period. We assume no liability for any labor charges regarding the removal or reinstallation of the products; nor will we cover any freight, postage, or handling expense. This warranty does not cover damage caused by accident, misuse, abuse, tampering, extreme climatic conditions, improper installation or products used in commercial applications.

Finish Warranty - Internal Use

When used internally, Ashley Norton Inc. extends warranties as indicated below to the original residential purchaser and limited to the location where the product was originally installed. The finish warranty does not cover scratches, abuse, mis-use, accident, external use, or where the product has been used in a commercial application.

DOOR HARDWARE FINISH CODE	FINISH NAME	WARRANTY (INTERIOR USE ONLY)
2	Satin Chrome	10 years
3	Polished Brass	10 years
3S	Satin Brass	10 years
4	Satin Nickel	10 years
4B	Polished Nickel	No warranty
8	Dark Oil Rubbed	No warranty
9	Polished Chrome	10 years
3U	Unlacquered Brass	No warranty
BK	Flat Black	10 years

Our Dark Oil Rubbed (8) finish is ‘living finish’ and may lighten, highlight, oxidize or rub off in places due to frequency of use; therefore, such events do not constitute a defect. Our Polished Nickel (4B) and Unlacquered Brass (3U) finishes are not lacquered and may tarnish due to environmental exposure. Thus Ashley Norton Inc., cannot guarantee our Dark Oil Rubbed (8), Polished Nickel (4B) or Unlacquered Brass (3U) finishes and therefore, Ashley Norton Inc. will not have any obligation to repair or replace such finishes under this warranty.

Finish Warranty - External Use

Lacquered finishes will deteriorate when exposed to the atmosphere, particularly salt air, direct sunlight and pollution. Plated finishes will endure these conditions longer than lacquered finishes, however even these will not remain unaffected by the environment. Our Dark Oil Rubbed is a living finish and will age naturally. Ashley Norton cannot guarantee finishes where used externally.

Exclusion of Incidental and Consequential Damages

In no event shall Ashley Norton be liable for any incidental or consequential damages arising from the sale or use of our products. We assume no liability for any labor charges regarding the removal or reinstallation of the products; nor will we cover any freight, postage, or handling expense related to the product. The only obligation upon Ashley Norton Inc. will be to repair or replace the defective product or parts upon presentation, together with proof of purchase dated within the warranty period.



Ashley Norton

MODERN LEVERSETS

LUXE - PAGE 12-13

DESIGNER - PAGE 14-15

CLASSIC - PAGE 16-17

ROSE



Knurled Bauhaus
(1255)



Knurled Phoenix
(2385)



Knurled Fountain⁽¹⁾
(2395)



Reeded Fountain⁽¹⁾
(2398)



Reeded Bauhaus
(1258)



Meridian (3100)



Bauhaus (1250)



Atlas (3750)



Milan (6420)



Apollo (4500)



Claros (1970)



Phoenix (2380)



Fountain⁽¹⁾ (2390)



Lugano (6225)



Indigo (3790)



Lena (2352)



Geo (1460)



Challenger (6000)



Everest (7100)



Centaur (3490)



Alexis (3890)



RE
2 1/2" x 2 1/2"



AN
2 3/8" Dia.



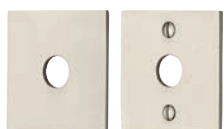
BC
2 1/2" x 2 1/2"



BA
2 1/2" Dia.



UB
3 3/8" x 2 1/2"



FS
2 1/2" x 2 1/2"



FR
2 1/2" Dia.



BL
2 1/2" x 2 1/2"



BR
2 1/2" Dia.



BG
2 1/2" x 2 1/2"

⁽¹⁾ Fountain levers may not be combined with AN rose

AMERICAN LEVERSETS

SIGNATURE



Colonial (4900)



Alessa (8300)

DESIGNER



Churchill (5000)



Chesterfield (1700)



Hampton (4000)

CLASSIC



Chiltern (1600)



Chester (2000)

ROSE AND PLATE



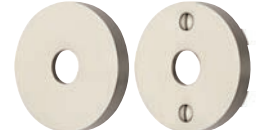
RE
2 1/2" x 2 1/2"



AN
2 3/8" Dia.



TA
2 3/8" Dia.



BA
2 1/2" Dia.



BL
2 1/2" x 2 1/2"



BR
2 1/2" Dia.



BG
2 1/2" x 2 1/2"



BT
2 1/2" Dia.



SQ
5" x 2 1/2"



SE
11" x 2 1/2"



SR
7" x 2 1/2"

KNOBSETS

DESIGNER - PAGE 24-25



Helios (8800)



Newport (9900)



Richmond (9880)



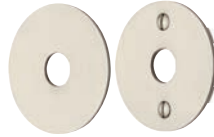
Windsor (9000)



Carlisle (6600)



FS
2 1/2" x 2 1/2"



FR
2 1/2" Dia.



BC
2 1/2" x 2 1/2"



BA
2 1/2" Dia.



BL
2 1/2" x 2 1/2"



BR
2 1/2" Dia.



BG
2 1/2" x 2 1/2"



BT
2 1/2" Dia.



UB
3 3/8" x 2 1/2"



SQ
5" x 2 1/2"



SR
7" x 2 1/2"



SE
11" x 2 1/2"

ROSE AND PLATE

LUXE MODERN LEVERSETS

KNURLED BAUHAUS 1255, KNURLED PHOENIX 2385, KNURLED FOUNTAIN 2395
REDED BAUHAUS 1258, REDED FOUNTAIN 2398



A



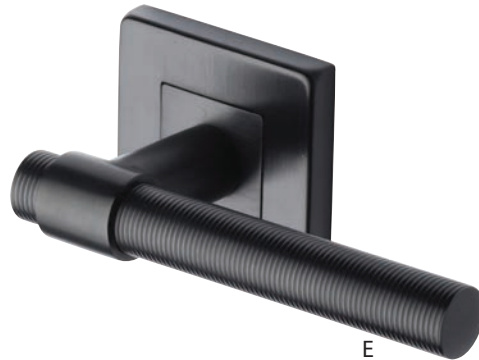
B



C



D



E

**A. Knurled Bauhaus Lever (1255)
with BA rose
in Satin Brass (3S)**

**B. Knurled Fountain Lever (2395)
with RE rose
in Satin Nickel (4)**





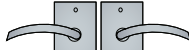
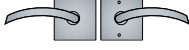




**C. Knurled Phoenix Lever (2385)
with FS rose
in Flat Black (BK)**

**D. Reeded Bauhaus Lever (1258)
with BC rose
in Satin Nickel (4)**

**E. Reeded Fountain Lever (2398)
with RE rose
in Dark Oil Rubbed (8)**



LUXE MODERN LEVERSETS

Rose	Lever	Function	Code	Stocked Finish	Made to order Finishes	Price
BA Rose (Exposed)  BC Rose (Exposed) 	Knurled Bauhaus (1255) Knurled Phoenix (2385) Knurled Fountain (2395) Reeded Bauhaus (1258) Reeded Fountain (2398)	Tubular Passage	30	Satin Nickel (4) Dark Oil Rubbed (8) Polished Chrome (9)	Satin Brass (3S) Satin Chrome (2) Polished Brass (3) Polished Nickel (4B) Flat Black (BK)	\$202.00
		Tubular Privacy	20			\$202.00
		Single Dummy	40			\$101.00
		Full Dummy	42			\$202.00
RE Rose (Concealed)  Handing not required for passage and privacy sets	Knurled Bauhaus (1255) Knurled Phoenix (2385) Knurled Fountain (2395) Reeded Bauhaus (1258) Reeded Fountain (2398)	Tubular Passage	30	Satin Nickel (4) Dark Oil Rubbed (8) Polished Chrome (9)	Satin Brass (3S) Satin Chrome (2) Polished Brass (3) Polished Nickel (4B) Flat Black (BK)	\$242.00
		Tubular Privacy	20			\$242.00
		Single Dummy	40			\$121.00
		Full Dummy	42			\$242.00
AN Rose (Concealed)  Handing not required for passage and privacy sets	Knurled Bauhaus (1255) Knurled Phoenix (2385) Reeded Bauhaus (1258) Fountain levers may not be combined with AN rose	Tubular Passage	30	Satin Nickel (4) Dark Oil Rubbed (8) Polished Chrome (9)	Satin Brass (3S) Satin Chrome (2) Polished Brass (3) Polished Nickel (4B) Flat Black (BK)	\$242.00
		Tubular Privacy	20			\$242.00
		Single Dummy	40			\$121.00
		Full Dummy	42			\$242.00
UB Plate (Exposed)  Handing not required for passage and privacy sets	Knurled Bauhaus (1255) Knurled Phoenix (2385) Knurled Fountain (2395) Reeded Bauhaus (1258) Reeded Fountain (2398)	Tubular Passage	30	Satin Nickel (4) Dark Oil Rubbed (8) Polished Chrome (9)	Satin Brass (3S) Satin Chrome (2) Polished Brass (3) Polished Nickel (4B) Flat Black (BK)	\$202.00
		Tubular Privacy	20			\$202.00
		Single Dummy	40			\$101.00
FS Rose ⁽¹⁾ (Exposed)  FR Rose ⁽¹⁾ (Exposed) 	Knurled Bauhaus (1255) Knurled Phoenix (2385) Knurled Fountain (2395) Reeded Bauhaus (1258) Reeded Fountain (2398)	Tubular Passage	30	Satin Nickel (4) Dark Oil Rubbed (8) Polished Chrome (9)	Satin Brass (3S) Satin Chrome (2) Polished Brass (3) Polished Nickel (4B) Flat Black (BK)	\$242.00
		Tubular Privacy	20			\$242.00
		Single Dummy	40			\$121.00
		Full Dummy	42			\$242.00
BL Rose (Exposed)  BR Rose (Exposed)  BG Rose (Exposed) 	Knurled Bauhaus (1255) Knurled Phoenix (2385) Knurled Fountain (2395) Reeded Bauhaus (1258) Reeded Fountain (2398)	Tubular Passage	30	Satin Nickel (4) Dark Oil Rubbed (8) Polished Chrome (9)	Satin Brass (3S) Satin Chrome (2) Polished Brass (3) Polished Nickel (4B) Flat Black (BK)	\$202.00
		Tubular Privacy	20			\$202.00
		Single Dummy	40			\$101.00
		Full Dummy	42			\$202.00

(1) Minimum 1 3/4" door thickness required for FS and FR roses.
 Unlacquered Brass (3U) available for 30% upcharge.



Knurled Bauhaus (1255)



Knurled Fountain (2395)



Knurled Phoenix (2385)

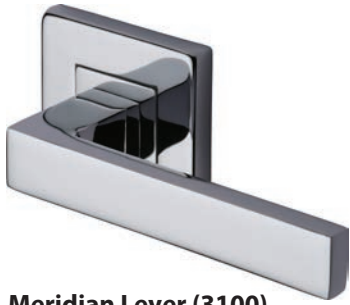


Reeded Bauhaus (1258)



Reeded Fountain (2398)

DESIGNER MODERN LEVERSETS



Meridian Lever (3100)
with RE rose



Atlas Lever (3750)
with BA rose



Apollo Lever (4500)
with UB rosette



Phoenix Lever (2380)
with FS rose



Bauhaus Lever (1250)
with RE rose



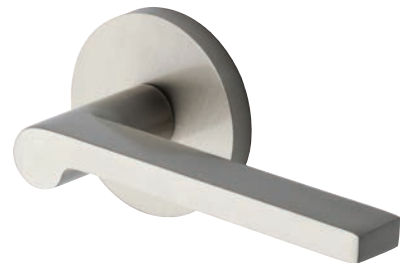
Milan Lever (6420)
with AN rose



Fountain Lever (2390)
with BA rose



Claros Lever (1970)
with BA rose



Lugano Lever (6225)
with BA rose





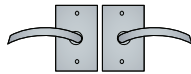







Lena Lever (2352)
with BC rose



Indigo Lever (3790)
with BA rose

DESIGNER MODERN LEVERSETS

Rose	Lever	Function	Code	Stocked Finish	Made to order Finishes	Price
BA Rose (Exposed)  BC Rose (Exposed) 	Meridian (3100) Apollo (4500) Atlas (3750) Milan (6420) Bauhaus (1250) Lugano (6225) Claros (1970) Phoenix (2380) Fountain (2390) ⁽¹⁾ Indigo (3790) Lena (2352)	Tubular Passage	30	Satin Nickel (4) Dark Oil Rubbed (8) Polished Chrome (9)	Satin Brass (3S) Satin Chrome (2) Polished Brass (3) Polished Nickel (4B) Flat Black (BK)	\$172.00
		Tubular Privacy	20			\$172.00
		Single Dummy	40			\$86.00
		Full Dummy	42			\$172.00
RE Rose (Concealed)  AN Rose (Concealed)  Handing not required for passage and privacy sets		Tubular Passage	30	Satin Nickel (4) Dark Oil Rubbed (8) Polished Chrome (9)	Satin Brass (3S) Satin Chrome (2) Polished Brass (3) Polished Nickel (4B) Flat Black (BK)	\$218.00
		Tubular Privacy	20			\$218.00
		Single Dummy	40			\$109.00
		Full Dummy	42			\$218.00
UB Plate (Exposed)  Handing not required for passage and privacy sets		Tubular Passage	30	Satin Nickel (4) Dark Oil Rubbed (8) Polished Chrome (9)	Satin Brass (3S) Satin Chrome (2) Polished Brass (3) Polished Nickel (4B) Flat Black (BK)	\$172.00
		Tubular Privacy	20			\$172.00
		Single Dummy	40			\$86.00
FS Rose ⁽²⁾ (Exposed)  FR Rose ⁽²⁾ (Exposed) 		Tubular Passage	30	Satin Nickel (4) Dark Oil Rubbed (8) Polished Chrome (9)	Satin Brass (3S) Satin Chrome (2) Polished Brass (3) Polished Nickel (4B) Flat Black (BK)	\$218.00
	Tubular Privacy	20	\$218.00			
	Single Dummy	40	\$109.00			
	Full Dummy	42	\$218.00			
BL Rose (Exposed)  BR Rose (Exposed)  BG Rose (Exposed) 	Tubular Passage	30	Satin Nickel (4) Dark Oil Rubbed (8) Polished Chrome (9)	Satin Brass (3S) Satin Chrome (2) Polished Brass (3) Polished Nickel (4B) Flat Black (BK)	\$172.00	
	Tubular Privacy	20			\$172.00	
	Single Dummy	40			\$86.00	
	Full Dummy	42			\$172.00	

(1) Fountain lever may not be combined with AN rose.
 (2) Minimum 1 3/4" door thickness required for FR and FS roses.
 Unlacquered Brass (3U) available for 30% upcharge.



CLASSIC MODERN LEVERSETS

GEO 1460, CHALLENGER 6000, EVEREST 7100, CENTAUR 3490, ALEXIS 3890



A. Geo Lever (1460)
with FR rose
in Polished Chrome (9)

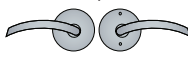

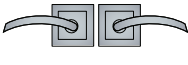

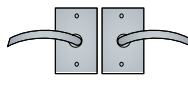

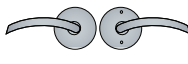
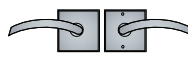


B. Challenger Lever (6000)
with AN rose
in Satin Nickel (4)

C. Everest Lever (7100)
with AN rose
in Dark Oil Rubbed (8)

D. Alexis Lever (3890)
with RE rose
in Satin Nickel (4)

E. Centaur Lever (3490)
with AN rose
in Satin Brass (35)

CLASSIC MODERN LEVERSETS

Rose	Lever	Function	Code	Stocked Finish	Made to order Finishes	Price
BA Rose (Exposed)  BC Rose (Exposed) 	Alexis (3890) Geo (1460) Challenger (6000) Everest (7100) Centaur (3490)	Tubular Passage	30	Satin Nickel (4) Dark Oil Rubbed (8) Polished Chrome (9)	Satin Brass (3S) Satin Chrome (2) Polished Brass (3) Polished Nickel (4B) Flat Black (BK)	\$136.00
		Tubular Privacy	20			\$136.00
		Single Dummy	40			\$68.00
		Full Dummy	42			\$136.00
RE Rose (Concealed)  Handing not required for passage and privacy sets	Alexis (3890) Geo (1460) Challenger (6000) Everest (7100) Centaur (3490)	Tubular Passage	30	Satin Nickel (4) Dark Oil Rubbed (8) Polished Chrome (9)	Satin Brass (3S) Satin Chrome (2) Polished Brass (3) Polished Nickel (4B) Flat Black (BK)	\$182.00
		Tubular Privacy	20			\$182.00
		Single Dummy	40			\$91.00
		Full Dummy	42			\$182.00
AN Rose (Concealed)  Handing not required for passage and privacy sets	Alexis (3890) Geo (1460) Challenger (6000) Everest (7100) Centaur (3490)	Tubular Passage	30	Satin Nickel (4) Dark Oil Rubbed (8) Polished Chrome (9)	Satin Brass (3S) Satin Chrome (2) Polished Brass (3) Polished Nickel (4B) Flat Black (BK)	\$182.00
		Tubular Privacy	20			\$182.00
		Single Dummy	40			\$91.00
		Full Dummy	42			\$182.00
UB Plate (Exposed)  Handing not required for passage and privacy sets	Alexis (3890) Geo (1460) Challenger (6000) Everest (7100) Centaur (3490)	Tubular Passage	30	Satin Nickel (4) Dark Oil Rubbed (8) Polished Chrome (9)	Satin Brass (3S) Satin Chrome (2) Polished Brass (3) Polished Nickel (4B) Flat Black (BK)	\$136.00
		Tubular Privacy	20			\$136.00
		Single Dummy	40			\$68.00
FS Rose ⁽¹⁾ (Exposed)  FR Rose ⁽¹⁾ (Exposed) 	Alexis (3890) Geo (1460) Challenger (6000) Everest (7100) Centaur (3490)	Tubular Passage	30	Satin Nickel (4) Dark Oil Rubbed (8) Polished Chrome (9)	Satin Brass (3S) Satin Chrome (2) Polished Brass (3) Polished Nickel (4B) Flat Black (BK)	\$182.00
		Tubular Privacy	20			\$182.00
		Single Dummy	40			\$91.00
		Full Dummy	42			\$182.00
BL Rose (Exposed)  BR Rose (Exposed)  BG Rose (Exposed) 	Alexis (3890) Geo (1460) Challenger (6000) Everest (7100) Centaur (3490)	Tubular Passage	30	Satin Nickel (4) Dark Oil Rubbed (8) Polished Chrome (9)	Satin Brass (3S) Satin Chrome (2) Polished Brass (3) Polished Nickel (4B) Flat Black (BK)	\$136.00
		Tubular Privacy	20			\$136.00
		Single Dummy	40			\$68.00
		Full Dummy	42			\$136.00

(1) Minimum 1 3/4" door thickness required for FR and FS roses.
 Unlacquered Brass (3U) available for 30% upcharge.



Geo (1460)



Challenger (6000)



Everest (7100)



Centaur (3490)



Alexis (3890)

SIGNATURE AMERICAN LEVERSETS

COLONIAL 4900, ALESSA 8300



A



B



C



D











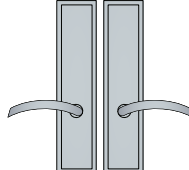
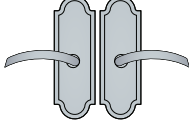


**A. Alessa Lever (8300)
with AN rose**
in Polished Nickel (4B)

**B. Colonial Lever (4900)
with AN rose**
in Polished Chrome (9)

**C. Colonial Lever (4900)
with BL rose**
in Polished Nickel (4B)

**D. Alessa Lever (8300)
with RE rose**
in Dark Oil Rubbed (8)

Rose	Lever	Function	Code	Stocked Finish	Made to order Finishes	Price
BC Rose (Exposed)  BA Rose (Exposed)  BT Rose (Exposed) 	Colonial (4900) Alessa (8300)	Tubular Passage	30	Satin Nickel (4) Dark Oil Rubbed (8) Polished Chrome (9)	Satin Brass (3S) Satin Chrome (2) Polished Brass (3) Polished Nickel (4B) Flat Black (BK)	\$202.00
		Tubular Privacy	20			\$202.00
		Single Dummy	40			\$101.00
		Full Dummy	42			\$202.00
RE Rose (Concealed) 	Colonial (4900) Alessa (8300) Handing not required for passage and privacy sets	Tubular Passage	30	Satin Nickel (4) Dark Oil Rubbed (8) Polished Chrome (9)	Satin Brass (3S) Satin Chrome (2) Polished Brass (3) Polished Nickel (4B) Flat Black (BK)	\$242.00
		Tubular Privacy	20			\$242.00
		Single Dummy	40			\$121.00
		Full Dummy	42			\$242.00
TA Rose (Concealed)  AN Rose (Concealed) 	Colonial (4900) Alessa (8300) Handing not required for passage and privacy sets	Tubular Passage	30	Satin Nickel (4) Dark Oil Rubbed (8) Polished Chrome (9)	Satin Brass (3S) Satin Chrome (2) Polished Brass (3) Polished Nickel (4B) Flat Black (BK)	\$242.00
		Tubular Privacy	20			\$242.00
		Single Dummy	40			\$121.00
		Full Dummy	42			\$242.00
BL Rose (Exposed)  BR Rose (Exposed)  BG Rose (Exposed) 	Colonial (4900) Alessa (8300)	Tubular Passage	30	Satin Nickel (4) Dark Oil Rubbed (8) Polished Chrome (9)	Satin Brass (3S) Satin Chrome (2) Polished Brass (3) Polished Nickel (4B) Flat Black (BK)	\$202.00
		Tubular Privacy	20			\$202.00
		Single Dummy	40			\$101.00
		Full Dummy	42			\$202.00
SQ Plate (Exposed) 	Colonial (4900) Alessa (8300) Handing not required for passage and privacy sets	Tubular Passage	30	Satin Nickel (4) Dark Oil Rubbed (8) Polished Chrome (9)	Satin Brass (3S) Satin Chrome (2) Polished Brass (3) Polished Nickel (4B) Flat Black (BK)	\$232.00
		Tubular Privacy	20			\$232.00
		Single Dummy	40			\$116.00
SE Plate (Exposed) 	Colonial (4900) Alessa (8300) Handing not required for passage and privacy sets	Tubular Passage	30	Satin Nickel (4) Dark Oil Rubbed (8) Polished Chrome (9)	Satin Brass (3S) Satin Chrome (2) Polished Brass (3) Polished Nickel (4B) Flat Black (BK)	\$298.00
		Tubular Privacy	20			\$298.00
		Single Dummy	40			\$149.00
SR Plate (Exposed) 	Colonial (4900) Alessa (8300) Handing not required for passage and privacy sets	Tubular Passage	30	Satin Nickel (4) Dark Oil Rubbed (8) Polished Chrome (9)	Satin Brass (3S) Satin Chrome (2) Polished Brass (3) Polished Nickel (4B) Flat Black (BK)	\$248.00
		Tubular Privacy	20			\$248.00
		Single Dummy	40			\$124.00

Unlacquered Brass (3U) available for 30% upcharge.



Colonial (4900)



Alessa (8300)

DESIGNER AMERICAN LEVERSETS

CHURCHILL 5000, CHESTERFIELD 1700, HAMPTON 4000



A



B



C



D

A. **Churchill Lever (5000)**
with TA rose
in Dark Oil Rubbed (8)





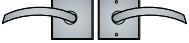


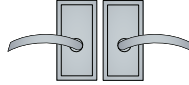
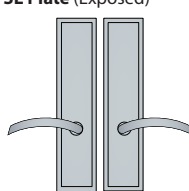
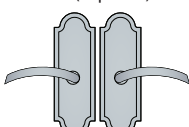
B. **Hampton Lever (4000)**
with AN rose
in Satin Nickel (4)

C. **Hampton Lever (4000)**
with AN rose
in Dark Oil Rubbed (8)

D. **Chesterfield Lever (1700)**
with TA rose
in Polished Brass (3)



DESIGNER AMERICAN LEVERSETS

Rose	Lever	Function	Code	Stocked Finish	Made to order Finishes	Price
BA Rose (Exposed)  BT Rose (Exposed) 	Churchill (5000) Chesterfield (1700) Hampton (4000)	Tubular Passage	30	Satin Nickel (4) Dark Oil Rubbed (8) Polished Chrome (9)	Satin Brass (3S) Satin Chrome (2) Polished Brass (3) Polished Nickel (4B) Flat Black (BK)	\$172.00
		Tubular Privacy	20			\$172.00
		Single Dummy	40			\$86.00
		Full Dummy	42			\$172.00
TA Rose (Concealed)  AN Rose (Concealed) 	Churchill (5000) Chesterfield (1700) Hampton (4000) Handing not required for passage and privacy sets	Tubular Passage	30	Satin Nickel (4) Dark Oil Rubbed (8) Polished Chrome (9)	Satin Brass (3S) Satin Chrome (2) Polished Brass (3) Polished Nickel (4B) Flat Black (BK)	\$218.00
		Tubular Privacy	20			\$218.00
		Single Dummy	40			\$109.00
		Full Dummy	42			\$218.00
BL Rose (Exposed)  BR Rose (Exposed)  BG Rose (Exposed) 	Churchill (5000) Chesterfield (1700) Hampton (4000)	Tubular Passage	30	Satin Nickel (4) Dark Oil Rubbed (8) Polished Chrome (9)	Satin Brass (3S) Satin Chrome (2) Polished Brass (3) Polished Nickel (4B) Flat Black (BK)	\$172.00
		Tubular Privacy	20			\$172.00
		Single Dummy	40			\$86.00
		Full Dummy	42			\$172.00
SQ Plate (Exposed) 	Churchill (5000) Chesterfield (1700) Hampton (4000) Handing not required for passage and privacy sets	Tubular Passage	30	Satin Nickel (4) Dark Oil Rubbed (8) Polished Chrome (9)	Satin Brass (3S) Satin Chrome (2) Polished Brass (3) Polished Nickel (4B) Flat Black (BK)	\$208.00
		Tubular Privacy	20			\$208.00
		Single Dummy	40			\$104.00
SE Plate (Exposed) 	Churchill (5000) Chesterfield (1700) Hampton (4000) Handing not required for passage and privacy sets	Tubular Passage	30	Satin Nickel (4) Dark Oil Rubbed (8) Polished Chrome (9)	Satin Brass (3S) Satin Chrome (2) Polished Brass (3) Polished Nickel (4B) Flat Black (BK)	\$274.00
		Tubular Privacy	20			\$274.00
		Single Dummy	40			\$137.00
SR Plate (Exposed) 	Churchill (5000) Chesterfield (1700) Hampton (4000) Handing not required for passage and privacy sets	Tubular Passage	30	Satin Nickel (4) Dark Oil Rubbed (8) Polished Chrome (9) Satin Brass (3S) Satin Chrome (2) Polished Brass (3) Polished Nickel (4B) Flat Black (BK)		\$224.00
		Tubular Privacy	20			\$224.00
		Single Dummy	40			\$112.00

Unlacquered Brass (3U) available for 30% upcharge.



Churchill (5000)



Chesterfield (1700)



Hampton (4000)

CLASSIC AMERICAN LEVERSETS

CHESTER 2000, CHILTERN 1600



A



B



C



D



**A. Chester Lever (2000)
with BR rose**

in Dark Oil Rubbed (8)

**B. Chiltern Lever (1600)
with TA rose**

in Polished Brass (3)





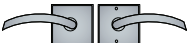



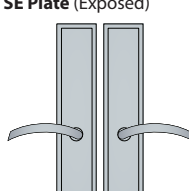
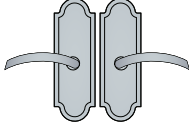
**C. Chiltern Lever (1600)
with BT rose**

in Polished Chrome (9)

**D. Chester Lever (2000)
with BT rose**

in Dark Oil Rubbed (8)

CLASSIC AMERICAN LEVERSETS

Rose	Lever	Function	Code	Stocked Finish	Made to order Finishes	Price
BA Rose (Exposed)  BT Rose (Exposed) 	Chester (2000) Chiltern (1600)	Tubular Passage	30	Satin Nickel (4) Dark Oil Rubbed (8) Polished Chrome (9)	Satin Brass (3S) Satin Chrome (2) Polished Brass (3) Polished Nickel (4B) Flat Black (BK)	\$136.00
		Tubular Privacy	20			\$136.00
		Single Dummy	40			\$68.00
		Full Dummy	42			\$136.00
TA Rose (Concealed)  AN Rose (Concealed) 	Chester (2000) Chiltern (1600) Handing not required for passage and privacy sets	Tubular Passage	30	Satin Nickel (4) Dark Oil Rubbed (8) Polished Chrome (9)	Satin Brass (3S) Satin Chrome (2) Polished Brass (3) Polished Nickel (4B) Flat Black (BK)	\$182.00
		Tubular Privacy	20			\$182.00
		Single Dummy	40			\$91.00
		Full Dummy	42			\$182.00
BL Rose (Exposed)  BR Rose (Exposed)  BG Rose (Exposed) 	Chester (2000) Chiltern (1600)	Tubular Passage	30	Satin Nickel (4) Dark Oil Rubbed (8) Polished Chrome (9)	Satin Brass (3S) Satin Chrome (2) Polished Brass (3) Polished Nickel (4B) Flat Black (BK)	\$136.00
		Tubular Privacy	20			\$136.00
		Single Dummy	40			\$68.00
		Full Dummy	42			\$136.00
SQ Plate (Exposed) 	Chester (2000) Chiltern (1600) Handing not required for passage and privacy sets	Tubular Passage	30	Satin Nickel (4) Dark Oil Rubbed (8) Polished Chrome (9)	Satin Brass (3S) Satin Chrome (2) Polished Brass (3) Polished Nickel (4B) Flat Black (BK)	\$172.00
		Tubular Privacy	20			\$172.00
		Single Dummy	40			\$86.00
SE Plate (Exposed) 	Chester (2000) Chiltern (1600) Handing not required for passage and privacy sets	Tubular Passage	30	Satin Nickel (4) Dark Oil Rubbed (8) Polished Chrome (9)	Satin Brass (3S) Satin Chrome (2) Polished Brass (3) Polished Nickel (4B) Flat Black (BK)	\$238.00
		Tubular Privacy	20			\$238.00
		Single Dummy	40			\$119.00
SR Plate (Exposed) 	Chester (2000) Chiltern (1600) Handing not required for passage and privacy sets	Tubular Passage	30	Satin Nickel (4) Dark Oil Rubbed (8) Polished Chrome (9)	Satin Brass (3S) Satin Chrome (2) Polished Brass (3) Polished Nickel (4B) Flat Black (BK)	\$188.00
		Tubular Privacy	20			\$188.00
		Single Dummy	40			\$94.00

Unlacquered Brass (3U) available for 30% upcharge.



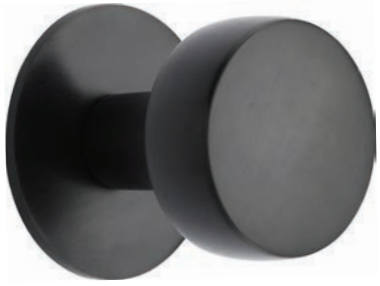
Chiltern (1600)



Chester (2000)

DESIGNER KNOBSETS

WINDSOR 9000, CARLISLE 6600, NEWPORT 9900, RICHMOND 9880, HELIOS 8800



A



B



C


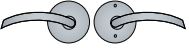






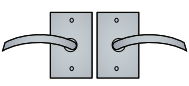

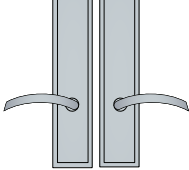
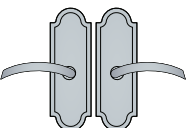


D



E

- A. **Helios Knob (8800)**
with **FR Rose**
in Dark Oil Rubbed (8)
- B. **Newport Knob (9900)**
with **BR Rose**
in Polished Chrome (9)
- C. **Richmond Knob (9880)**
with **BT rose**
in Polished Nickel (4B)
- D. **Carlisle Knob (6600)**
with **FR Rose**
in Dark Oil Rubbed (8)
- E. **Windsor Knob (9000)**
with **SQ Plate**
in Satin Nickel (4)

Rose	Knob	Function	Code	Stocked Finish	Made to order Finishes	Price
BC Rose (Exposed)  BA Rose (Exposed)  BT Rose (Exposed) 	Windsor (9000) Carlisle (6600) Newport (9900) Richmond (9880) Helios (8800)	Tubular Passage	30	Satin Nickel (4) Dark Oil Rubbed (8) Polished Chrome (9)	Satin Brass (3S) Satin Chrome (2) Polished Brass (3) Polished Nickel (4B) Flat Black (BK)	\$172.00
		Tubular Privacy	20			\$172.00
		Single Dummy	40			\$86.00
		Full Dummy	42			\$172.00
FS Rose⁽¹⁾ (Exposed)  FR Rose⁽¹⁾ (Exposed) 	Windsor (9000) Carlisle (6600) Newport (9900) Richmond (9880) Helios (8800)	Tubular Passage	30	Satin Nickel (4) Dark Oil Rubbed (8) Polished Chrome (9)	Satin Brass (3S) Satin Chrome (2) Polished Brass (3) Polished Nickel (4B) Flat Black (BK)	\$218.00
		Tubular Privacy	20			\$218.00
		Single Dummy	40			\$109.00
		Full Dummy	42			\$218.00
BL Rose (Exposed)  BR Rose (Exposed)  BG Rose (Exposed) 	Windsor (9000) Carlisle (6600) Newport (9900) Richmond (9880) Helios (8800)	Tubular Passage	30	Satin Nickel (4) Dark Oil Rubbed (8) Polished Chrome (9)	Satin Brass (3S) Satin Chrome (2) Polished Brass (3) Polished Nickel (4B) Flat Black (BK)	\$172.00
		Tubular Privacy	20			\$172.00
		Single Dummy	40			\$86.00
		Full Dummy	42			\$172.00
UB Plate (Exposed) 	Windsor (9000) Carlisle (6600) Newport (9900) Richmond (9880) Helios (8800)	Tubular Passage	30	Satin Nickel (4) Dark Oil Rubbed (8) Polished Chrome (9)	Satin Brass (3S) Satin Chrome (2) Polished Brass (3) Polished Nickel (4B) Flat Black (BK)	\$172.00
		Tubular Privacy	20			\$172.00
		Single Dummy	40			\$86.00
SQ Plate (Exposed) 	Windsor (9000) Carlisle (6600) Newport (9900) Richmond (9880) Helios (8800)	Tubular Passage	30	Satin Nickel (4) Dark Oil Rubbed (8) Polished Chrome (9)	Satin Brass (3S) Satin Chrome (2) Polished Brass (3) Polished Nickel (4B) Flat Black (BK)	\$208.00
		Tubular Privacy	20			\$208.00
		Single Dummy	40			\$104.00
SE Plate (Exposed) 	Windsor (9000) Carlisle (6600) Newport (9900) Richmond (9880) Helios (8800)	Tubular Passage	30	Satin Nickel (4) Dark Oil Rubbed (8) Polished Chrome (9)	Satin Brass (3S) Satin Chrome (2) Polished Brass (3) Polished Nickel (4B) Flat Black (BK)	\$274.00
		Tubular Privacy	20			\$274.00
		Single Dummy	40			\$137.00
SR Plate (Exposed) 	Windsor (9000) Carlisle (6600) Newport (9900) Richmond (9880) Helios (8800)	Tubular Passage	30	Satin Nickel (4) Dark Oil Rubbed (8) Polished Chrome (9)	Satin Brass (3S) Satin Chrome (2) Polished Brass (3) Polished Nickel (4B) Flat Black (BK)	\$224.00
		Tubular Privacy	20			\$224.00
		Single Dummy	40			\$112.00

Maximum 2 1/2" door thickness for all knobsets. Unlacquered Brass (3U) available for 30% upcharge.

(1) Minimum 1 3/4" door thickness required for FR and FS roses.



Helios (8800)



Newport (9900)



Richmond (9880)



Windsor (9000)



Carlisle (6600)

Ashley Norton



To order: Rose + Knob + Function + Finish + Backset
Add door thickness to comments

DEADBOLTS

Deadbolt	Function	Stocked Finish	Made to order Finishes	Price
Round Deadbolt Diameter: 2 1/2" 	DB4100 Single Keyed	Satin Nickel (4) Dark Oil Rubbed (8) Polished Chrome (9)	Satin Brass (3S) Satin Chrome (2) Polished Brass (3) Polished Nickel (4B) Flat Black (BK)	\$110.00
	DB4200 Double Keyed			\$124.00
	DB4700 Patio Deadbolt			\$100.00
Traditional Deadbolt Diameter: 2 1/2" 	DB4190 Single Keyed	Satin Nickel (4) Dark Oil Rubbed (8) Polished Chrome (9)	Satin Brass (3S) Satin Chrome (2) Polished Brass (3) Polished Nickel (4B) Flat Black (BK)	\$110.00
	DB4290 Double Keyed			\$124.00
	DB4790 Patio Deadbolt			\$100.00
Contemporary Round Deadbolt Diameter: 2 1/2" 	DB4120 Single Keyed	Satin Nickel (4) Dark Oil Rubbed (8) Polished Chrome (9)	Satin Brass (3S) Satin Chrome (2) Polished Brass (3) Polished Nickel (4B) Flat Black (BK)	\$110.00
	DB4200 Double Keyed			\$124.00
	DB4720 Patio Deadbolt			\$100.00
Contemporary Square Deadbolt 2 1/2" x 2 1/2" 	DB4130 Single Keyed	Satin Nickel (4) Dark Oil Rubbed (8) Polished Chrome (9)	Satin Brass (3S) Satin Chrome (2) Polished Brass (3) Polished Nickel (4B) Flat Black (BK)	\$110.00
	DB4230 Double Keyed			\$124.00
	DB4730 Patio Deadbolt			\$100.00
City Square Deadbolt 2 1/2" x 2 1/2" 	DB4170 Single Keyed	Satin Nickel (4) Dark Oil Rubbed (8) Polished Chrome (9)	Satin Brass (3S) Satin Chrome (2) Polished Brass (3) Polished Nickel (4B) Flat Black (BK)	\$110.00
	DB4230 Double Keyed			\$124.00
	DB4770 Patio Deadbolt			\$100.00
City Square Deadbolt without keycover 2 1/2" x 2 1/2" 	DB4180 Single Keyed	Satin Nickel (4) Dark Oil Rubbed (8) Polished Chrome (9)	Satin Brass (3S) Satin Chrome (2) Polished Brass (3) Polished Nickel (4B) Flat Black (BK)	\$110.00
	DB4280 Double Keyed			\$124.00
	DB4770 Patio Deadbolt			\$100.00
Rectangular Deadbolt 3" x 2 1/2" 	DB4150 Single Keyed	Satin Nickel (4) Dark Oil Rubbed (8) Polished Chrome (9)	Satin Brass (3S) Satin Chrome (2) Polished Brass (3) Polished Nickel (4B) Flat Black (BK)	\$144.00
	DB4250 Double Keyed			\$158.00
	DB4750 Patio Deadbolt			\$134.00
Arched Deadbolt 4" x 2 1/2" 	DB4165 Single Keyed	Satin Nickel (4) Dark Oil Rubbed (8) Polished Chrome (9)	Satin Brass (3S) Satin Chrome (2) Polished Brass (3) Polished Nickel (4B) Flat Black (BK)	\$144.00
	DB4265 Double Keyed			\$158.00
	DB4765 Patio Deadbolt			\$134.00

Minimum door thickness 1 3/4". Maximum door thickness 3" for single-keyed deadbolts; 2 1/4" for double-keyed deadbolts. Unlacquered Brass (3U) available for 30% upcharge.

PRIVACY BOLTS

Privacy Bolt	Stocked Finish	Made to order Finishes	Price
C586 Privacy Bolt Diameter: 1 3/8" 	Satin Nickel (4) Dark Oil Rubbed (8) Polished Chrome (9)	Satin Brass (3S) Satin Chrome (2) Polished Brass (3) Polished Nickel (4B) Flat Black (BK)	\$62.00
V4043 Privacy Bolt Diameter: 2 1/8" 	Satin Nickel (4) Dark Oil Rubbed (8) Polished Chrome (9)	Satin Brass (3S) Satin Chrome (2) Polished Brass (3) Polished Nickel (4B) Flat Black (BK)	\$72.00
RE4043 Privacy Bolt 2 1/8" x 2 1/8" 	Satin Nickel (4) Dark Oil Rubbed (8) Polished Chrome (9)	Satin Brass (3S) Satin Chrome (2) Polished Brass (3) Polished Nickel (4B) Flat Black (BK)	\$72.00

Unlacquered Brass (3U) available for 30% upcharge.

MORTISE ENTRY HANDLESETS



UBSGL Escutcheon
 Exterior: 17" x 2 1/2"
 Interior: 10" x 2 1/2"
 Shown with Meridian 3100 lever
 in Satin Nickel (4)



SQSGL Escutcheon
 Exterior: 18" x 3"
 Interior: 11" x 2 1/2"
 Shown with Apollo 4500 lever
 in Dark Oil Rubbed (8)

To improve ease of operation, we have removed the cylinder cover from grip entrysets in our Solid Brass Collection. Should you require the prior version with the cylinder cover to complete existing projects, contact us for availability.

Escutcheon	Lever or Knob	Function	Code	Handing	Stocked Finish	Made to order Finishes	Backset	Price
UBSGL	See pages 9 to 11 for lever and knob options	Mortise Entry ANSI F12 (1)	10	LH/RH LR/RR	Satin Nickel (4) Dark Oil Rubbed (8) Polished Chrome (9)	Satin Brass (3S) Satin Chrome (2) Polished Brass (3) Polished Nickel (4B) Flat Black (BK)	2 1/2" 2 3/4"	\$890.00
		Dormitory ANSI F13 (2)	11					\$890.00
		Full Dummy	42					\$600.00
SQSGL	See pages 9 to 11 for lever and knob options	Mortise Entry ANSI F12 (1)	10	LH/RH LR/RR	Satin Nickel (4) Dark Oil Rubbed (8) Polished Chrome (9)	Satin Brass (3S) Satin Chrome (2) Polished Brass (3) Polished Nickel (4B) Flat Black (BK)	2 1/2" 2 3/4"	\$890.00
		Dormitory ANSI F13 (2)	11					\$890.00
		Full Dummy	42					\$600.00

Minimum 1 3/4" door thickness, maximum 3" thickness. For doors 2 1/2" or thicker, a \$100 list upcharge applies.

Handing is required for all mortise entrysets. If doors swing out, this must be specified.

(1) With ANSI F12 entry lock, retracting deadbolt by using turnpiece or inside lever leaves thumb latch locked, until toggle on side of lock is operated.

(2) With ANSI F13 dormitory lock, retracting deadbolt by using turnpiece or inside lever unlocks the outside thumb latch.

Unlacquered Brass (3U) available for 30% upcharge.

MORTISE ENTRY HANDLESETS



UBMOR Escutcheon
10" x 2 1/2"
Shown with Apollo 4500 lever
in Dark Oil Rubbed (8)



SQMOR Escutcheon
13" x 2 1/2"
Shown with Hampton 4000 lever
in Satin Brass (3S)

To improve ease of operation, we have removed the cylinder cover from mortise entrysets in our Solid Brass Collection. Should you require the prior version with the cylinder cover to complete existing projects, contact us for availability.

Narrow backset locks, and commercial functions such as Storeroom, Classroom, Office, etc. are quoted on request. Contact us to discuss your requirements.

Escutcheon	Lever or Knob	Function	Code	Handing	Stocked Finish	Made to order Finishes	Backset	Price
UBMOR	See pages 9 to 11 for lever and knob options	Mortise Entry ANSI F12 (1)	12	LH/RH LR/RR	Satin Nickel (4) Dark Oil Rubbed (8) Polished Chrome (9)	Satin Brass (3S) Satin Chrome (2) Polished Brass (3) Polished Nickel (4B) Flat Black (BK)	2 1/2"	\$750.00
		Dormitory ANSI F13 (2)	13				2 3/4"	\$750.00
		Full Dummy	22				Contact us if narrow backset required	\$470.00
SQMOR	See pages 9 to 11 for lever and knob options	Mortise Entry ANSI F12 (1)	12	LH/RH LR/RR	Satin Nickel (4) Dark Oil Rubbed (8) Polished Chrome (9)	Satin Brass (3S) Satin Chrome (2) Polished Brass (3) Polished Nickel (4B) Flat Black (BK)	2 1/2"	\$750.00
		Dormitory ANSI F13 (2)	13				2 3/4"	\$750.00
		Full Dummy	22				Contact us if narrow backset required	\$470.00

Minimum 1 3/4" door thickness, maximum 3" thickness. For doors 2 1/2" or thicker, a \$100 list upcharge applies.

Handing is required for all mortise entrysets. If doors swing out, this must be specified.

(1) With ANSI F12 entry lock, retracting deadbolt by using turnpiece or inside lever leaves outside lever locked, until toggle on side of lock is operated.

(2) With ANSI F13 dormitory lock, retracting deadbolt by using turnpiece or inside lever unlocks the outside lever.

Unlacquered Brass (3U) available for 30% upcharge.

TUBULAR ENTRY HANDLESETS



UBTUB Escutcheon
 Exterior: 17" x 2 1/2"
 Interior: 10 1/2" x 2 1/2"
 Shown with Helios 8800 knob
 in Polished Chrome (9)



SQTUB Escutcheon
 Exterior: 18" x 3"
 Interior: 11" x 2 1/2"
 Shown with Windsor 9000 knob
 in Satin Nickel (4)

To improve ease of operation, we have removed the cylinder cover from grip entrysets in our Solid Brass Collection. Should you require the prior version with the cylinder cover to complete existing projects, contact us for availability.

Escutcheon	Lever or Knob	Function	Code	Handing	Stocked Finish	Made to order Finishes	Backset	Price
UBTUB	See pages 9 to 11 for lever and knob options	Tubular Entry	50	LH/RH	Satin Nickel (4) Dark Oil Rubbed (8) Polished Chrome (9)	Satin Brass (3S) Satin Chrome (2) Polished Brass (3) Polished Nickel (4B) Flat Black (BK)	2 3/8"	\$580.00
		Full Dummy	42				2 3/4"	
SQTUB	See pages 9 to 11 for lever and knob options	Tubular Entry	50	LH/RH	Satin Nickel (4) Dark Oil Rubbed (8) Polished Chrome (9)	Satin Brass (3S) Satin Chrome (2) Polished Brass (3) Polished Nickel (4B) Flat Black (BK)	2 3/8"	\$580.00
		Full Dummy	42				2 3/4"	

Minimum 1 3/4" door thickness, maximum 2 1/2" thickness.

Suitable for doors with standard 5 1/2" centers.

Unlacquered Brass (3U) available for 30% upcharge.

TUBULAR ENTRY HANDLESETS



UBLES Escutcheon
10" x 2 1/2"
Shown with Atlas 3750 lever
in Dark Oil Rubbed (8)



SQLES Escutcheon
13" x 2 1/2"
Shown with Everest 7100 lever
in Dark Oil Rubbed (8)



SPLES Escutcheon
13" x 2 1/2"
Shown with Windsor 9000 knob
in Satin Brass (3S)

Escutcheon	Lever or Knob	Function	Code	Handing	Stocked Finish	Made to order Finishes	Backset	Price
UBLES	See pages 9 to 11 for lever and knob options	Tubular Entry	50	LH/RH	Satin Nickel (4) Dark Oil Rubbed (8) Polished Chrome (9)	Satin Brass (3S) Satin Chrome (2) Polished Brass (3) Polished Nickel (4B) Flat Black (BK)	2 3/8"	\$390.00
		Tubular Patio	43				2 3/4"	\$390.00
		Double Entry	52					\$420.00
		Full Dummy	42					\$370.00
SQLES	See pages 9 to 11 for lever and knob options	Tubular Entry	50	LH/RH	Satin Nickel (4) Dark Oil Rubbed (8) Polished Chrome (9)	Satin Brass (3S) Satin Chrome (2) Polished Brass (3) Polished Nickel (4B) Flat Black (BK)	2 3/8"	\$390.00
		Tubular Patio	43				2 3/4"	\$390.00
		Double Entry	52					\$420.00
		Full Dummy	42					\$370.00
SPLES	See pages 9 to 11 for lever and knob options	Tubular Entry	50	LH/RH		Satin Nickel (4) Dark Oil Rubbed (8) Polished Chrome (9) Satin Brass (3S) Satin Chrome (2) Polished Brass (3) Polished Nickel (4B) Flat Black (BK)	2 3/8"	\$390.00
		Tubular Patio	43				2 3/4"	\$390.00
		Double Entry	52					\$420.00
		Full Dummy	42					\$370.00

Minimum 1 3/4" door thickness. Maximum 3" for single keyed entry or patio; max 2 1/4" thickness for double keyed entry.

Suitable for doors with standard 5 1/2" centers.

Unlacquered Brass (3U) available for 30% upcharge.

MULTIPOINT HANDLESETS

AMERICAN CYLINDER BELOW LEVER (92MM CTC)



UBLP4 Escutcheon
 10" x 1 3/4"
 Shown with Apollo 4500 lever
 in Polished Nickel (4B)

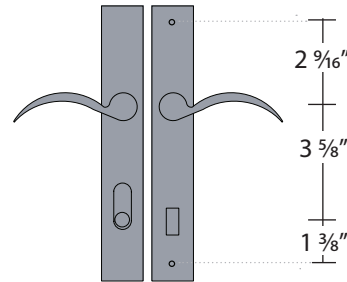


SQLP4 Escutcheon
 10 1/8" x 1 3/4"
 Shown with Hampton 4000 lever
 in Dark Oil Rubbed (8)

Configuration 1

Suitable for Lepage Millwork, lever high G-U locks, and other locks operated by American cylinder with 92mm CTC.
 For Pella and Milgard doors, see Configuration 6 on page 36.

Door manufacturers listed for reference only and subject to change.



Escutcheon	Lever	Function	Code	Handing	Stocked Finish	Made to order Finishes	Price
UBLP4	See pages 9 to 10 for lever options	Keyed Entry	55	LH/RH	Satin Nickel (4) Dark Oil Rubbed (8) Polished Chrome (9)	Satin Brass (35) Satin Chrome (2) Polished Brass (3) Polished Nickel (4B) Flat Black (BK)	\$302.00
		Patio	53				\$292.00
		Full Dummy	42				\$272.00
SQLP4	See pages 9 to 10 for lever options	Keyed Entry	55	LH/RH	Satin Nickel (4) Dark Oil Rubbed (8) Polished Chrome (9)	Satin Brass (35) Satin Chrome (2) Polished Brass (3) Polished Nickel (4B) Flat Black (BK)	\$302.00
		Patio	53				\$292.00
		Full Dummy	42				\$272.00

Screw to screw: 7 9/16"

Unlacquered Brass (3U) available for 30% upcharge.

Ensure necessary opening/closing clearance when using any Fountain design lever. Distance from center of stem to end of lever overhang is 3/4".

MULTIPOINT HANDLESETS AMERICAN CYLINDER ABOVE LEVER (92MM CTC)



UBEG4 Escutcheon
10" x 1 3/4"
Shown with Apollo 4500 lever
in Polished Chrome (9)

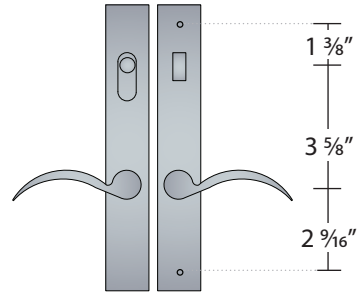


SQEG4 Escutcheon
10 1/8" x 1 3/4"
Shown with Hampton 4000 lever
in Dark Oil Rubbed (8)

Configuration 2

Suitable for Sierra Pacific Wisconsin Product (formerly Hurd), Biltbest and others utilizing G-U locks operated by American tailpiece with 92mm CTC.

Door manufacturers listed for reference only and subject to change.



Escutcheon	Lever	Function	Code	Handing	Stocked Finish	Made to order Finishes	Price
UBEG4	See pages 9 to 10 for lever options	Keyed Entry	55	LH/RH	Satin Nickel (4) Dark Oil Rubbed (8) Polished Chrome (9)	Satin Brass (3S)	\$302.00
		Patio	53			Satin Chrome (2)	\$292.00
		Full Dummy	47			Polished Brass (3) Polished Nickel (4B) Flat Black (BK)	\$272.00
SQEG4	See pages 9 to 10 for lever options	Keyed Entry	55	LH/RH	Satin Nickel (4) Dark Oil Rubbed (8) Polished Chrome (9)	Satin Brass (3S)	\$302.00
		Patio	53			Satin Chrome (2)	\$292.00
		Full Dummy	47			Polished Brass (3) Polished Nickel (4B) Flat Black (BK)	\$272.00

Screw to screw: 7 9/16"

Unlacquered Brass (3U) available for 30% upcharge.

Ensure necessary opening/closing clearance when using any Fountain design lever. Distance from center of stem to end of lever overhang is 3/4".

MULTIPOINT HANDLESETS

HANDLESETS FOR ASHLAND LOCKS



UBMR4 Escutcheon
10" x 1 3/4"
Shown with Atlas 3750 lever
in Satin Nickel (4)



SQMR4 Escutcheon
10 1/8" x 1 7/8"
Shown with Chester 2000 lever
in Satin Nickel (4)

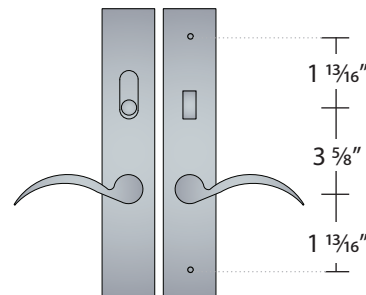


SPMR4 Escutcheon
11 1/2" x 1 7/8"
Shown with Churchill 5000 lever
in Dark Oil Rubbed (8)

Configuration 4

Suitable for Caradco, JELD-WEN⁽¹⁾, Marvin⁽²⁾, PGT and Weather Shield⁽¹⁾ doors, and other using Ashland multipoint locks.

Door manufacturers listed for reference only and subject to change.



Escutcheon	Lever	Function	Code	Handing	Stocked Finish	Made to order Finishes	Price
UBMR4	See pages 9 to 10 for lever options	Keyed Entry	55	LH/RH	Satin Nickel (4) Dark Oil Rubbed (8) Polished Chrome (9)	Satin Brass (35)	\$302.00
		Patio	53			Satin Chrome (2)	\$292.00
		Full Dummy	47			Polished Brass (3)	\$272.00
		Passive ⁽³⁾	39			Polished Nickel (4B)	\$282.00
SQMR4	See pages 9 to 10 for lever options	Keyed Entry	55	LH/RH	Satin Nickel (4) Dark Oil Rubbed (8) Polished Chrome (9)	Satin Brass (35)	\$302.00
		Patio	53			Satin Chrome (2)	\$292.00
		Full Dummy	47			Polished Brass (3)	\$272.00
		Passive ⁽³⁾	39			Polished Nickel (4B)	\$282.00
SPMR4	See pages 9 to 10 for lever options	Keyed Entry	55	LH/RH	Satin Nickel (4) Dark Oil Rubbed (8) Polished Chrome (9)	Satin Brass (35)	\$302.00
		Patio	53			Satin Chrome (2)	\$292.00
		Full Dummy	47			Polished Brass (3)	\$272.00
		Passive ⁽³⁾	39			Polished Nickel (4B)	\$282.00
						Flat Black (BK)	

Screw to screw: 7 1/4". Unlacquered Brass (3U) available for 30% upcharge.

(1) JELD-WEN and Weather Shield doors may use either Hoppe or Ashland locks depending on product range and manufacture date.

(2) For true Marvin doors only, not suitable for Integrity.

(3) Passive function has operable levers, no key cylinder or thumbturn. Marvin and Weather Shield doors require Passive function on the secondary panel of double doors where active multipoint hardware is present.

MULTIPOINT HANDLESETS

PROFILE CYLINDER BELOW LEVER (92MM CTC)



UBEU4 Escutcheon
 10" x 1 3/4"
 Shown with Centaur 3490 lever
 in Dark Oil Rubbed (8)



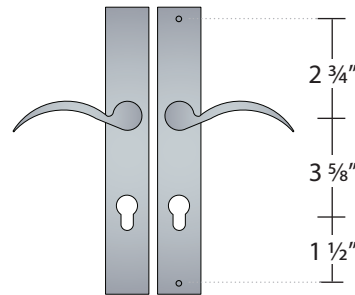
SQUEU4 Escutcheon
 10 1/8" x 1 3/4"
 Shown with Churchill 5000 lever
 in Dark Oil Rubbed (8)

Configuration 5

Suitable for JELD-WEN⁽¹⁾, Kolbe, KFV, Lincoln, Loewen, Norco, Peachtree, Semco, Weather Shield⁽¹⁾, Sierra Pacific⁽²⁾, Windsor and Vetter doors, and others utilizing Hoppe locks with 92mm CTC.

Door manufacturers listed for reference and subject to change.

Contact us before ordering split finish sets with profile cylinders as upcharge may apply.



Offset cylinder available for certain 2 1/4" doors. Contact us for details.

Escutcheon	Lever	Function	Code	Handing	Stocked Finish	Made to order Finishes	Price
UBEU4	See pages 9 to 10 for lever options	Keyed Entry	57	LH/RH	Satin Nickel (4) Dark Oil Rubbed (8) Polished Chrome (9)	Satin Brass (3S) Satin Chrome (2)	\$302.00
		Patio	58			Polished Brass (3) Polished Nickel (4B) Flat Black (BK)	\$292.00
		Full Dummy	42				\$272.00
SQUEU4	See pages 9 to 10 for lever options	Keyed Entry	57	LH/RH	<i>Contact us to discuss options and pricing before ordering split finish keyed entry sets, as split finish profile cylinders are not available.</i>	Satin Brass (3S) Satin Chrome (2)	\$302.00
		Patio	58			Polished Brass (3) Polished Nickel (4B) Flat Black (BK)	\$292.00
		Full Dummy	42				\$272.00

Unless otherwise specified, we assume the lock is centered within door. Offset cylinders are available for certain 2 1/4" applications, contact us for details and pricing.

Screw to screw: 7 7/8"

Ensure necessary opening/closing clearance when using any Fountain design lever. Distance from center of stem to end of lever overhang is 3/4". Unlacquered Brass (3U) available for 30% upcharge.

(1) JELD-WEN and Weather Shield doors may use either Hoppe or Ashland locks depending on product range and manufacture date.

(2) Sierra Pacific Wisconsin Product (formerly Hurd) uses G-U locks, please see Configuration 2 on page 33.

MULTIPOINT HANDLESETS

AMERICAN CYLINDER BELOW LEVER (92MM CTC)



UBUS4 Escutcheon

10" x 1 3/4"

Shown with Apollo 4500 lever
in Polished Chrome (9)



SQUS4 Escutcheon

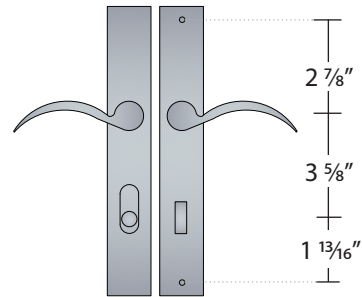
10 1/8" x 1 3/4"

Shown with Colonial 4900 lever
in Satin Brass (35)

Configuration 6

Suitable for Pella and Milgard doors, and others utilizing American tailpiece with 92mm CTC.

Door manufacturers listed for reference and subject to change.



Escutcheon	Lever	Function	Code	Handing	Stocked Finish	Made to order Finishes	Price
UBUS4	See pages 9 to 10 for lever options	Keyed Entry	55	LH/RH	Satin Nickel (4) Dark Oil Rubbed (8) Polished Chrome (9)	Satin Brass (35)	\$302.00
		Patio	53			Satin Chrome (2) Polished Brass (3) Polished Nickel (4B) Flat Black (BK)	\$292.00
		Full Dummy	42				\$272.00
SQUS4	See pages 9 to 10 for lever options	Keyed Entry	55	LH/RH	Satin Nickel (4) Dark Oil Rubbed (8) Polished Chrome (9)	Satin Brass (35)	\$302.00
		Patio	53			Satin Chrome (2) Polished Brass (3) Polished Nickel (4B) Flat Black (BK)	\$292.00
		Full Dummy	42				\$272.00

Screw to screw: 8 5/16"

Unlacquered Brass (3U) available for 30% upcharge.

Ensure necessary opening/closing clearance when using any Fountain design lever. Distance from center of stem to end of lever overhang is 3/4".

Specialty Door Hardware



POCKET DOOR HARDWARE



Sliding/Pocket Door Hardware

Shown in Satin Nickel (4) finish

Plate Dimensions: 7 3/4" x 2 1/4"

Plate Depth: 7/16"

Supplied with mortise lock


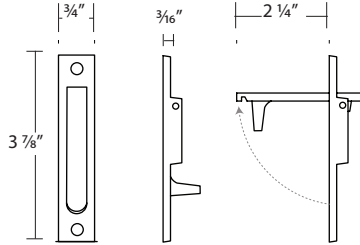

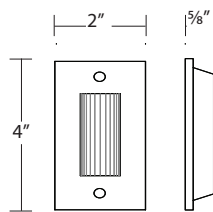

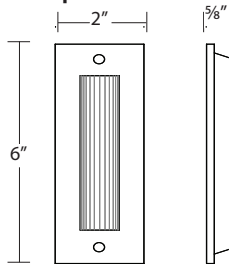

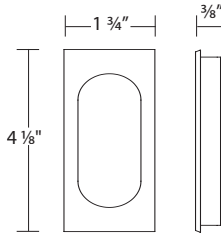

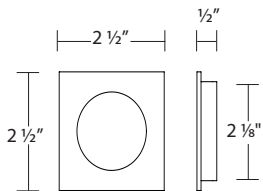
Minimum door thickness 1 3/4"

Maximum door thickness 2 1/4"

Escutcheon	Function	Stocked Finish	Made to order Finishes	Price
	C1840.25 <ul style="list-style-type: none"> • PRIVACY FUNCTION • INCLUDES MORTISE LOCK / PULL • MINIMUM DOOR THICKNESS 1 3/4" 	Satin Nickel (4) Dark Oil Rubbed (8) Polished Chrome (9)	Satin Brass (3S) Satin Chrome (2) Polished Brass (3) Polished Nickel (4B) Flat Black (BK)	\$472.00
	C1840.25 DBL <ul style="list-style-type: none"> • PRIVACY FUNCTION FOR DOUBLE DOORS • INCLUDES MORTISE LOCK / PULL AND MORTISE STRIKE / PULL • MINIMUM DOOR THICKNESS 1 3/4" 	Satin Nickel (4) Dark Oil Rubbed (8) Polished Chrome (9)	Satin Brass (3S) Satin Chrome (2) Polished Brass (3) Polished Nickel (4B) Flat Black (BK)	\$934.00
	C1840.44 <ul style="list-style-type: none"> • PATIO FUNCTION • INCLUDES MORTISE LOCK / PULL • MINIMUM DOOR THICKNESS 1 3/4" 	Satin Nickel (4) Dark Oil Rubbed (8) Polished Chrome (9)	Satin Brass (3S) Satin Chrome (2) Polished Brass (3) Polished Nickel (4B) Flat Black (BK)	\$472.00
	C1840.44 DBL <ul style="list-style-type: none"> • PATIO FUNCTION FOR DOUBLE DOORS • INCLUDES MORTISE LOCK / PULL AND MORTISE STRIKE / PULL • MINIMUM DOOR THICKNESS 1 3/4" 	Satin Nickel (4) Dark Oil Rubbed (8) Polished Chrome (9)	Satin Brass (3S) Satin Chrome (2) Polished Brass (3) Polished Nickel (4B) Flat Black (BK)	\$934.00
	C1840.34 <ul style="list-style-type: none"> • PASSAGE FUNCTION • INCLUDES MORTISE PULL • MINIMUM DOOR THICKNESS 1 3/4" 	Satin Nickel (4) Dark Oil Rubbed (8) Polished Chrome (9)	Satin Brass (3S) Satin Chrome (2) Polished Brass (3) Polished Nickel (4B) Flat Black (BK)	\$388.00
	C1840.40 <ul style="list-style-type: none"> • FLUSH PULL • SINGLE PULL SUPPLIED • NO LOCK 	Satin Nickel (4) Dark Oil Rubbed (8) Polished Chrome (9)	Satin Brass (3S) Satin Chrome (2) Polished Brass (3) Polished Nickel (4B) Flat Black (BK)	\$68.00

Unlacquered Brass (3U) available at 10% upcharge for pocket door hardware shown on this page.

EDGE PULLS AND FLUSH PULLS

Edge/Flush Pull	Code/ Dimensions	Stocked Finish	Made to order Finishes	Price
	C1165 Edge pull 	Satin Nickel (4) Dark Oil Rubbed (8) Polished Chrome (9)	Satin Brass (3S) Satin Chrome (2) Polished Brass (3) Polished Nickel (4B) Flat Black (BK)	\$18.00
	C1820 4" Flush pull 	Satin Nickel (4) Dark Oil Rubbed (8) Polished Chrome (9)	Satin Brass (3S) Satin Chrome (2) Polished Brass (3) Polished Nickel (4B) Flat Black (BK)	\$28.00
	C1820 6" Flush pull 	Satin Nickel (4) Dark Oil Rubbed (8) Polished Chrome (9)	Satin Brass (3S) Satin Chrome (2) Polished Brass (3) Polished Nickel (4B) Flat Black (BK)	\$36.00
	C1850 4" Flush pull 	Satin Nickel (4) Dark Oil Rubbed (8) Polished Chrome (9)	Satin Brass (3S) Satin Chrome (2) Polished Brass (3) Polished Nickel (4B) Flat Black (BK)	\$26.00
	C1860 Square Flush Pull 	Satin Nickel (4) Dark Oil Rubbed (8) Polished Chrome (9)	Satin Brass (3S) Satin Chrome (2) Polished Brass (3) Polished Nickel (4B) Flat Black (BK)	\$21.00

Unlacquered Brass (3U) available for 30% upcharge.

DOOR STOPS

Door Stops	Stocked Finish	Made to order Finishes	Price
<p>C131 Baseboard Door Stop 3" Length Shown in Satin Nickel (4)</p> 	Satin Nickel (4) Dark Oil Rubbed (8) Polished Chrome (9)	Satin Brass (3S) Satin Chrome (2) Polished Brass (3) Polished Nickel (4B) Flat Black (BK)	\$15.00
<p>V1081 Wall Mounted Door Stop 3" Length Shown in Satin Brass (3S)</p> 	Satin Nickel (4) Dark Oil Rubbed (8) Polished Chrome (9)	Satin Brass (3S) Satin Chrome (2) Polished Brass (3) Polished Nickel (4B) Flat Black (BK)	\$21.00
<p>V1084 Square Wall Mounted Door Stop 3" Length Shown in Polished Chrome (9)</p> 	Satin Nickel (4) Dark Oil Rubbed (8) Polished Chrome (9)	Satin Brass (3S) Satin Chrome (2) Polished Brass (3) Polished Nickel (4B) Flat Black (BK)	\$21.00
<p>C134 Goose Neck Door Stop Footprint: 2 ¼" x 1 ¾" Height: 2" to center of rubber, 2 ½" total Shown in Dark Oil Rubbed (8)</p> 	Satin Nickel (4) Dark Oil Rubbed (8) Polished Chrome (9)	Satin Brass (3S) Satin Chrome (2) Polished Brass (3) Polished Nickel (4B) Flat Black (BK)	\$31.20
<p>V1088 Round Floor Mounted Door Stop Base Dia.: 1 ½" Height: 1 ½" Shown in Satin Brass (3S)</p> 	Satin Nickel (4) Dark Oil Rubbed (8) Polished Chrome (9)	Satin Brass (3S) Satin Chrome (2) Polished Brass (3) Polished Nickel (4B) Flat Black (BK)	\$24.00
<p>V1089 Floor Mounted Door Stop Footprint: 1 ½" x 1 ½" Height: 1 ¾" Shown in Satin Nickel (4)</p> 	Satin Nickel (4) Dark Oil Rubbed (8) Polished Chrome (9)	Satin Brass (3S) Satin Chrome (2) Polished Brass (3) Polished Nickel (4B) Flat Black (BK)	\$26.00

Unlacquered Brass (3U) available for 30% upcharge.

SLIDING HARDWARE



Single Point Sliding Handle

8 3/8" x 1"

- Suitable for locks with mounting holes 100mm (3.94") apart, with offset tailpiece
- Thumbturn located 31mm (1.22") above lower screw
- Narrow (1" wide) plate makes this ideal for doors with small stiles
- Ashley Norton supplies trim only, lock is not included

Function	Code	Stocked Finish	Made to order Finishes	Price
Patio	SLDPULL-OS.43	Satin Nickel (4) Dark Oil Rubbed (8) Polished Chrome (9)	Satin Brass (3S) Satin Chrome (2) Polished Brass (3) Polished Nickel (4B) Flat Black (BK)	\$210.00
Dummy	SLDPULL.42	Satin Nickel (4) Dark Oil Rubbed (8) Polished Chrome (9)	Satin Brass (3S) Satin Chrome (2) Polished Brass (3) Polished Nickel (4B) Flat Black (BK)	\$202.00

Unlacquered Brass (3U) available for 30% upcharge.

SOLID BRASS HINGES



Solid Brass Hinge

Ashley Norton offers hinges to complement our Solid Brass door hardware. Our plain bearing, full mortise hinges are manufactured from solid brass extrusions to current ANSI template specifications. Assorted finial tips are available.

- Manufactured from solid brass extrusions to ensure strength and precision tolerance.
- Full mortise, plain bearing hinges featuring removable grade 304 stainless steel pin to resist corrosion
- Template screw hole location for use with wood doors and frames
- Supplied as standard with button finials, ball finial available
- Finials threaded into barrel of hinge to prevent pin from rising
- Hinges beveled on inside leaf to obtain tight fit when viewing in closed position
- Hinges are not available in Flat Black (BK) finish



HIN-F-BAL

Item No.	Description	Wt. /box	Thickness	Screws Included
HIN3535	3 ½ x 3 ½" Plain Bearing Hinge	1.4 lb	0.123"	6x #10 x 1" screws per hinge
HIN4040	4 x 4" Plain Bearing Hinge	1.8 lb	0.130"	8x #12 x 1 ¼" screws per hinge
HIN4545	4 ½ x 4 ½" Plain Bearing Hinge	2.1 lb	0.134"	8x #12 x 1 ¼" screws per hinge

Item No.	Description	Quantity	Stocked Finish	Made to order Finishes	Price
HIN3535	3 ½ x 3 ½" Plain Bearing Hinge	Each	Satin Nickel (4) Dark Oil Rubbed (8) Polished Chrome (9)	Satin Brass (3S) Satin Chrome (2) Polished Brass (3) Polished Nickel (4B)	\$39.00
HIN4040	4 x 4" Plain Bearing Hinge	Each			\$41.00
HIN4545	4 ½ x 4 ½" Plain Bearing Hinge	Each			\$44.00
HIN-F-BAL	Ball Finial	Pair	Satin Nickel (4) Dark Oil Rubbed (8) Polished Chrome (9)	Satin Brass (3S) Satin Chrome (2) Polished Brass (3) Polished Nickel (4B)	\$13.00

NRP option available, \$8.00 list upcharge per hinge. Unlacquered Brass (3U) available for 30% upcharge.

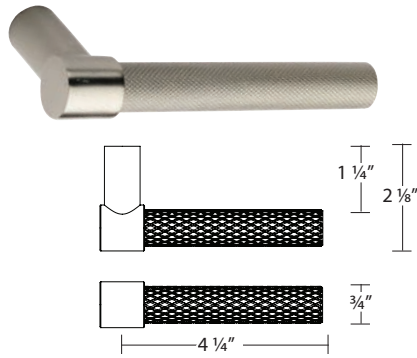
Replacement Parts Item No.	Description	Quantity	Stocked Finish	Made to order Finishes	Price
HIN-F-BUT	Button Finials	Pair	Satin Nickel (4) Dark Oil Rubbed (8) Polished Chrome (9)	Satin Brass (3S) Satin Chrome (2) Polished Brass (3) Polished Nickel (4B)	\$11.00
HIN-S-10W	#10 x 1" wood screw	Pack of 6			\$6.00
HIN-S-12W	#12 x 1 ¼" wood screw	Pack of 8			\$9.00

Levers and Knobs

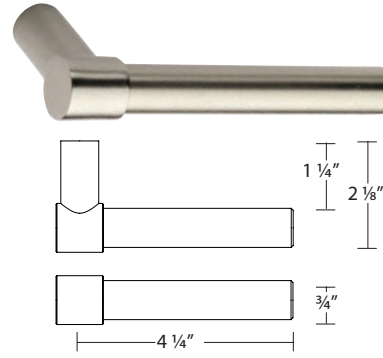


LEVER OPTIONS

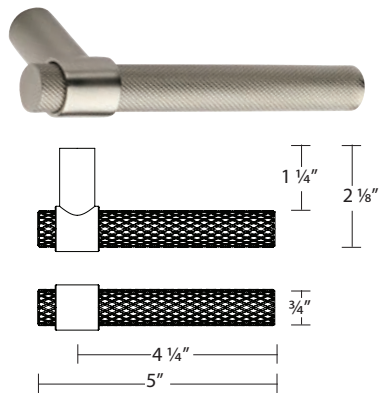
Knurled Phoenix (2385) lever



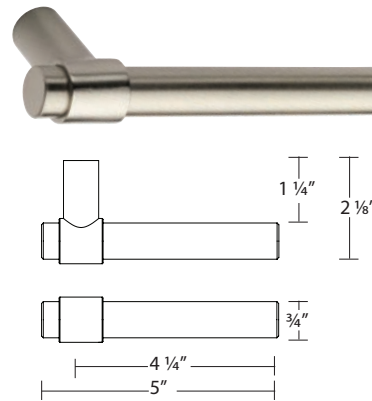
Phoenix (2380) lever



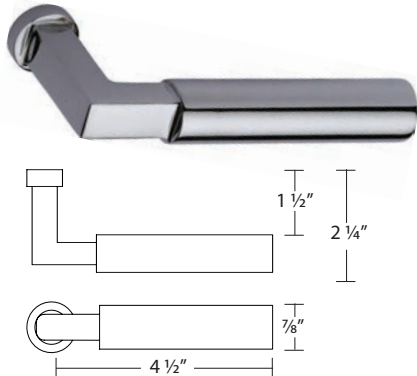
Knurled Fountain (2395) lever



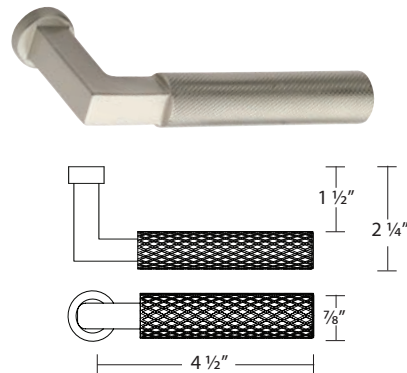
Fountain (2390) lever



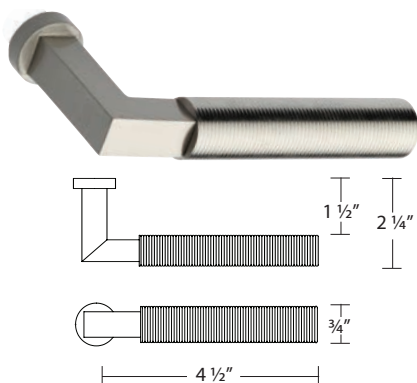
Bauhaus (1250) lever



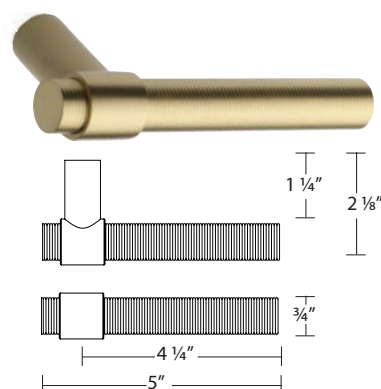
Knurled Bauhaus (1255) lever



Reeded Bauhaus (1258) lever

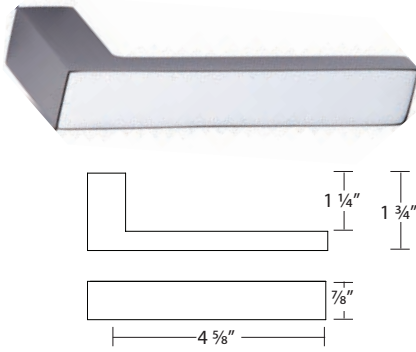


Reeded Fountain (2398) lever

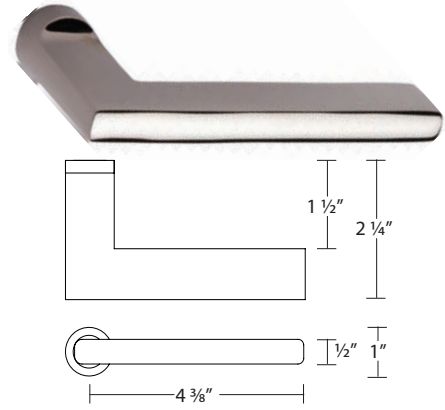


LEVER OPTIONS

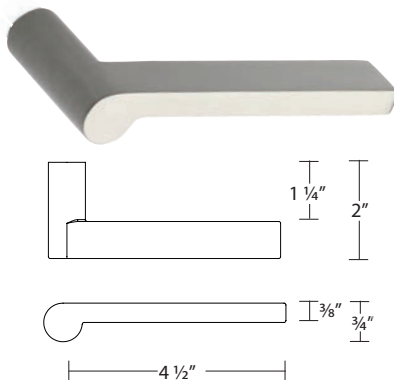
Meridian (3100) lever



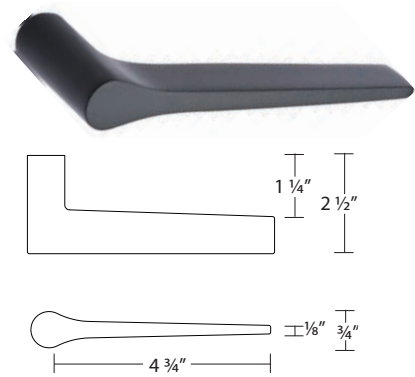
Apollo (4500) lever



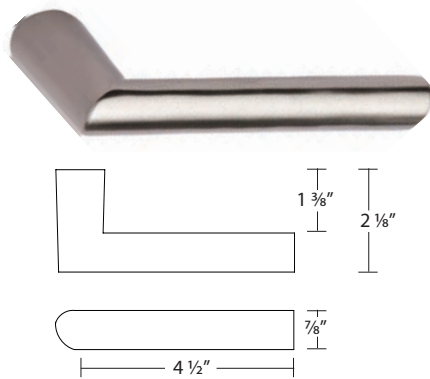
Lugano (6225) lever



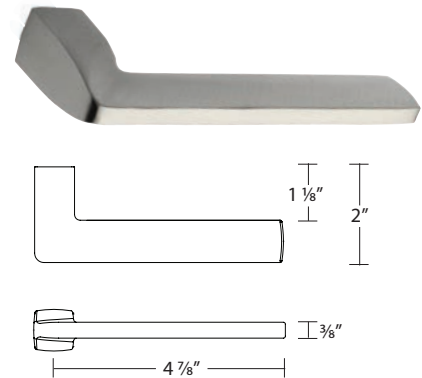
Claros (1970) lever



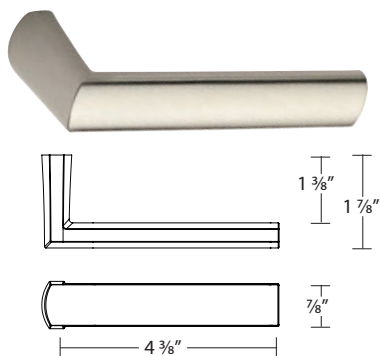
Atlas (3750) lever



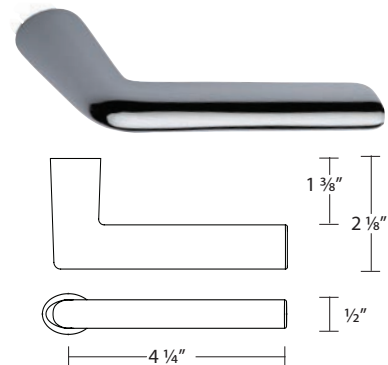
Indigo (3790) lever



Milan (6420) lever

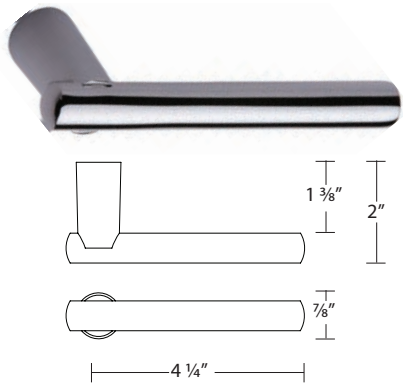


Lena (2352) lever

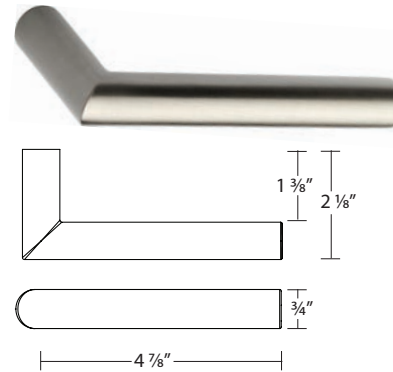


LEVER OPTIONS

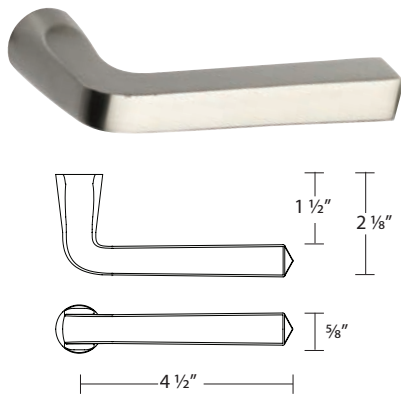
Challenger (6000) lever



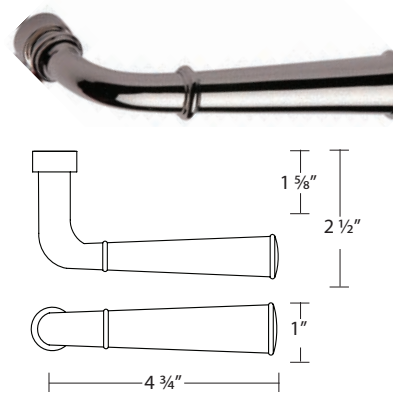
Alexis (3890) lever



Alessa (8300) lever



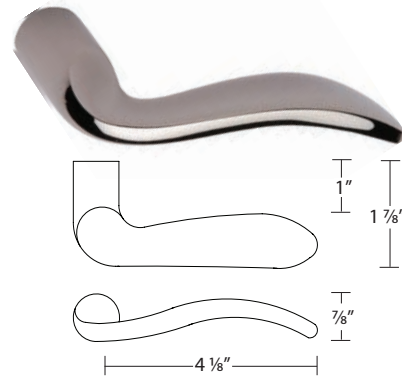
Colonial (4900) lever



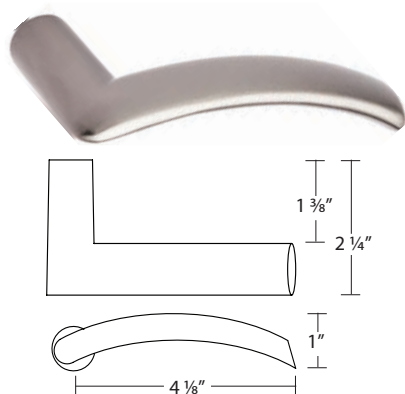
Hampton (4000) lever



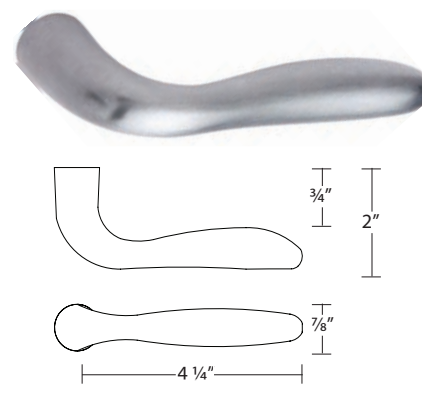
Everest (7100) lever



Centaur (3490) lever

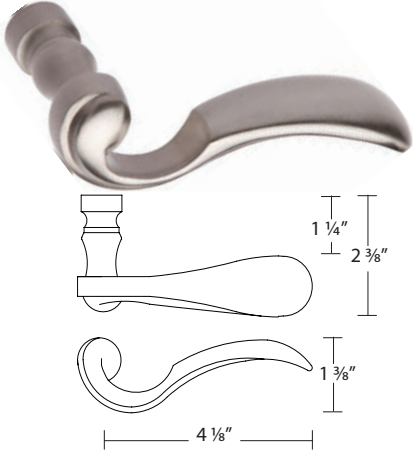


Geo (1460) lever

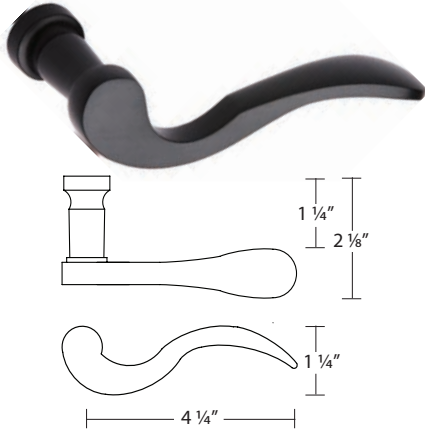


LEVER OPTIONS

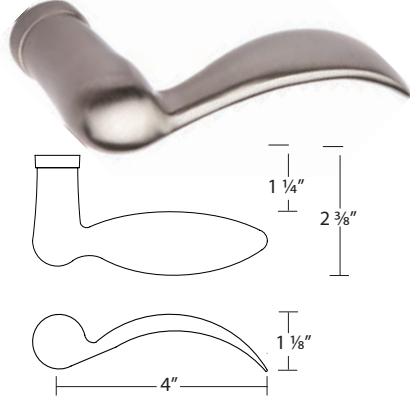
Chesterfield (1700) lever



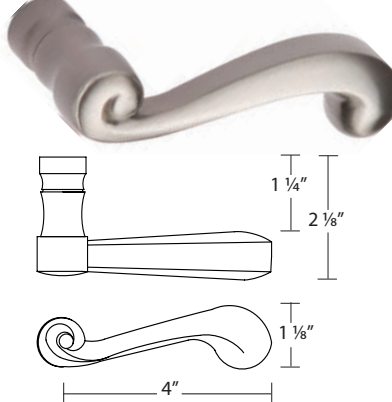
Chester (2000) lever



Churchill (5000) lever

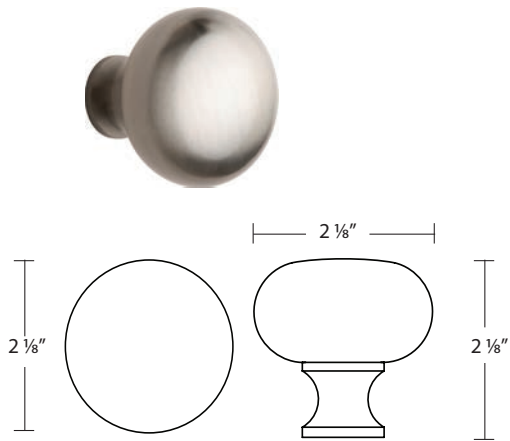


Chiltern (1600) lever

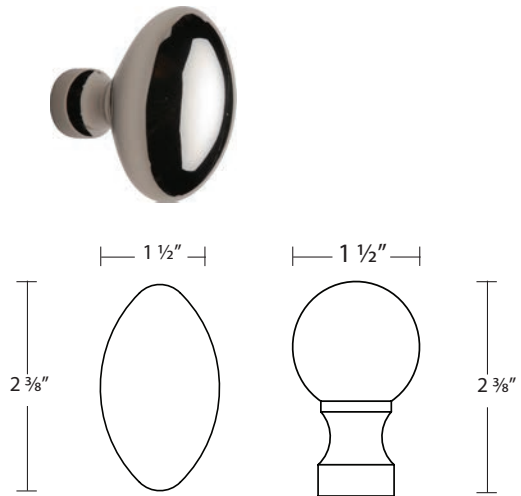


KNOB OPTIONS

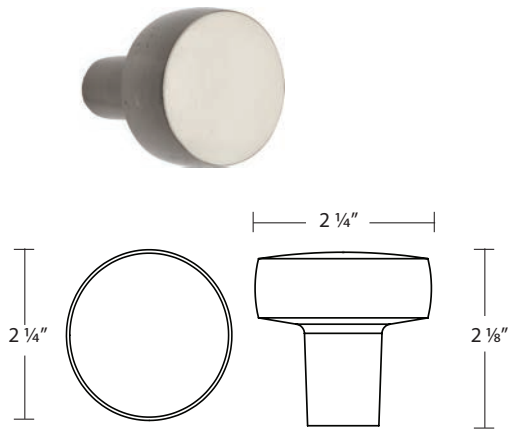
Windsor (9000) knob



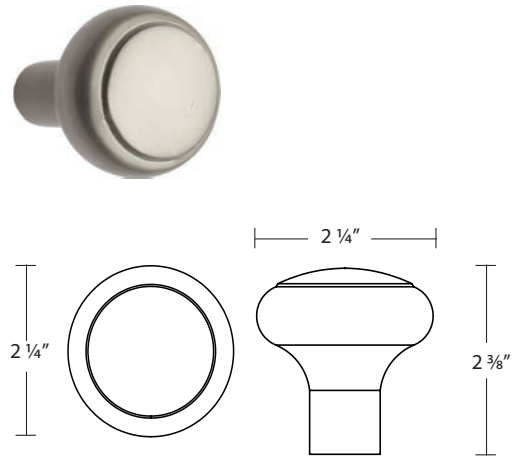
Carlisle (6600) knob



Helios (8800) knob



Newport (9900) knob



Richmond (9880) knob



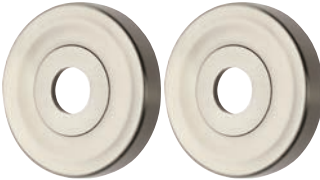
ROSE AND PLATE SPECIFICATIONS



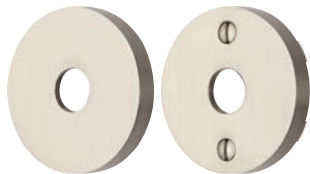
RE Rose
2 1/2" x 2 1/2"



AN Rose
2 3/8" Dia.



TA Rose
2 3/8" Dia.



BA Rose
2 1/2" Dia.



BC Rose
2 1/2" x 2 1/2"



BT Rose
2 1/2" Dia.



BR Rose
2 1/2" Dia.



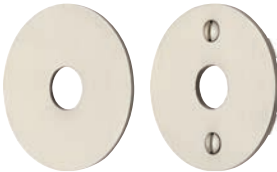
BG Rose
2 1/2" x 2 1/2"



BL Rose
2 1/2" x 2 1/2"



FS Rose
2 1/2" x 2 1/2"



FR Rose
2 1/2" Dia.



UB Plate
3 3/8" x 2 1/2"



SQ Plate
5" x 2 1/2"



SR Plate
7" x 2 1/2"



SE Plate
11" x 2 1/2"

3 3/8"

RETURNS POLICY

Returned goods will not be accepted without prior written authorization. Minimum net amount for return of hardware is \$25.00 except in case of Ashley Norton error.

All requests for RGAs must be made in writing within 60 days of original invoice date. RGA numbers are valid for 30 days from date of issuance and will not be re-issued. A minimum 30% restock charge plus freight will apply to current SATIN NICKEL (4), DARK OIL RUBBED (8) or POLISHED CHROME (9) items returned in original condition and packaging and having a factory issued RGA number. **Items sold in other finishes, including split finishes are not returnable.** If a factory defect is claimed, an RGA will be issued for inspection purposes only. Any credit due will be determined upon inspection; approved returns will be credited. All returns must be shipped freight pre-paid. COD returns will be refused.

ITEMS SOLD IN FINISHES OTHER THAN SATIN NICKEL (4), DARK OIL RUBBED (8) OR POLISHED CHROME (9) ARE NON-RETURNABLE. CUSTOM ITEMS AND SETS PRODUCED IN SPLIT FINISHES ARE NOT RETURNABLE. Special order or discontinued items will not be accepted for return except in case of manufacturing error.

Terms

Net 30 (subject to credit check and account approval). A monthly finance charge, computed at a periodic rate of 18% will be added to all past due accounts. The amount of credit we extend to a customer is subject to change or limitation at any time, either before or after delivery of any part thereof, of an order. Payment in advance may be required prior to delivery. If a customer's account is in arrears, we shall have the right, in addition to all other legal remedies and without prejudice to any other of our rights, to defer further shipments until payment is received. We reserve the right to ship on a C.O.D. basis when considered necessary. All goods supplied remain the property of Ashley Norton Inc. until paid in full; provided, however, that risk of loss for such items shall be borne entirely by the Buyer upon delivery of such goods by Ashley Norton Inc. (F.O.B. Pompton Plains, NJ) as detailed below. All accounts that are deemed consistently problematic in the sole discretion of Ashley Norton Inc. including but not limited to untimely payments, excessive ordering errors or excessive returns are subject to closure at Ashley Norton Inc.'s discretion.

Prices

All prices are subject to change without prior notice. All orders accepted will be priced according to the prevailing price at time of shipment. Orders delayed due to "on hold" account status will be charged at the price effective on date of shipment. All prices are exclusive of all local, state and federal taxes. Wherever applicable, such taxes will be added to the invoice as a separate charge to be paid by the Buyer.

Freight

All sales are F.O.B. Pompton Plains, New Jersey and will be shipped direct to our distributors. All orders will be shipped prepaid and freight charges added to the invoice. Ashley Norton does not quote freight. Ashley Norton Inc. will ship all orders via a carrier chosen by Ashley Norton Inc. Upon delivery to the transportation company, the Buyer assumes full risk for loss or damage in transit and shall indemnify and hold Ashley Norton Inc. harmless from any claims for loss of or damage to goods following delivery by Ashley Norton Inc. to the carrier. Claims for loss or damaged shipments must be made promptly by the customer against the carrier.

Claims

Any claims for shortages must be made in writing within 14 days from date of invoice. Any claims for defective merchandise or billing errors must be made in writing within 30 days from date of invoice. No claim will be allowed for work or modifications done by others, for incidental or consequential damages, or for other expenditures. The liability of Ashley Norton Inc., is limited to its obligation to repair or replace defective goods as set forth in our warranty.

Minimum Order

Ashley Norton Inc. has established no minimum order and reserves the right to refuse any order in whole or in part.

Specifications

Sizes and designs may be changed without notification. Ashley Norton Inc reserves the right to discontinue products without prior notice.

Order Cancellations & Changes

Ashley Norton Inc will attempt to comply with faxed or emailed order changes or cancellations, however, we cannot guarantee that they can be accomplished before shipment. Handling charges will apply if goods had been manufactured prior to processing a change or cancellation request. Orders for nonstock or special items cannot be cancelled or changed without consent from Ashley Norton Inc. Where items have not been manufactured, we will endeavor to action a cancellation or change request. However, where items have been manufactured any cancellation or change is subject to approval by Ashley Norton Inc. and will result in a handling charge of up to the full order value.

Disputes

All disputes relating in any way to these Terms and Conditions of Sale shall be resolved in an appropriate court located in the State of New Jersey, and such disputes shall be governed entirely by New Jersey law.

Ashley Norton

210 West Parkway Suite 1
Pompton Plains, NJ 07444
United States

Tel: (973) 835 4027
Toll Free: (800) 393 1097
Fax: (800) 393 1098

ashleynorton.com
info@ashleynorton.com

Printed in United Kingdom