

Exedra

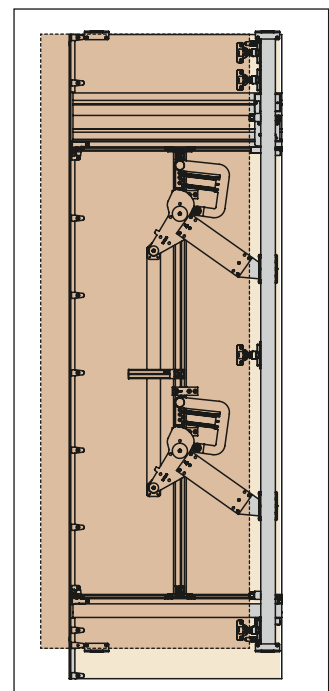
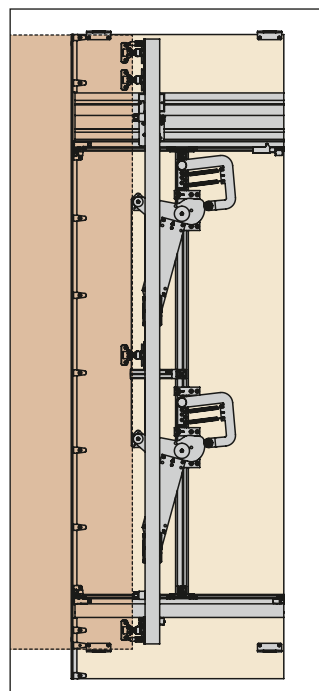
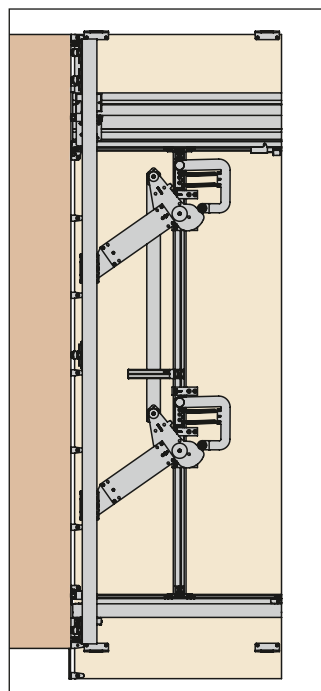
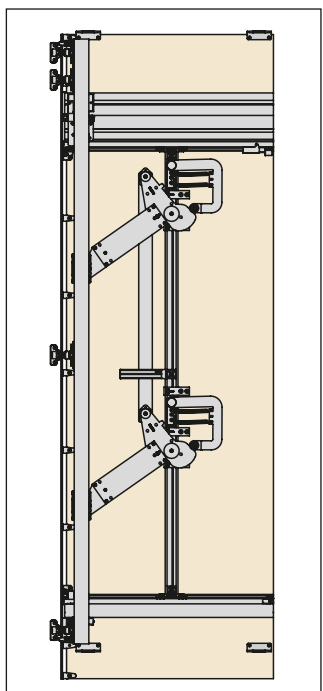




**** special application for door height between 1333 - 1549 mm with a maximum utilized cabinet depth (LPU) of 400 mm.**



Mechanism movement as the door leaves the recess.



Exedra allows smooth lateral assisted positive opening and cushioned soft-close movements, which are controlled by a safety device.

Exedra gives a smooth, fluent, uniform and noiseless movement, regardless of the speed of door insertion.

Product overview

Mechanism elements

- Aluminum profiles: 6060T5 alloy, silver anodized
- Components made of plastic, steel and zinc alloy

Tech features:

- Maximum weight for each door : up to 66 lbs (30 Kg) (with 5 of hinges allowed).
- Thickness:
 - minimum 19 mm (3/4")
 - maximum 30 mm (1 - 3/16")
- Width:
 - minimum 400 mm (15 - 3/4")
 - maximum 900 mm (35 - 7/16")
- Height:**
 - minimum 1333 mm (51 - 1/16")
 - minimum 1359 mm (53 - 1/2") with roller kit
 - maximum 2500 mm (98 - 7/16")
- Door vertical adjustment + 4 / -1 mm
- Door horizontal adjustment ± 2 mm
- Door front adjustment ± 4 mm
- Assisted door extraction movement
- Soft closing buffer with a linear magnetic damper
- Material:
 - a) wood or derivatives
 - b) metal and glass frame
- Standard projection of the door in open position: 107 mm (4 - 3/16") when allowed
- Recommended space below the door: 5 mm (3/16")

1 Cam-assisted door insertion and extraction movement.

2 Magnetic buffer for soft insertion.

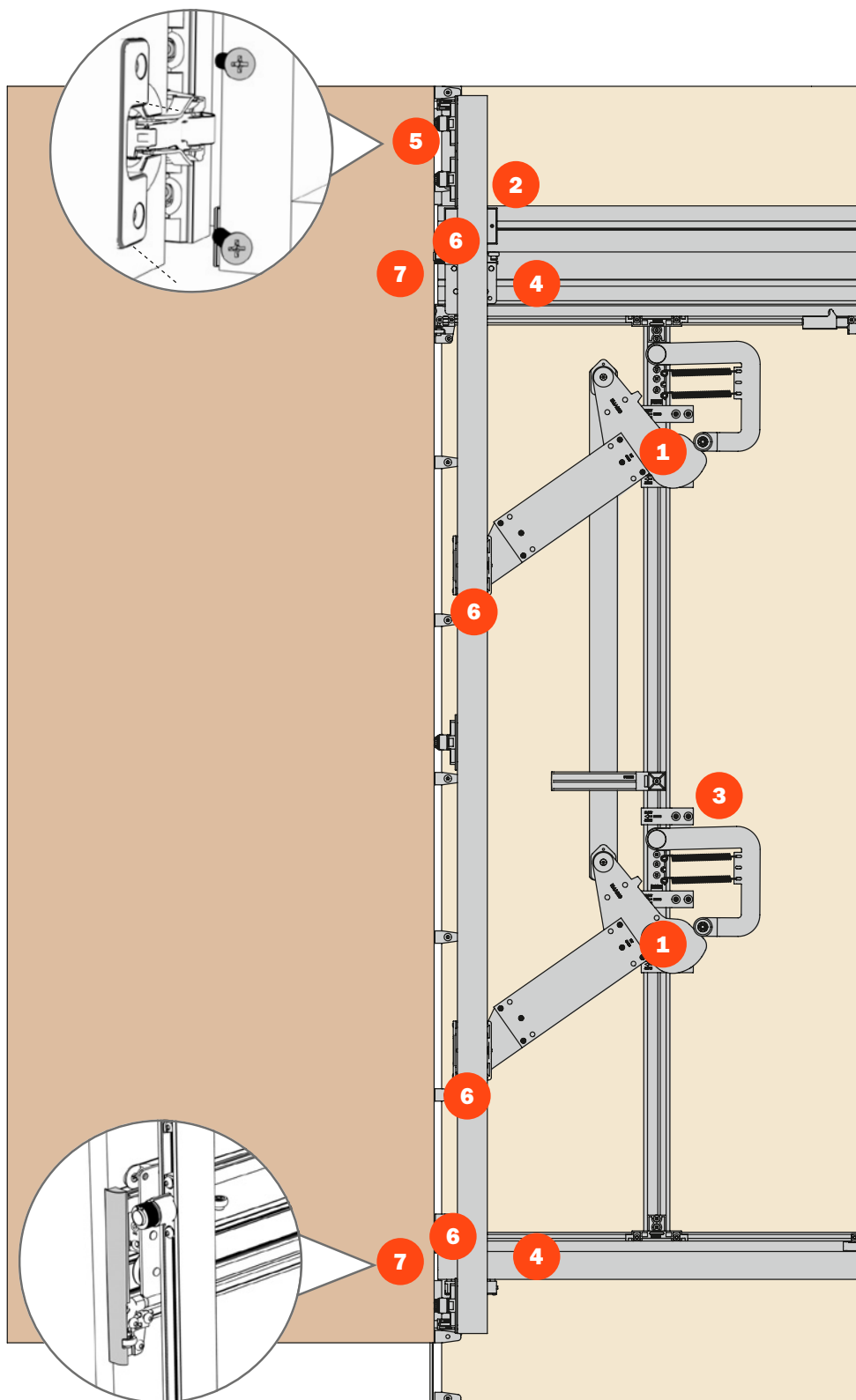
3 Slide-in installation to facilitate installation and removal of the mechanism from the front.

4 Sliding carriage.

5 Quick coupling hinges.

6 All adjustments are accessible from the front of the cabinet.

7 Profile cover caps (included in the standard versions).

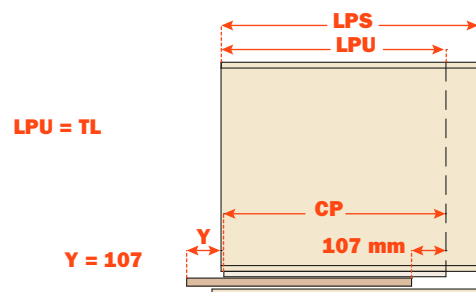
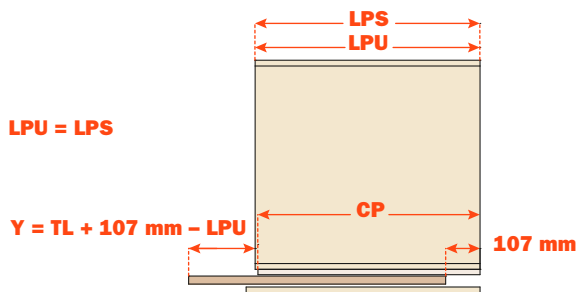
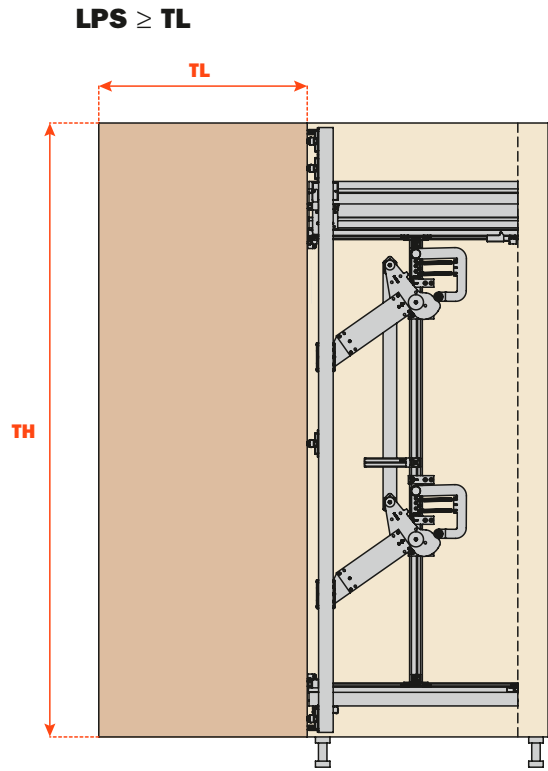
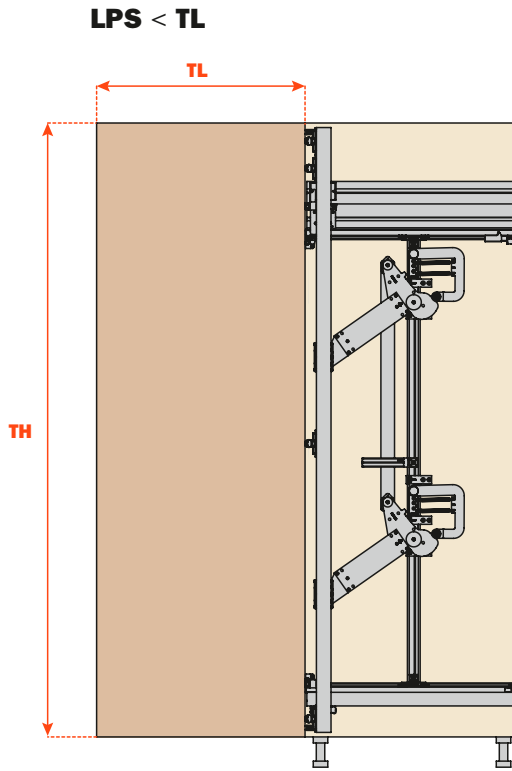


Exedra - Calculation for door protrusion from front of cabinet

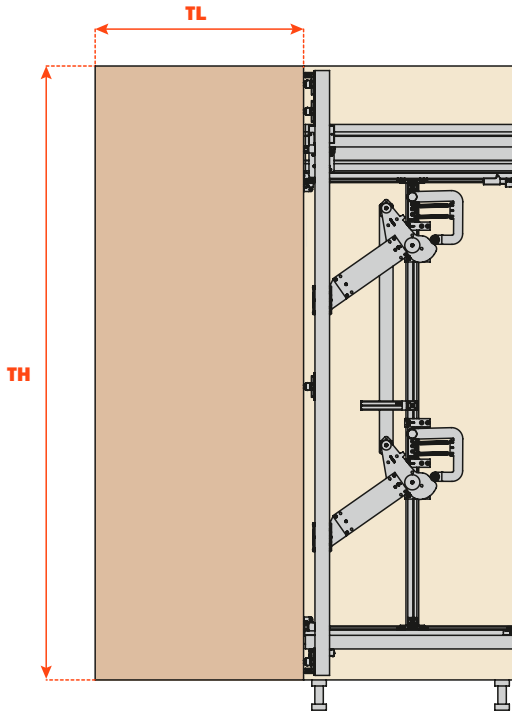
Abbreviations

LPS Total external depth of the cabinet
LPU Usable external depth of the cabinet
TL Door width

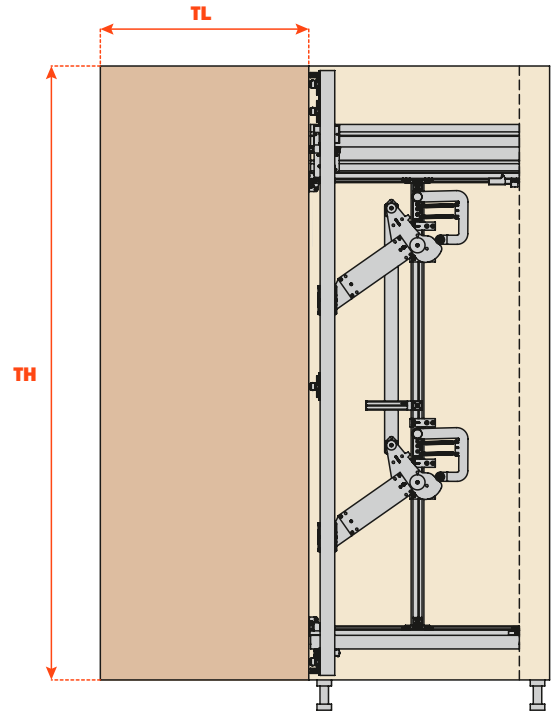
TH Door height
CP Profile length
Y Door protrusion (projection from cabinet edge)



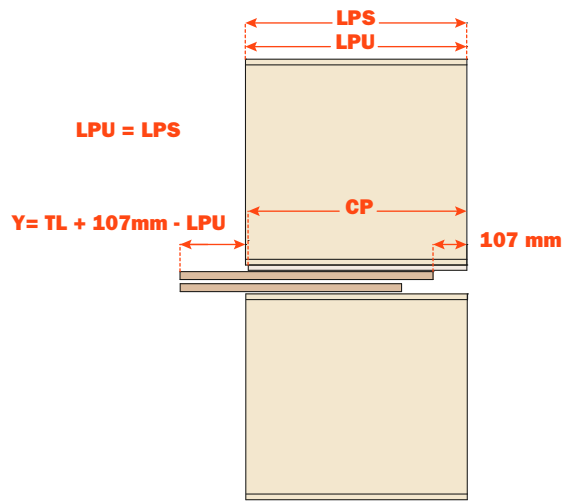
LPS < TL



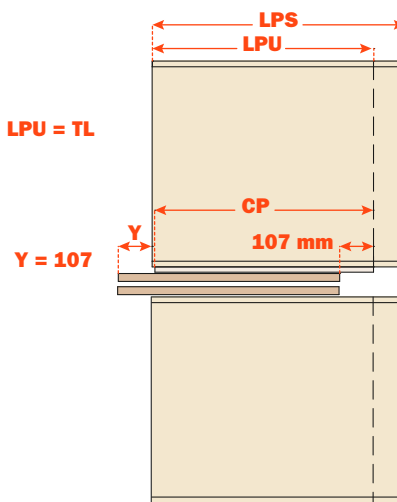
LPS ≥ TL



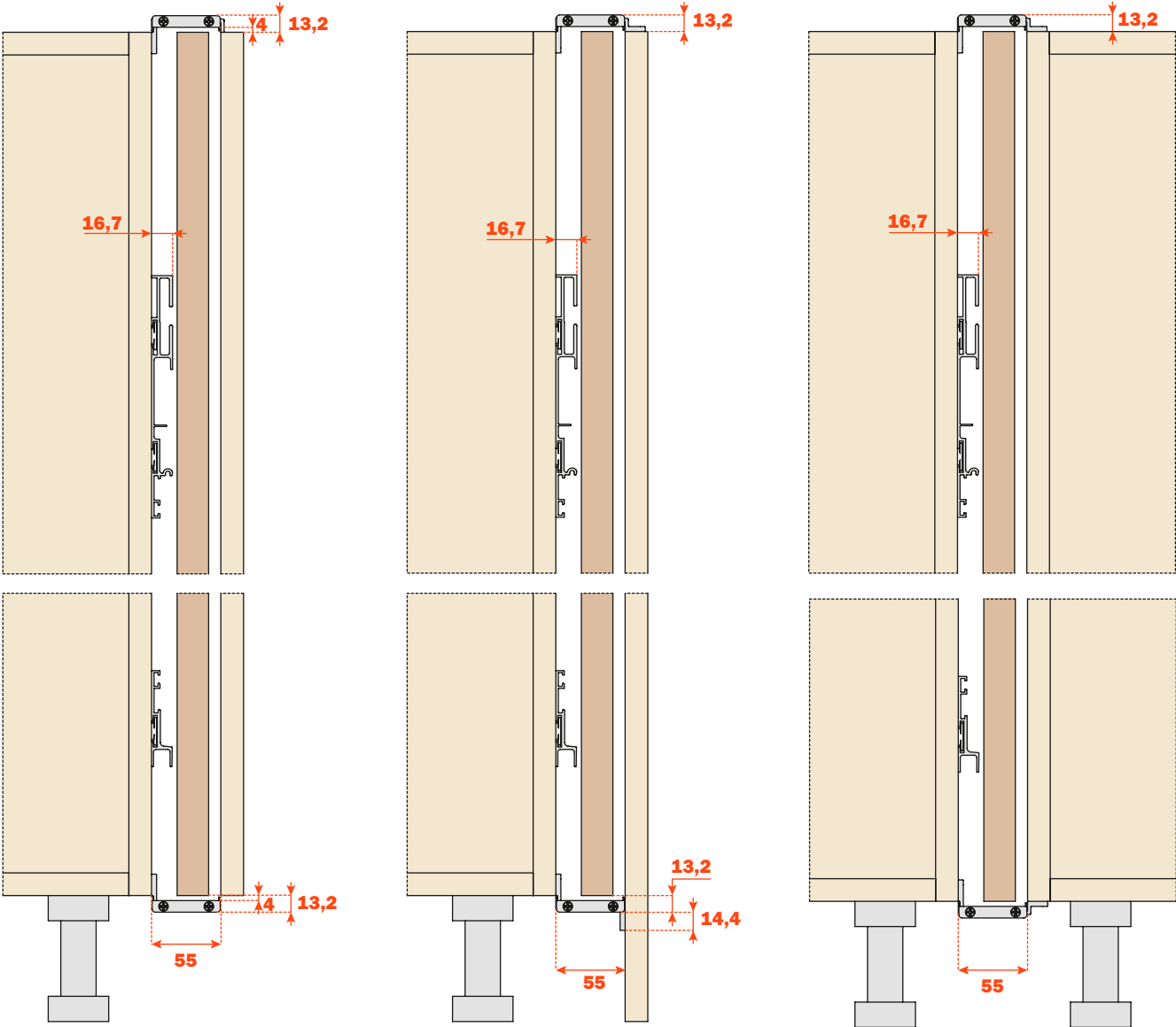
LPU = LPS



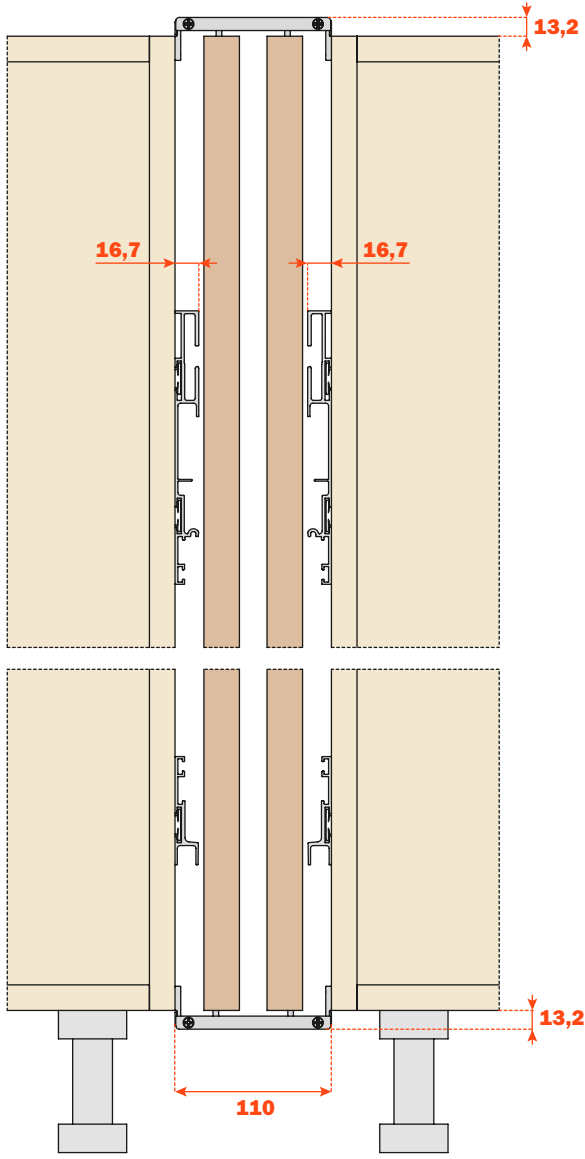
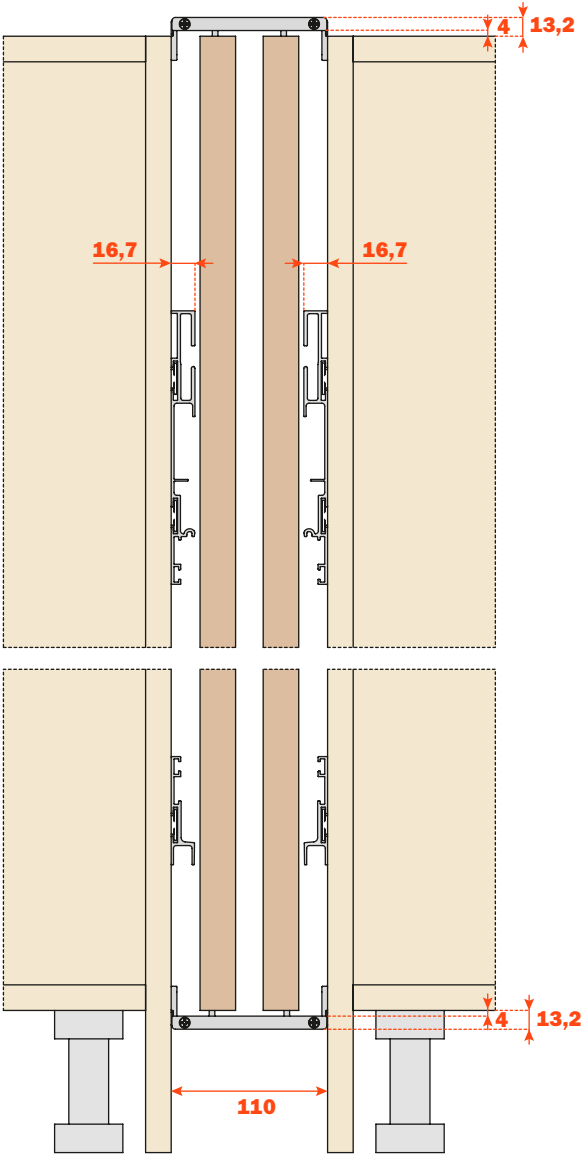
LPU = TL



Exedra - Types of assembly - 1 door



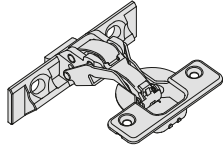
Types of assembly - 2 doors



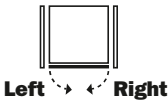
The mechanism is cut to size based to desired length and delivered partially assembled.

A cam-carriage connection (tab. 3) must be ordered together with the mechanism kit (tab. 2) according to the utilized depth of the cabinet structure (LPU) and the height of the door (TH). Refer to the installation manual for the assembly operations.


Calculation of the min. structure dimensions

Usable structure depth (LPU - mm)																
380 - 400		401 - 500		501 - 600		601 - 700		701 - 800		801 - 900						
Door height TH (mm)	Min	Max	Min	Max	Min	Max	Min	Max	Min	Max	Min	Max				
	1333	1545												2 x		max 12 kg
			1580	1726	1698	1787	1820	1909						3 x		max 18 kg
			1727	2121	1788	2182	1910	2243	2032	2304	2154	2365		4 x		max 24 kg
			2122	2500	2183	2500	2244	2500	2305	2500	2366	2500		5 x		max 30 kg

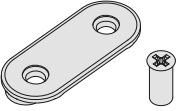
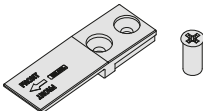
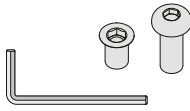
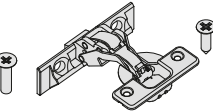
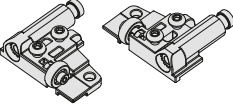
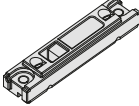
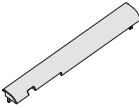

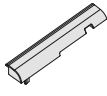
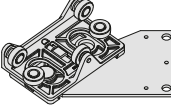
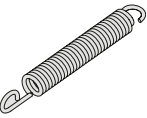
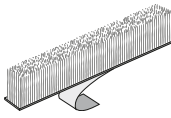
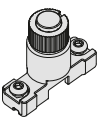
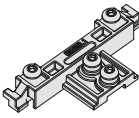
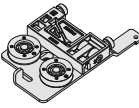
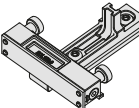
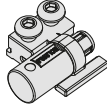
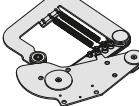
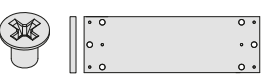
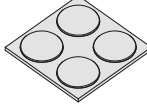
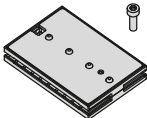



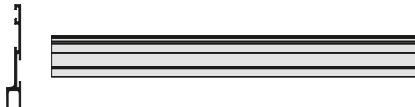
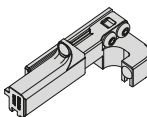

Mechanism kit – STANDARD

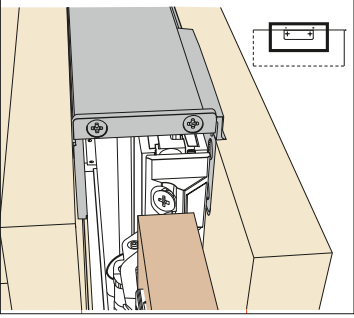
Part number		Door height TH (mm)
YE55BAD2500NN	Right	1333* - 2500 * TH min. with rollers 1359
YE55BAS2500NN	Left	

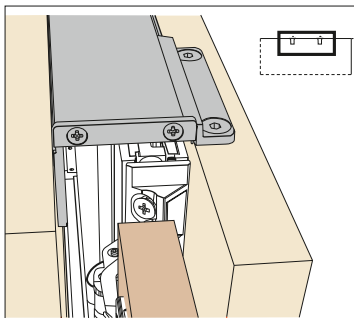
Cam-carriage connection

	Part number	Usable structure depth (LPU - mm)
	YE55KIT0100	370 - 400
	YE55KIT0101	400 - 500
	YE55KIT0102	501 - 600
	YE55KIT0103	601 - 700
	YE55KIT0104	701 - 800
	YE55KIT0105	801 - 900

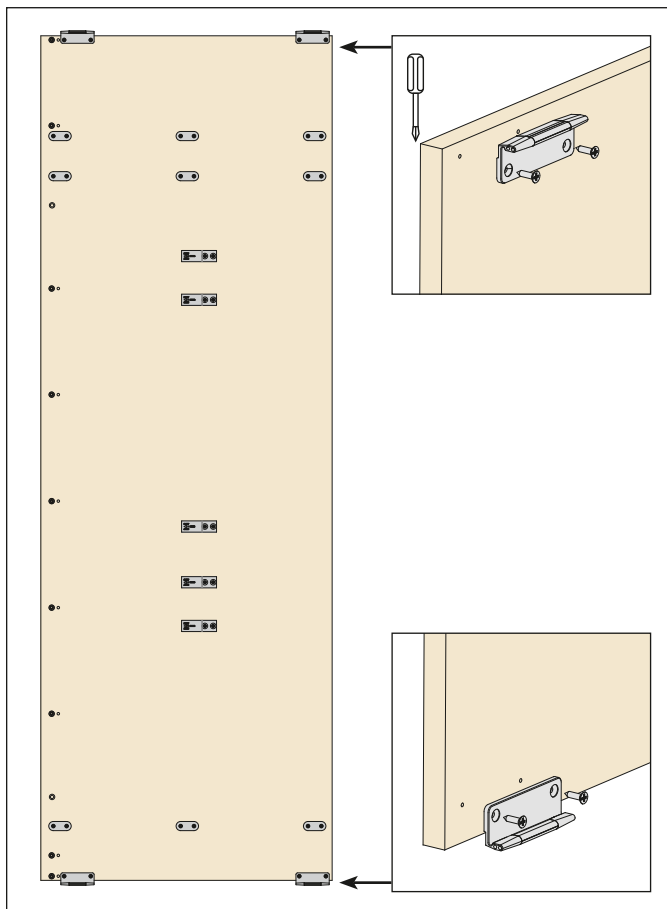
System components

	<p>n° 9 Locating clips n° 18 Euroscrews 6.3 x 14</p>		<p>n° 5 Positioning stops n° 10 Screws 6.3 x 14</p>
	<p>n° 2 Threaded inserts M6 x 13 n° 2 Screws M6 20 UNI 7380 n° 1 Allen key</p>		<p>n° 4/5 Hinges for the fixing of the door n° 4/5 Flange covers n° 8/10 Screws for the fixing of the hinges to the system M5 x 20 UNI 7688 n° 8/10 Screws for the fixing of the hinges to the door 4 x 16 DIN 7505 A</p>
	<p>n° 1 + n° 1 Door extraction dampers</p>		<p>n° 4/5 Mounting plates</p>
	<p>n° 1 Upper front cover</p>		<p>n° 1 Mechanism connecting support profile</p>
	<p>n° 1 Lower front cover</p>		<p>n° 2 Vertical carriages</p>
	<p>n° 2 Spare springs</p>		<p>2.5 mt Dust protection brush</p>
	<p>n° 2 Door positioning supports</p>		<p>n° 2 Central profile connectors</p>
	<p>n° 1 Upper horizontal carriage</p>		<p>n° 1 Lower horizontal carriage</p>
	<p>n° 1 Door insertion stopper</p>		<p>n° 2 Door extraction and insertion mechanisms</p>
	<p>n° 12 fixing screws for connection plates (screws M4 x UNI) n° 2 Cam connection plates</p>		<p>n° 1 Spacers</p>
	<p>n° 1 Magnetic buffer for soft insertion</p>		<p>n° 1 Central profile</p>
	<p>n° 1 Upper track</p>		<p>n° 1 Mechanism profile connecting</p>
	<p>n° 1 Lower track</p>		<p>n° 1 Rear bumper</p>
	<p>n° 1 Door fixing profile</p>		

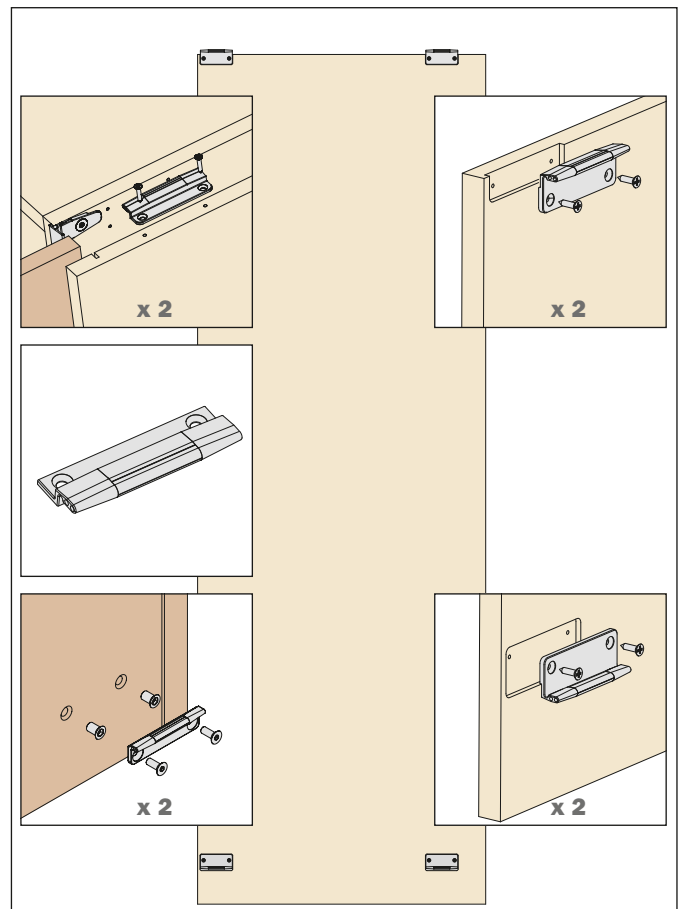
Version with milling	Part number	LPS (mm)
	YE55KIT0005	400 - 650
	YE55KIT0006	650 - 900

Version to be screw-fixed	Part number	LPS (mm)
	YE55KIT0001	400 - 650
	YE55KIT0002	650 - 900

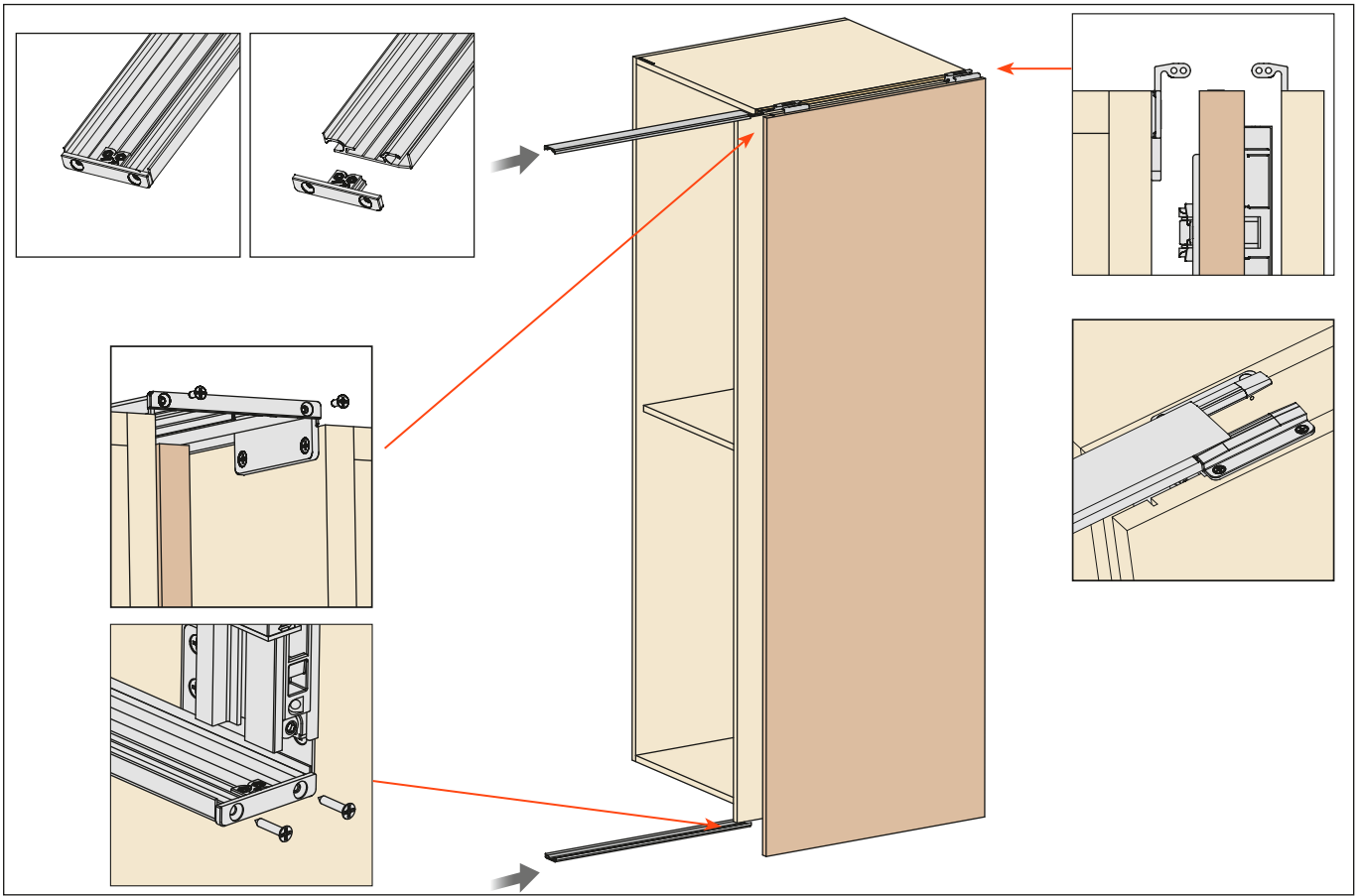
Side fixing. Plates to install the upper and the lower cover.



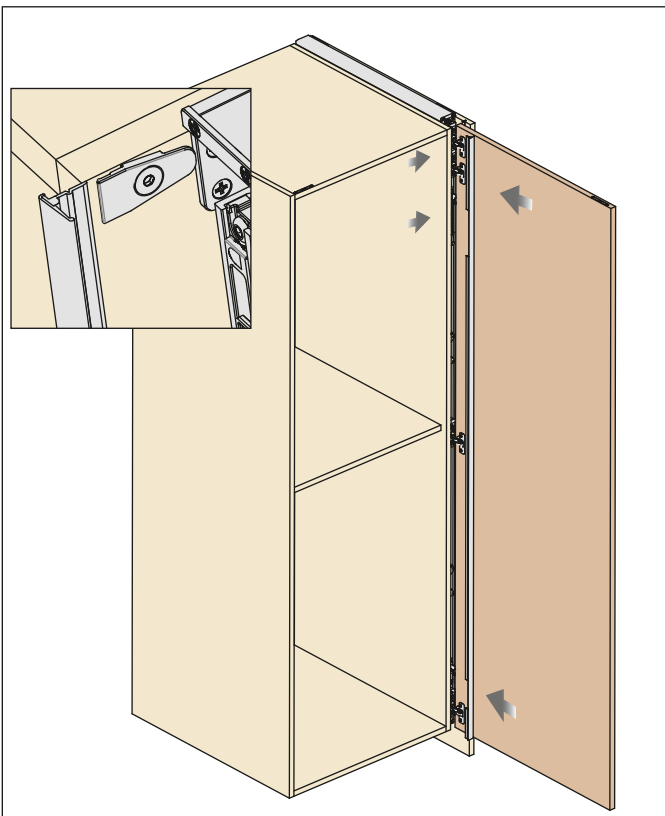
Top fixing. Plates to install the upper and the lower cover.



Cut the aluminum cover to length and slide it onto the clips.



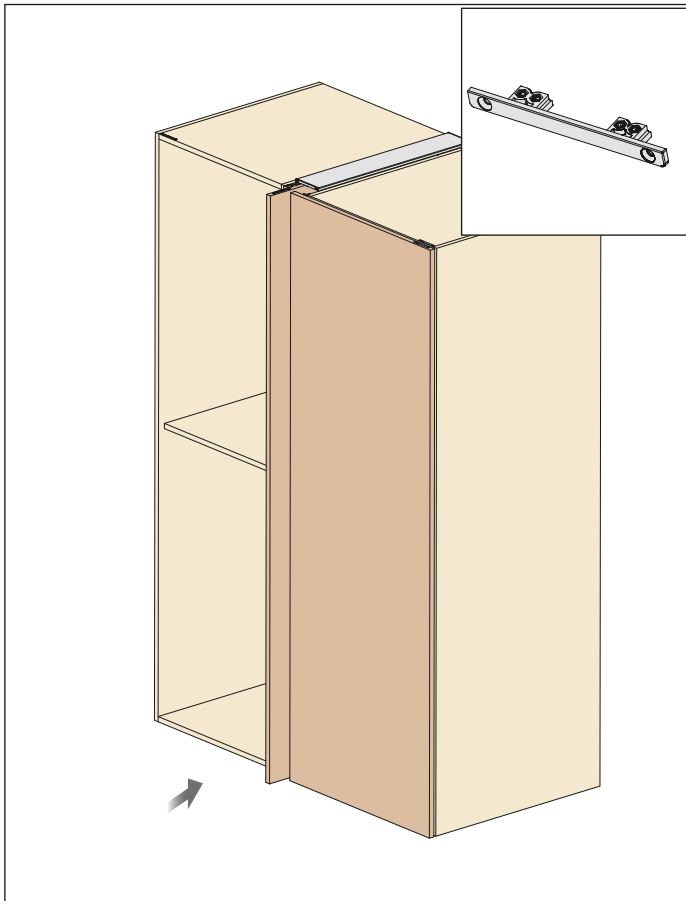
Cut the aluminum cover to length and slide it onto the clips.



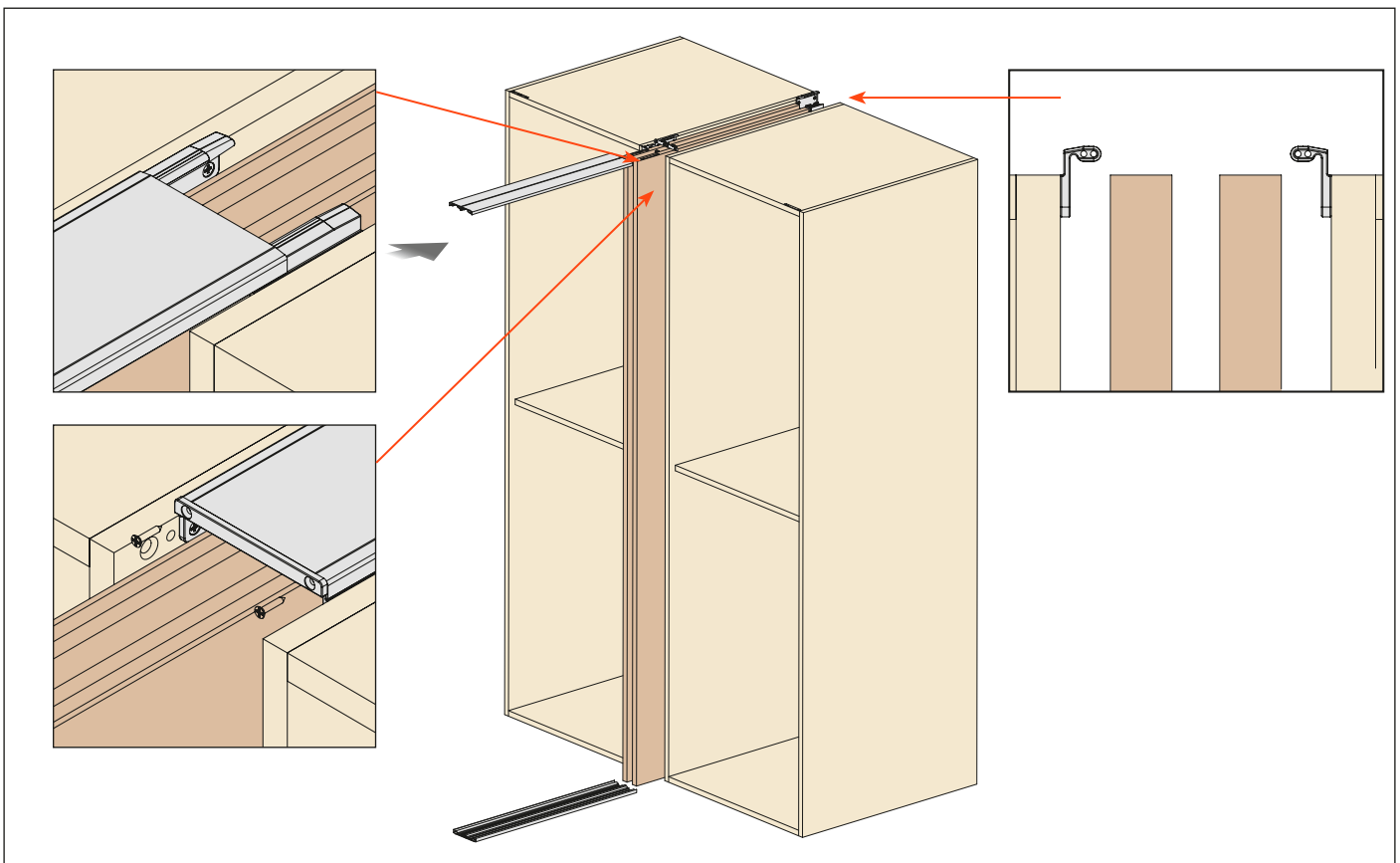
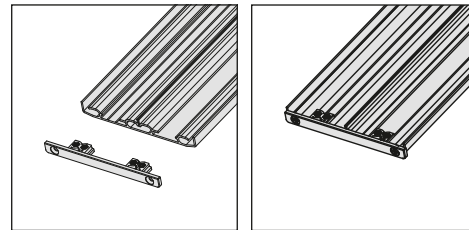
	Part number	L (m)	Colours
	YE55KIT0201	2.6	
	YE55KIT0202	2.6	
	YE55KIT0203	2.6	

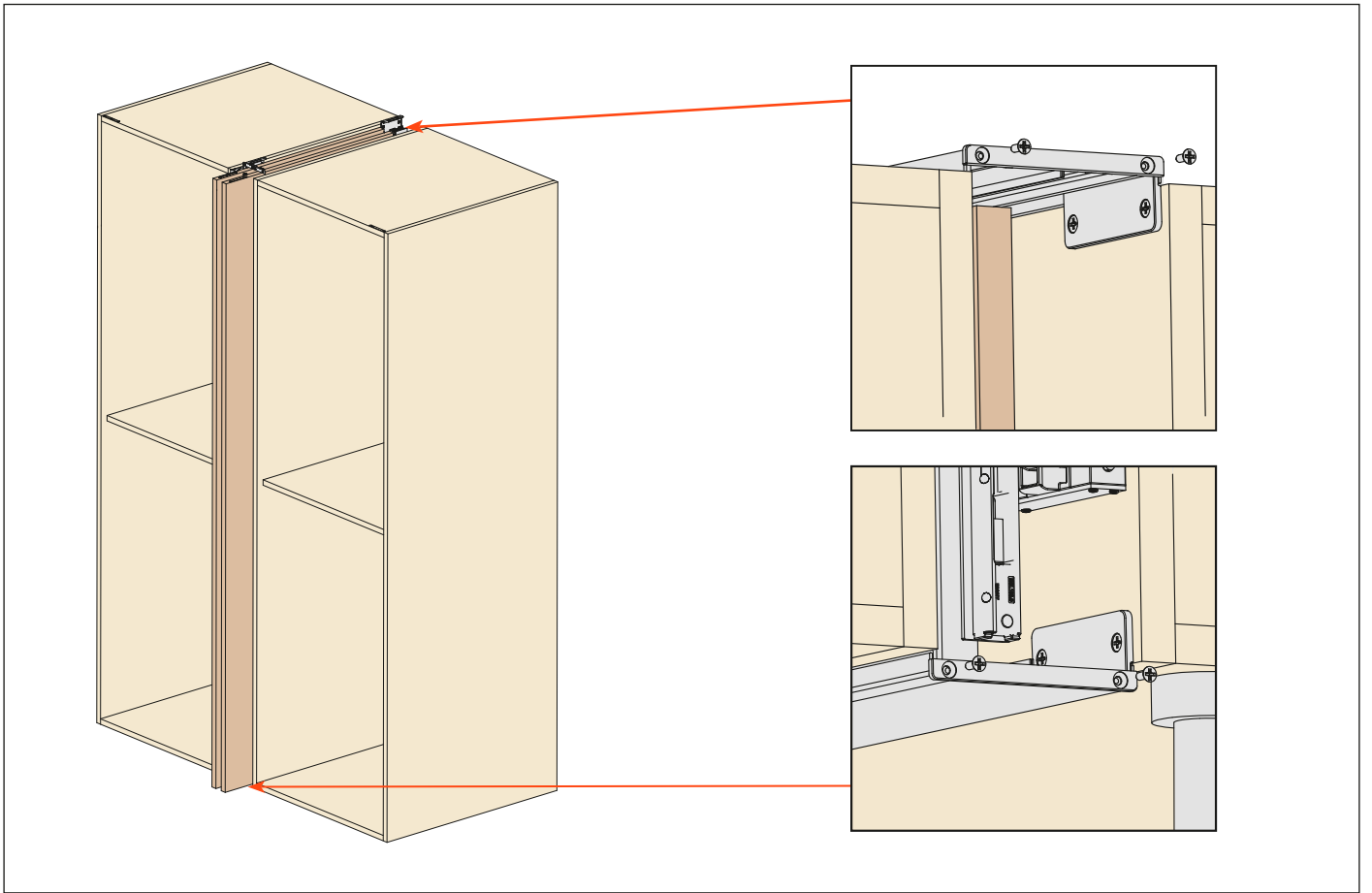
Exedra - Accessories - Connector kits for double-pocket applications for 2 doors

Screw-fix the supports to the cabinet side and insert the track for the doors in the front part of the profile. Cut to length and insert the profile.


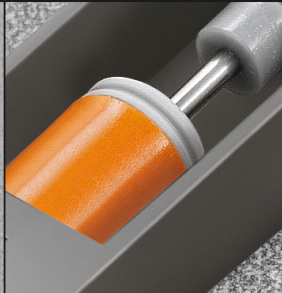



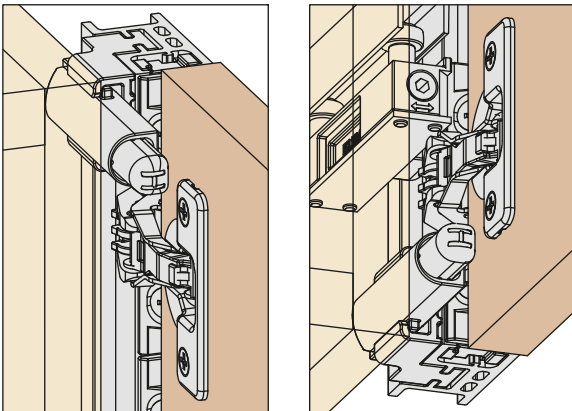
	Part number	LPS (mm)
	YE55KIT0003	400 - 650
	YE55KIT0004	650 - 900





Smove Damper to be screw-fixed to the profile.
The fixing system does not require any working.

		Part number	pcs.
		YE55KIT0050 • Kit with 2 Smove dampers for doors with 3 hinges	1
		YE55KIT0055 • Kit with 2 Smove dampers for doors with 4 and 5 hinges	1



Supplementary roller guide for aluminum-framed glass doors and 5 piece wood doors.

The fixing of this component requires additional working.
Please do not hesitate to consult our technical support department for assistance.

Part number	pcs.
YE55KIT0040	1

