

Order Form Details needed to order a mechanism

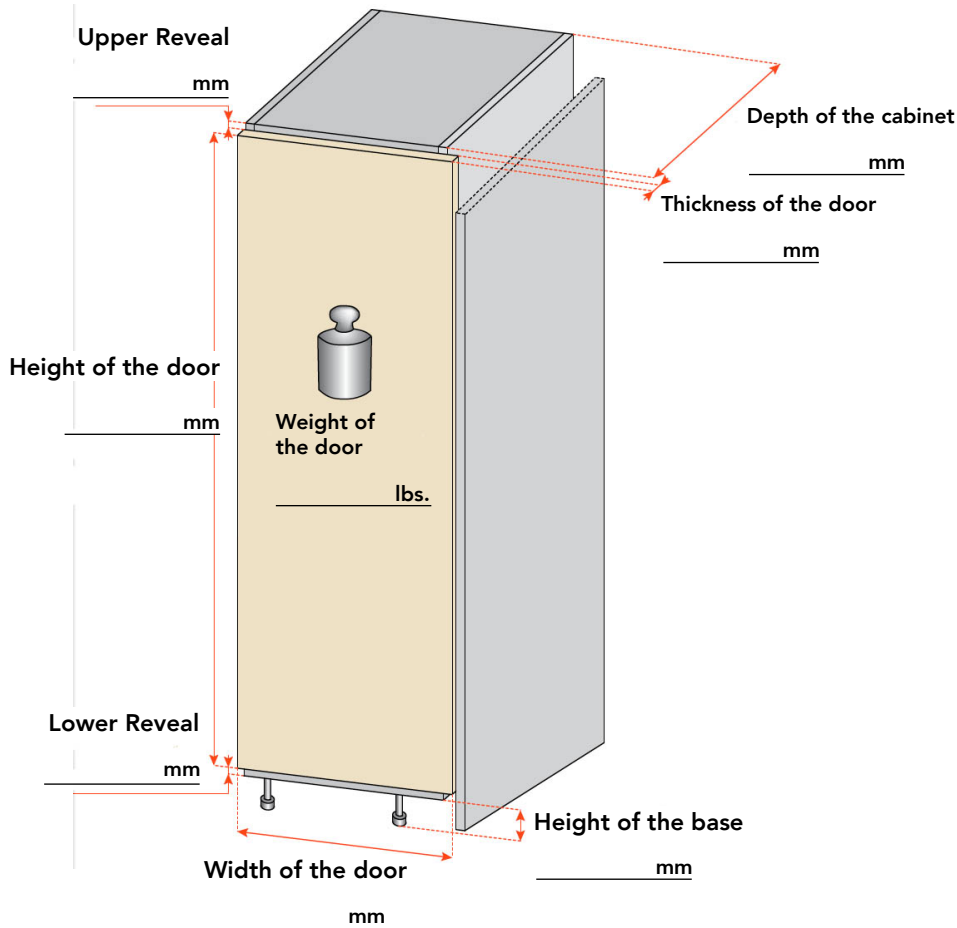


415-552-5500 • orders@macmurraypacific.com

Customer Name:	Today's Date:	
Customer #:	P.O. #:	
Address:	Contact Name:	Comments:
City, State, Zip:	Phone / Fax:	

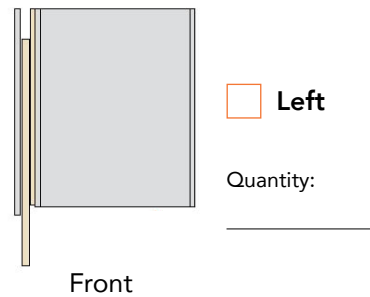
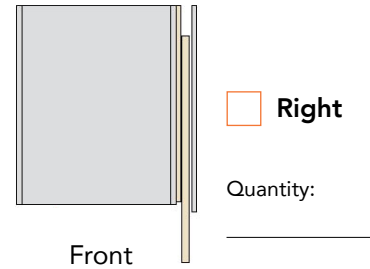
1. Cabinet Dimensions, Door Dimensions:

For the max. and min. dimensions, please refer to page 1 of bulletin.



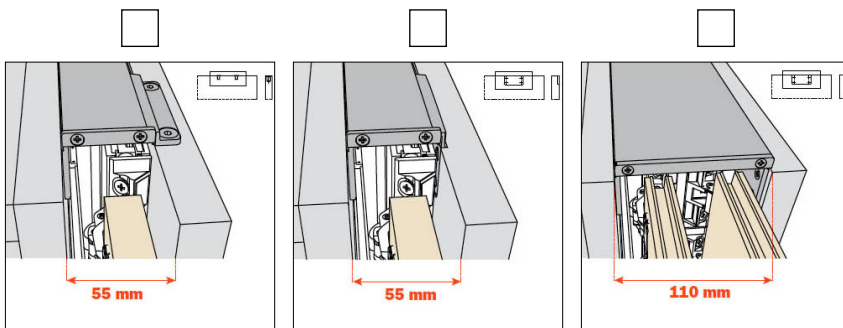
2. Handing of Pocket

(Side where door slides in and out)



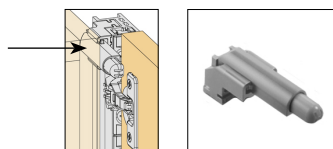
Options

3. Cover panel connector kit

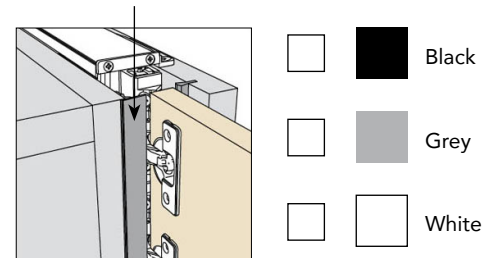


4. Soft-Close Kits on Hinges

Yes No



5. Front cover kit: Choose color



6. Roller kit for aluminum door or 5 piece wood door

