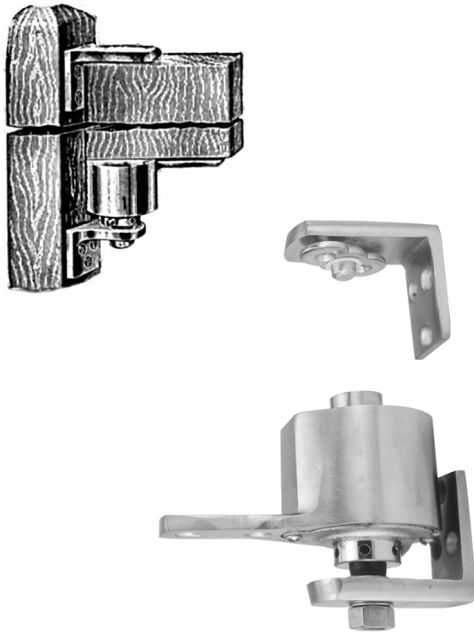




Sales Bulletin
April 2019



**McKINNEY BALL-BEARING
SPRING PIVOT HINGE**

Double action hinge, surface mounted or mortised.
For office gate or dwarf doors.

Adjustable spring tension. Spring is large enough for heavy duty conditions but the adjustable tension makes it equally suited for light gates. The 4007RB attachments are applied to the surface of the frame and the box is applied to the bottom surface of the gate. However, in the 4007MRB the box is mortised into the bottom of the gate.

Wood thickness: 1-1/8" to 2-1/2".
1 set per box with screws.

<u>Code</u>	<u>Description</u>	<u>List/st</u>
4007RB-26D	Spring Pivot Hinge, Dull Chrome finish	\$ 705.68
Mortised w/ fixed tension:		
4007MRB-26D	Spring Pivot Hinge, Dull Chrome finish, Mortised	705.68