

# SALICE WIND Lift System - Soft Close Kits

Sales Bulletin  
Update Aug 2019

A compact adjustable lift system that takes up a minimum of valuable storage space. The color coded springs makes inventory control and selection easy to understand. Installation on the door is as simple as boring a 35mm hinge cup hole.



Wind kit consists of a right and left mechanism, 2 door cups and a right and left mechanism housing. Wind cover kit (Gray with nickel cover cap), although available as a separate item, will get added to the order automatically. Other colors available special order. **Note: The weight of the door must also be considered when selecting a lift system. See charts on reverse for system selection by weight and door dimension.**

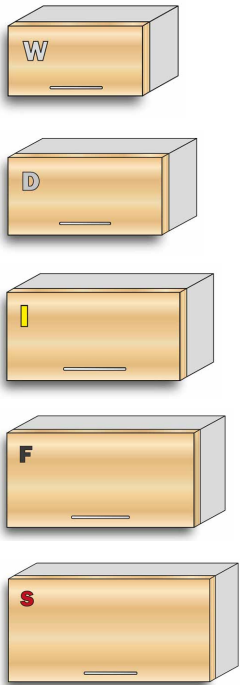
- Integrated Soft Close feature; see Push to Open sets next page
- Spring Force adjustment, Soft Close adjustment
- Opening angle of 86 or 94 degrees
- Min door thickness: 5/8" (16mm)
- Max door thickness: 1-1/8" (28mm)
- Top overlay possibility: from 5/8" to 3/4"
- Edge bore distance on the door: 3 to 7mm
- Supplied with an angle reduction clip installed, reducing the opening angle to 86°. May be removed to achieve 94° if the 'K' boring distance on the door is 5mm or less

**Wind Mechanism Dimensions:**  
1.5" W x 7.95" D x 2.25" H



- Mechanism Adjustment:  
Depth: -1.0mm, +3.0mm  
Side: +2.0mm, -2.0mm  
Height: +2.0mm, -2.0mm

**YouTube** See video on Salice Wind Lift System at [macmurraypacific.com/videos.html#salice](http://macmurraypacific.com/videos.html#salice)



Code	Door Height	Door Weight	Spring Color Code Combination	List/Set
WIND-W	Min: 8-5/8" Max: 15-3/4"	Min: 1.75 lbs. Max: 11.5 lbs.	(White Spring/ Free Swing)	\$ 76.52
WIND-D	Min: 8-5/8" Max: 24"	Min: 4 lbs. Max: 17 lbs.	(Yellow Spring/ Free Swing)	76.95
WIND-I	Min: 12-9/16" Max: 24"	Min: 10.5 lbs. Max: 21 lbs.	(Yellow Spring/ Yellow Spring)	121.41
WIND-F	Min: 12-9/16" Max: 24"	Min: 18.5 lbs. Max: 32 lbs.	(Black Spring/ Black Spring)	124.96
WIND-S	Min: 12-9/16" Max: 24"	Min: 26 lbs. Max: 41 lbs.	(Red Spring/ Red Spring)	127.17



WIND-COVER	Cover Cap Set, <b>Gray</b> finish, nickel plated LH/RH		\$ 6.16
WIND-COVER-SS	Cover Cap Set, <b>Stainless Steel</b> finish, nickel plated LH/RH		17.56
WIND-COVER-WH	Cover Cap Set, <b>White</b> finish, nickel plated LH/RH		12.50
WIND-COVER-BL	Cover Cap Set, <b>Black</b> finish, nickel plated LH/RH		12.50

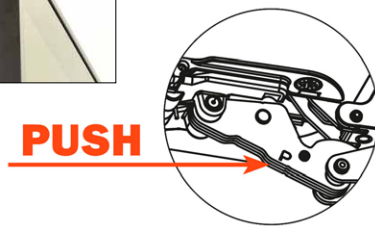
**SALICE** WIND Lift System - Push to Open Kits



Sales Bulletin  
October 2017



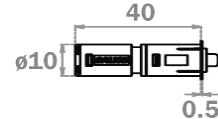
Wind lift mechanism without soft close device, but with a push to open feature using release devices and retaining catches.



**Magnetic Push Release Device**



DPMSNB  
Release Device



**Magnetic Push Release Device**

Release device to be used with DPMSNB for narrow cabinets (8-5/8" - 16")

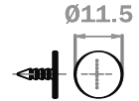


DPASNB  
Release Device

**DP39XXG Retaining Catch**  
Adjustable Magnetic Strike Plate

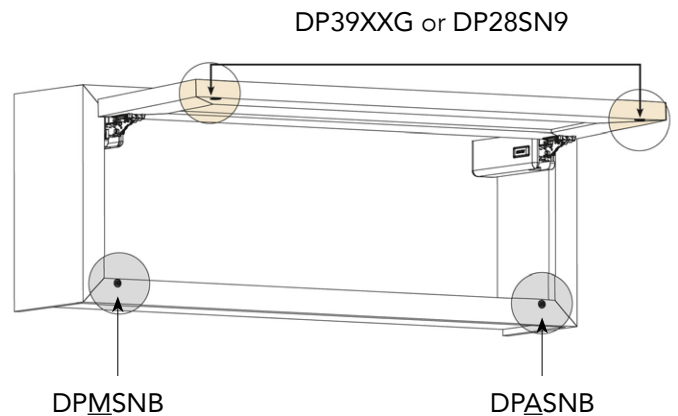
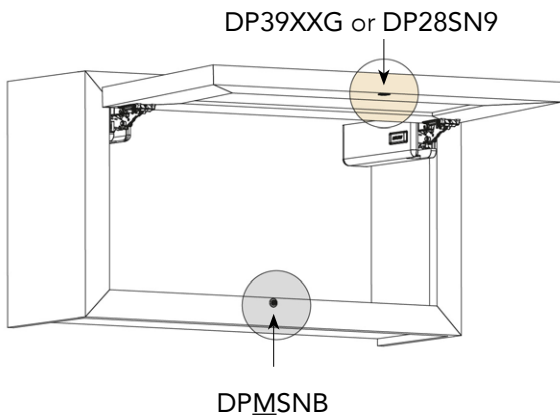


**DP28SN9 Retaining Catch**  
Mag plate w/ nail



**For Cabinets 16" - 24" (406mm - 610mm)**

**For Cabinets 8-5/8" - 16" (220mm - 406mm)**



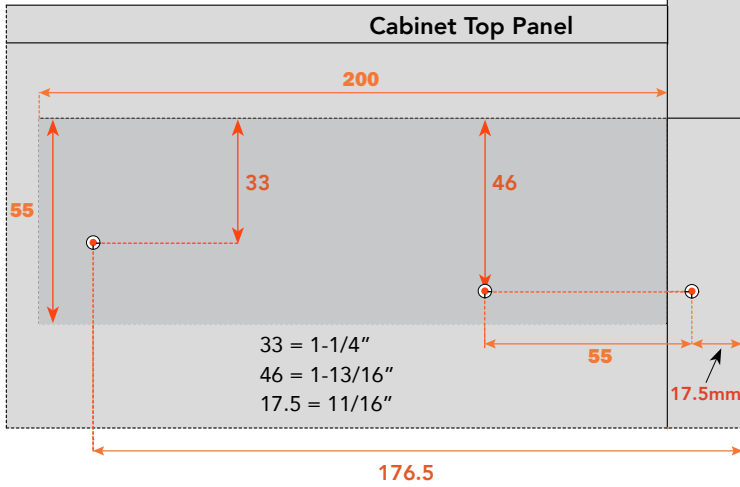
Code	Description	List/Set
WIND-WP ○ ○	Push - White/Free	\$ 87.94
WIND-DP ● ○	Push - Yellow/Free	88.39
WIND-IP ● ●	Push - Yellow/Yellow	138.21
WIND-FP ● ●	Push - Black/Black	142.29
WIND-SP ● ●	Push - Red/Red	144.80
WIND-COVER	L/R Cover Cap set	6.16

Code	Description	List/ea
DPMSNB	Beige Push Release Device	\$ 9.29
DPASNB	Beige Push Release Device for narrow cabinets	9.25
DP39XXG	Adj. Magnetic Strike Plate	7.84
DP28SN9	Magnetic Plate w/ nail	10.65/C

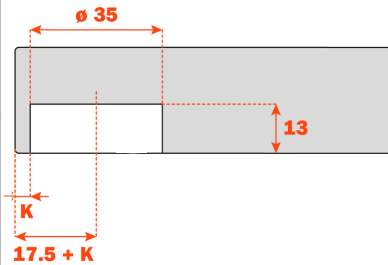
**SALICE** WIND Lift System

Face Frame: Overlay Door

Side View



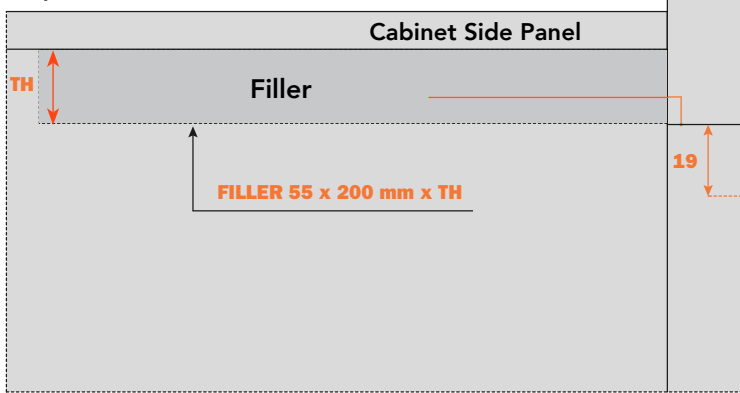
Mount the bracket up tight against top of opening. Distance back from face of cabinet to first hole is 17.5mm (11/16")



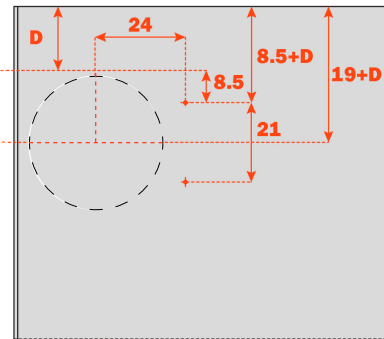
Bracket front edge is 3/8" in from front of opening. Front hole at 11/16"



Top (Overhead) View

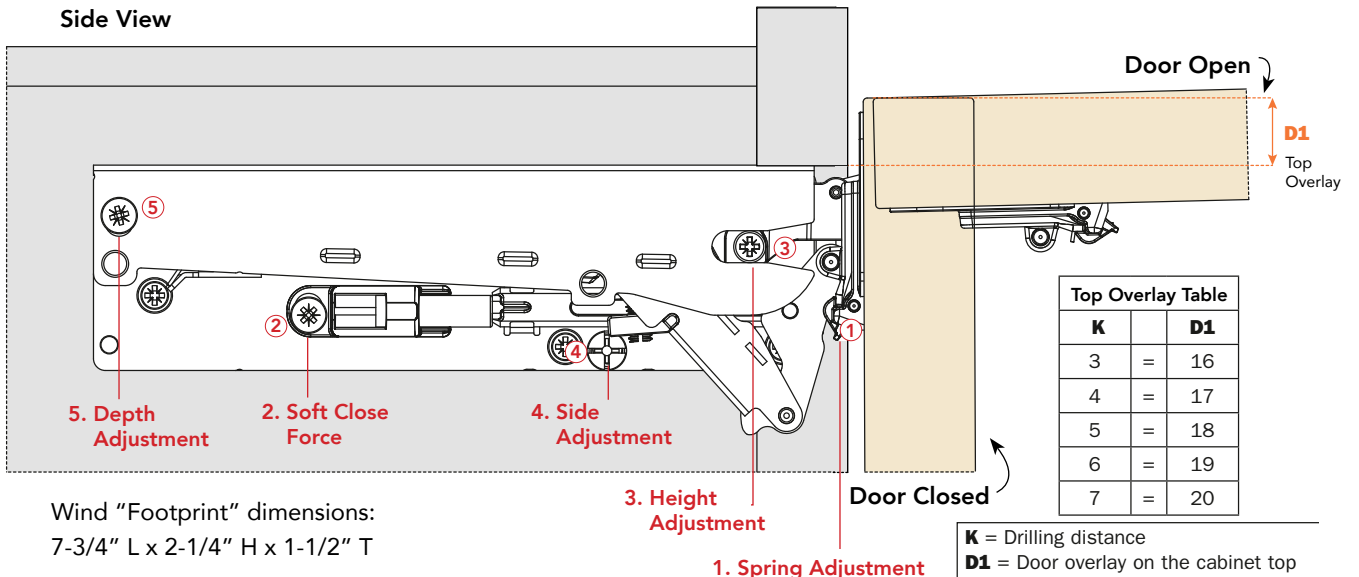


Door Side Overlay = D



Door Top View

Side View



Wind "Footprint" dimensions:  
7-3/4" L x 2-1/4" H x 1-1/2" T

Top Overlay Table		
K	=	D1
3	=	16
4	=	17
5	=	18
6	=	19
7	=	20

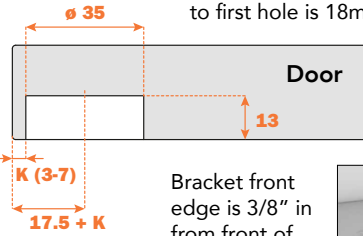
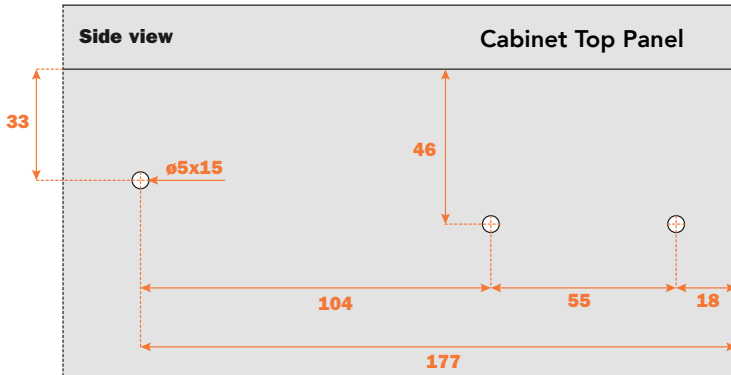
K = Drilling distance  
D1 = Door overlay on the cabinet top

For 1/2" top overlay, mount the bracket 3-4mm lower in cabinet

**SALICE** WIND Lift System

**Frameless: Overlay Drilling Pattern**

Mount the bracket up tight against top of opening. Distance back from face of cabinet to first hole is 18mm.

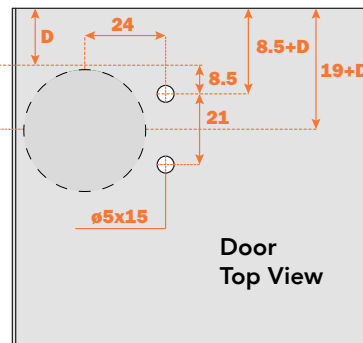


Bracket front edge is 3/8" in from front of opening. Front hole at 18mm.



18mm

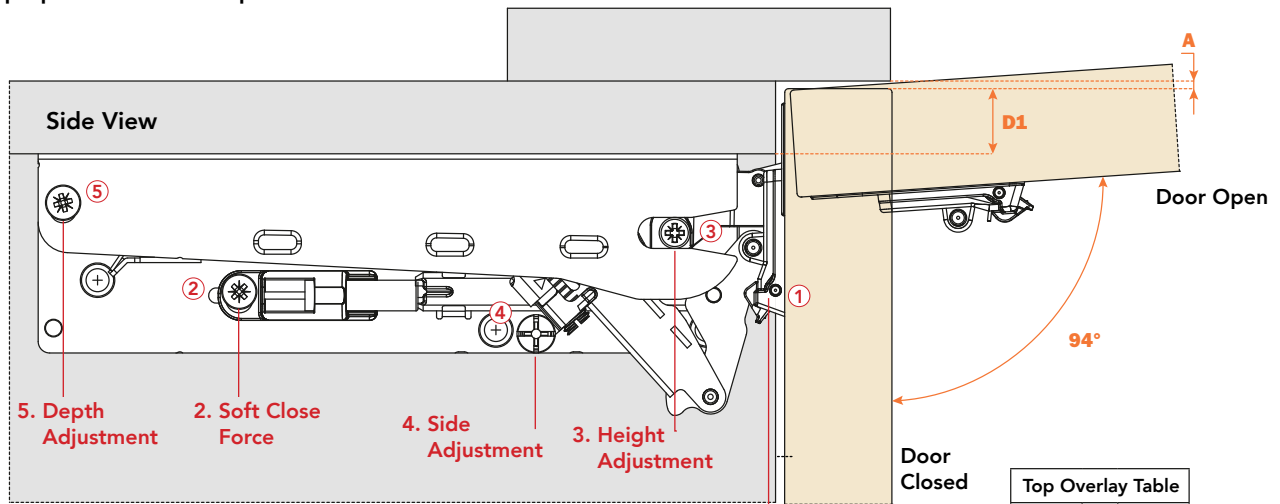
D = Overlay of Door on side panel



For the full brochure, including charts to determine the right wind for you, scan here:



**Top Space needed to open the door**



1. Spring Adjustment

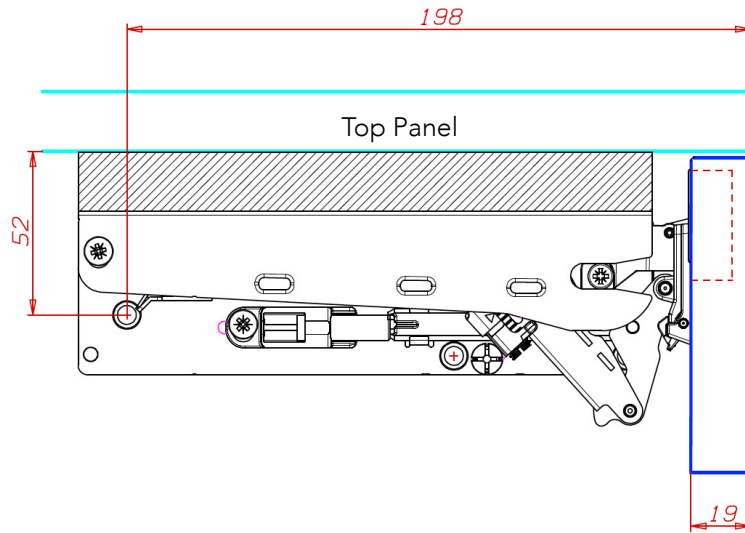
		MINIMUM REVEAL TABLE													
		T=	16	17	18	19	20	21	22	23	24	25	26	27	28
K=3	A=	0	0.1	0.1	0.2	0.2	0.3	0.5	0.6	0.7	0.9	1.1	1.8	2.7	
K=4	A=	0	0.1	0.1	0.2	0.2	0.3	0.4	0.6	0.7	0.9	1.1	1.3	2.1	
K=5	A=	0	0.1	0.1	0.2	0.2	0.3	0.4	0.6	0.7	0.9	1.1	1.3	1.5	
K=6	A=	0	0.1	0.1	0.2	0.2	0.3	0.4	0.6	0.7	0.9	1.0	1.2	1.5	
K=7	A=	0	0.1	0.1	0.2	0.2	0.3	0.4	0.6	0.7	0.8	1.0	1.2	1.4	

Top Overlay Table		
K	=	D1
3	=	16
4	=	17
5	=	18
6	=	19
7	=	20

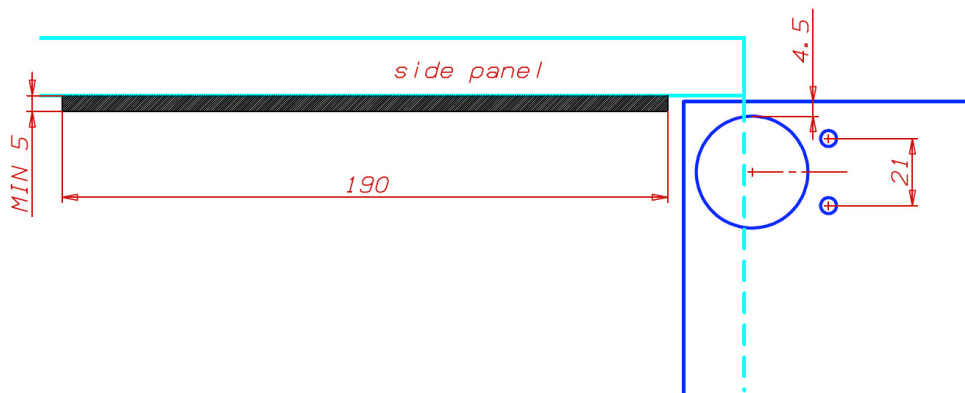
**K** = Drilling distance  
**D1** = Door overlay on the cabinet top  
**A** = Min Reveal

For Inset Installation

Side View



Top View



**SALICE** WIND Lift System

Sales Bulletin  
Jan 2018

**Optional Top Mount Bracket Set**



Bracket to be attached to the top of the cabinet for use with:

- Angled cabinets
- Wide or heavier doors
- 5 piece doors

Note: When using the top mount bracket, the overlay is reduced by 3mm. Refer to the overlay chart below.

**Each set contains:**

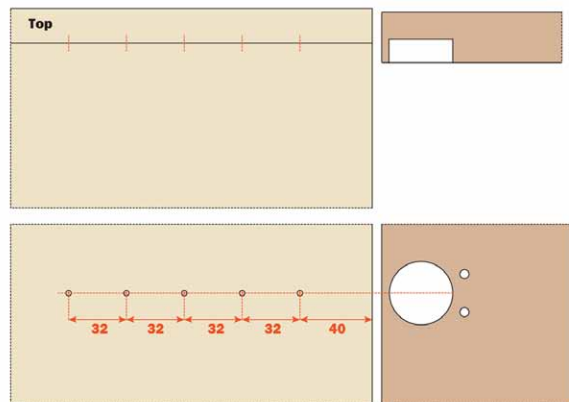
- 2 Top Mount Brackets and
- 2 Top Mount Covers

<u>Code</u>	<u>List/Set</u>
WIND-TM	\$ 21.38

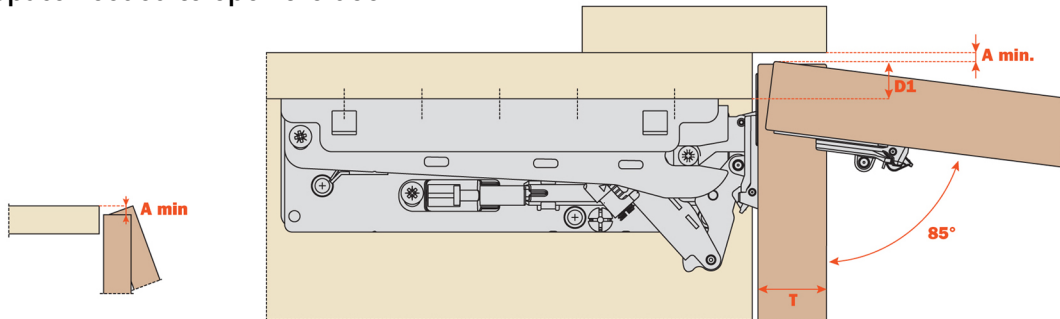


WIND-TM

**Drilling Pattern**



**Space needed to open the door**



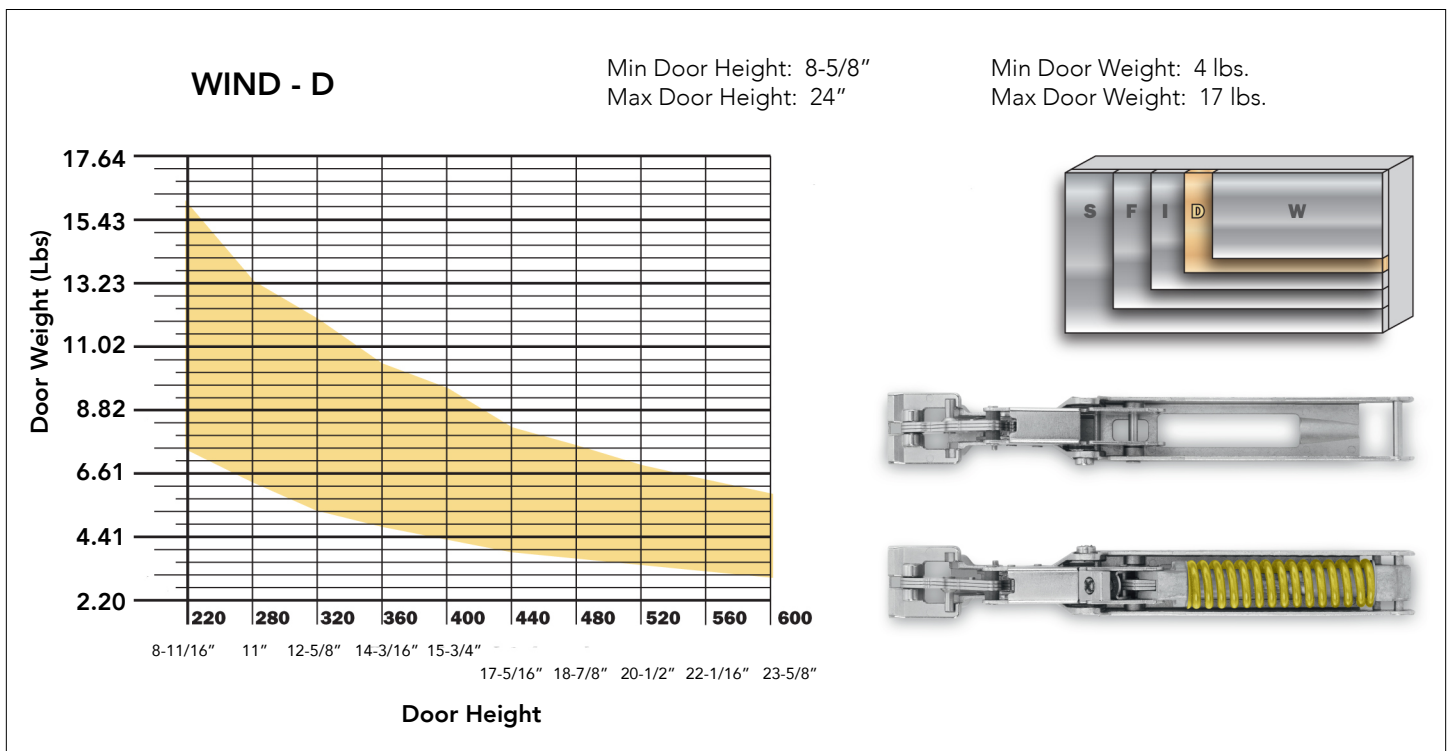
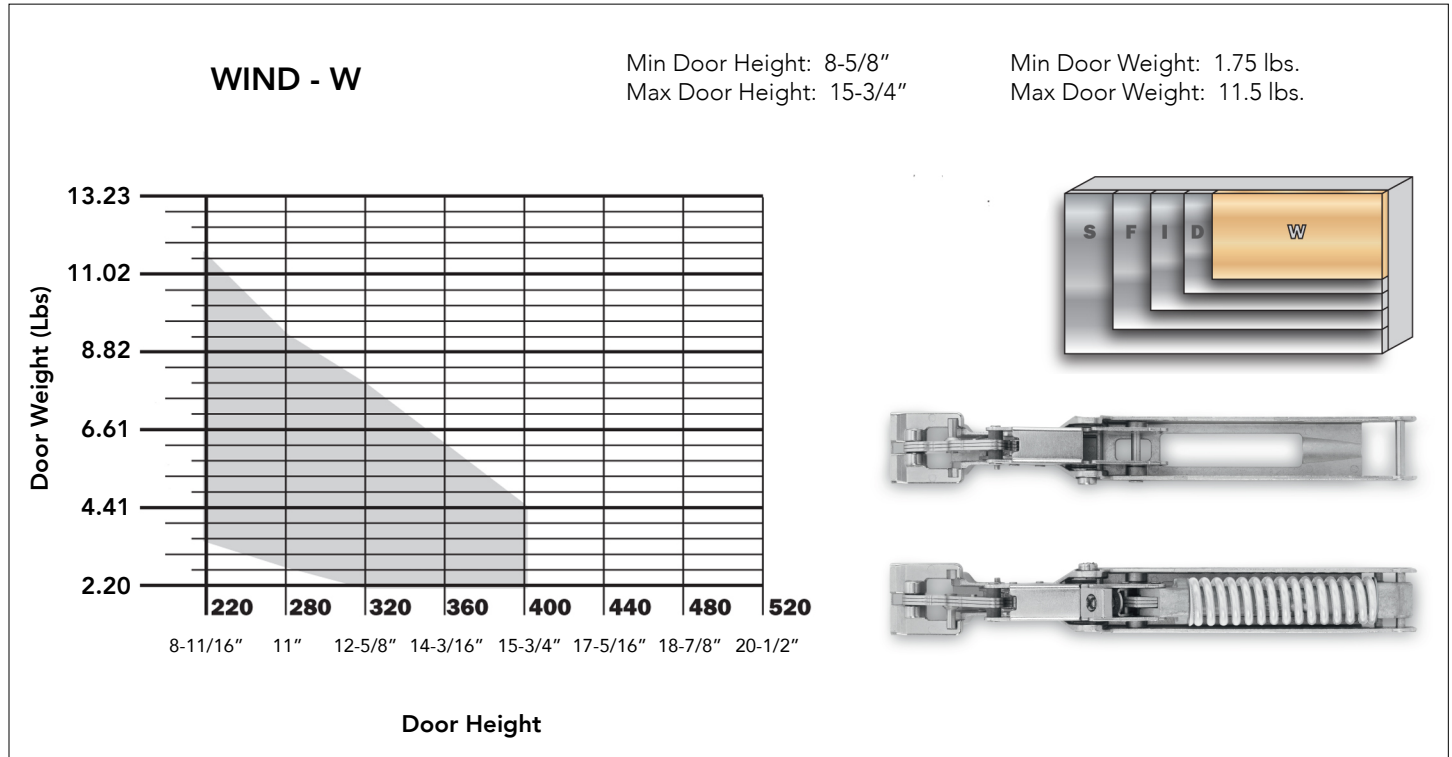
K	D1
3	= 13
4	= 14
5	= 15
6	= 16
7	= 17

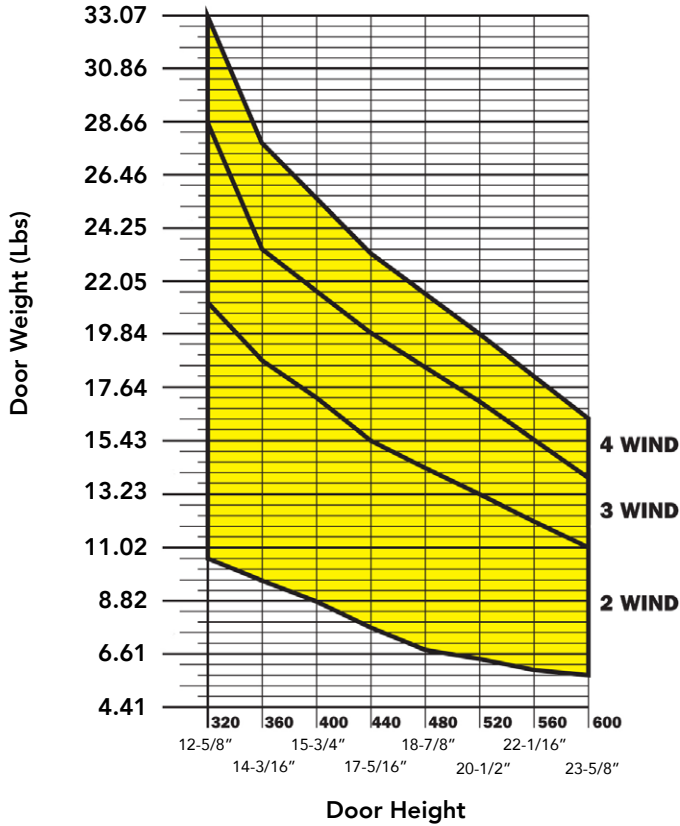
	T=	16	17	18	19	20	21	22	23	24	25	26	27	28
K=3	<b>A = min</b>	0	0.1	0.1	0.2	0.2	0.3	0.5	0.6	0.7	0.9	1.1	1.8	2.7
K=4	<b>A = min</b>	0	0.1	0.1	0.2	0.2	0.3	0.4	0.6	0.7	0.9	1.1	1.3	2.1
K=5	<b>A = min</b>	0	0.1	0.1	0.2	0.2	0.3	0.4	0.6	0.7	0.9	1.1	1.3	1.5
K=6	<b>A = min</b>	0	0.1	0.1	0.2	0.2	0.3	0.4	0.6	0.7	0.9	1.0	1.2	1.5
K=7	<b>A = min</b>	0	0.1	0.1	0.2	0.2	0.3	0.4	0.6	0.7	0.8	1.0	1.2	1.4



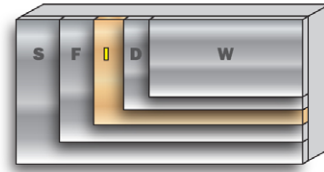
**Charts and Spring force identification for Wind Kits**

Use charts to determine the correct lift mechanism based on the door height and weight. When calculating the door weight you must include the weight of the decorative hardware. The maximum door width for two Wind lifts is 48" (1200mm). Note: Wind can be used on doors that are larger or heavier by adding additional Wind lifts to the cabinet and door. This can be done by installing a center partition and adding additional Wind lifts or by utilizing the Top Mount Brackets with additional Wind lifts.



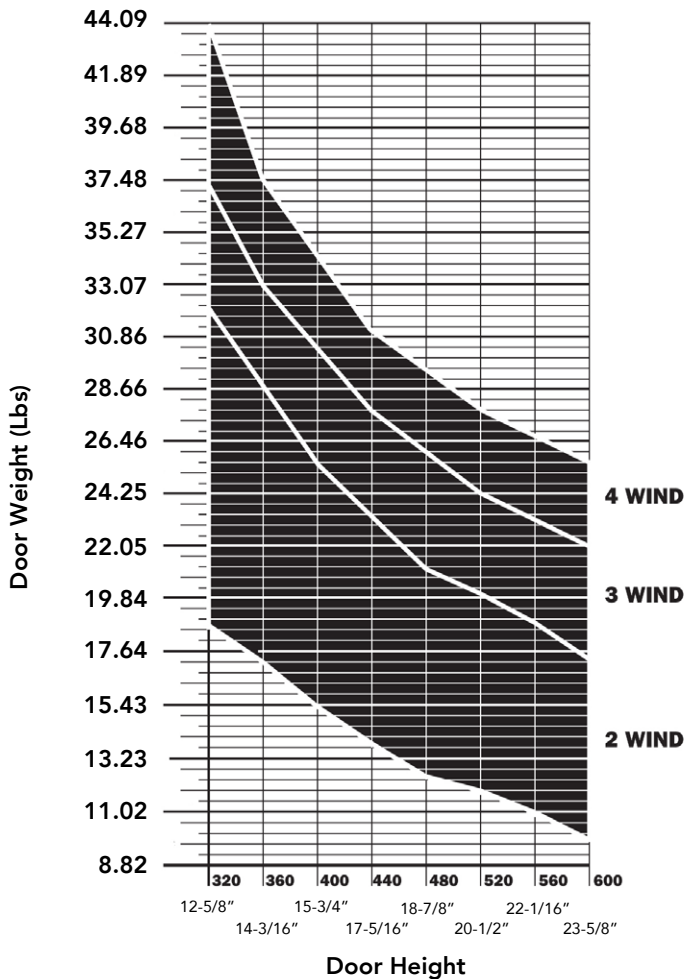


### WIND - I

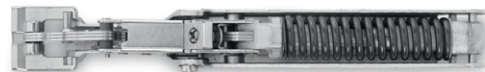


Min Door Height: 12-9/16"  
Max Door Height: 24"

Min Door Weight: 10.5 lbs.  
Max Door Weight: 21 lbs.



### WIND - F

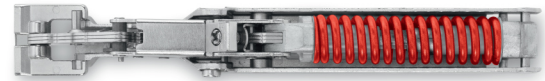
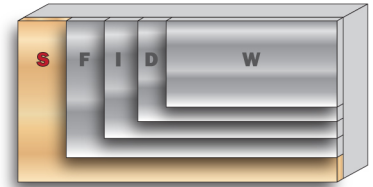
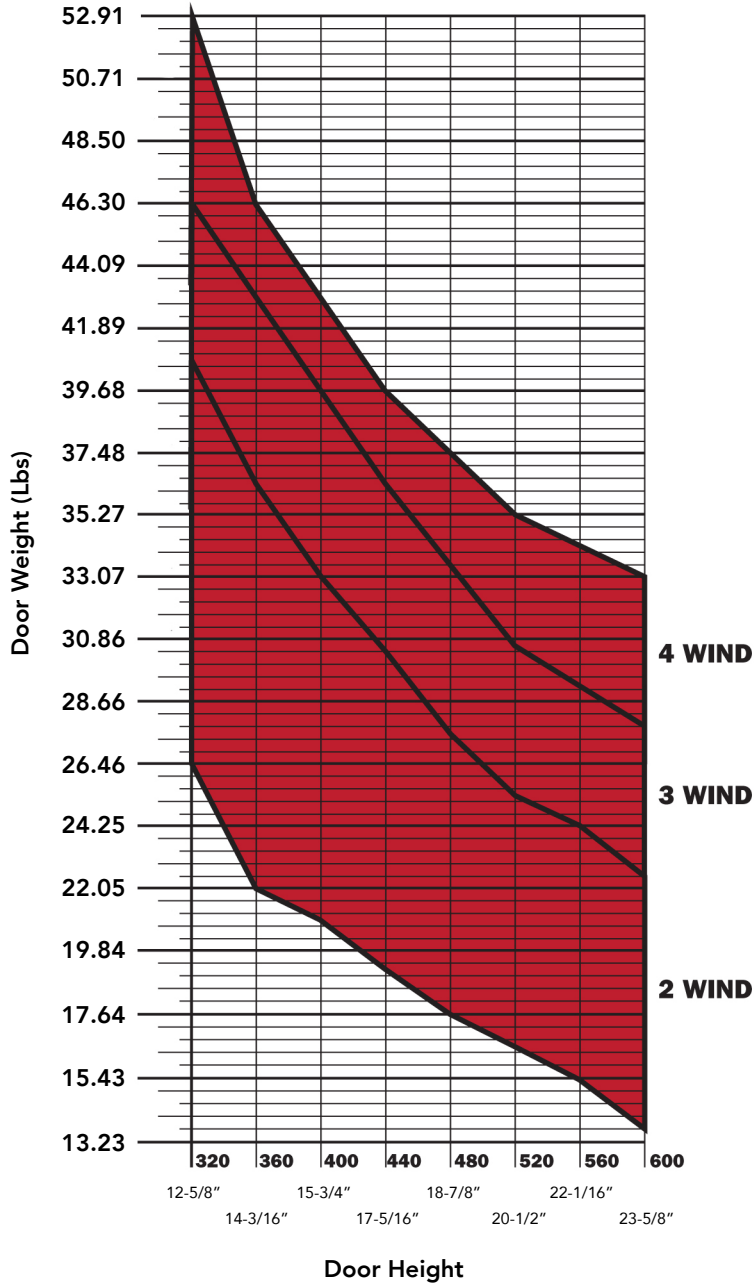


Min Door Height: 12-9/16"  
Max Door Height: 24"

Min Door Weight: 18.5 lbs.  
Max Door Weight: 32 lbs.



WIND - S



Min Door Height: 12-9/16"  
Max Door Height: 24"

Min Door Weight: 26 lbs.  
Max Door Weight: 41 lbs.