



Sales Bulletin
May 2016

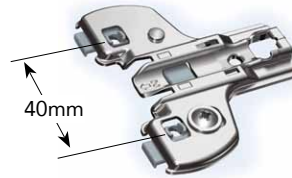
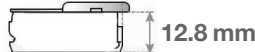
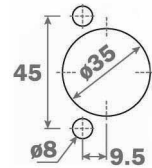
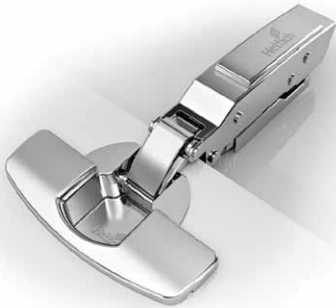
Sensys Hinges and Plates

Clip-on hinge with concealed Soft Close

For Large or Small Doors

Update
April 2017

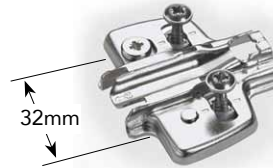
110° and 165° Hinges



Face Frame plates

- Hole spacing 40 mm
- Cam height adjustment ± 2 mm
- Steel, nickel plated

- Clip on with Soft Close
- For door thickness 15 - 24 mm
- Overlay adjust + 2 mm / - 2 mm
- Depth adjust + 3 mm / - 2 mm
- Height adjust mounting plates +/- 2mm
- 20 lb/pr. rating - fewer hinges needed for oversized doors
- Made in Germany



Frameless plates

- Hole spacing 32 mm
- Cam height adjustment ± 2 mm
- Steel, nickel plated

With Premounted
Euro screws

- For $\varnothing 5 \times 12$ mm holes

With Premounted
Wood screws

- For $\varnothing 2.5$ mm max
x 12mm holes

Closes large or small doors.

No slamming doors in hot surroundings;
no doors staying open in cold conditions:
Soft Close range from 41° F to 104° F.

Pull-tab release to clip off.

Restrictor Clips

Reduces opening angle of
hinge from 110° to 85°.



9071468 List \$.18/ea.

Soft Close Hinges 200/Ctn.

Code	Description	List/ea
9071223	110°, Full Overlay, Screw-On	\$ 4.52
9071226	110°, Full Overlay, Dowelled	4.79
9071238	110°, Full Overlay, Fix Fast (tool-less)	5.49
9071224	110°, Half Overlay, Screw-On	4.82
9071227	110°, Half Overlay, Dowelled	5.03
9071239	110°, Half Overlay, Fix Fast (tool-less)	5.79
9071225	110°, Inset, Screw-On	5.10
9071228	110°, Inset, Dowelled	5.34
9071240	110°, Inset, Fix Fast (tool-less)	6.07
9099561	165°, Full Overlay, Dowelled	\$ 10.13
9099563	165°, Full Overlay, Fix Fast (tool-less)	10.79
9099571	165°, Half Overlay, Dowelled	10.40
9099573	165°, Half Overlay, Fix Fast (tool-less)	11.13

Plates 200/Ctn.

Face Frame w/ Vert Cam		List/ea
9090882	0mm, Screw-On	\$ 1.55
9090884	4.5mm, Screw-On	1.64
1135793	Inset 3mm, Screw-On	1.46
Frameless Plate		
9071665	0mm, Premounted Euro Screw	1.18
9071670	0mm, Premounted Wood Screw	1.18
9071667	3mm, Premounted Euro Screw	1.21
9071672	3mm, Premounted Wood Screw	1.27
9071668	5mm, Premounted Euro Screw	1.46
1135743	Ram for Blum Machine	230.13



Sales Bulletin
Apr 2017

Sensys Pie Cut Corner Hinges
Clip-on hinge with Dowels - 50 / 65°



- Clip on Installation, with Dowels
- For door thickness 16 - 21mm
- Cup Diameter: 35mm, Cup Depth: 12.8mm
- Diagonal adjustment: +/- 9.5mm
- For integrated overlay and height adjustment, see specs below
- Height adjust mounting plates +/- 2mm
- 20 lb/pr. rating - fewer hinges needed for oversized doors
- Made in Germany

Code	Ctn	List/ea
9090116	50	\$ 8.07

Version A

Cup drill holes in one door

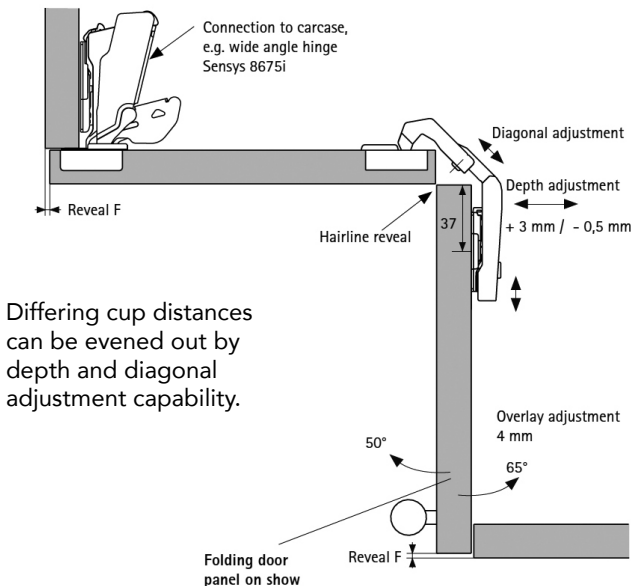
- All cup drillings in one door
- Hairline reveal can be provided between door units
- No cutaway in cup holes necessary
- Same door width for both elements
- Diagonal adjustment for easy adjustment to door thickness
- Same cup distance on both sides of side mounted door
- Hole line distance of 37mm in the folding door panel
- Cup distance C 3-6mm

Calculation of door width

Door width = cabinet width - reveal F - door thickness

Calculation of mounting plate distance

For cup distance C = 4.5mm: Baseplate = 0mm
For cup distance C = 3.0mm: Baseplate = 1.5mm



Differing cup distances can be evened out by depth and diagonal adjustment capability.

Version B

Cup drill holes in both doors

- Both door units are the same
- No cutaway in cup holes necessary
- Diagonal adjustment for easy adjustment to door thickness
- Hole line distance of 41mm in the side mounted door
- Cup distance C 3-6mm

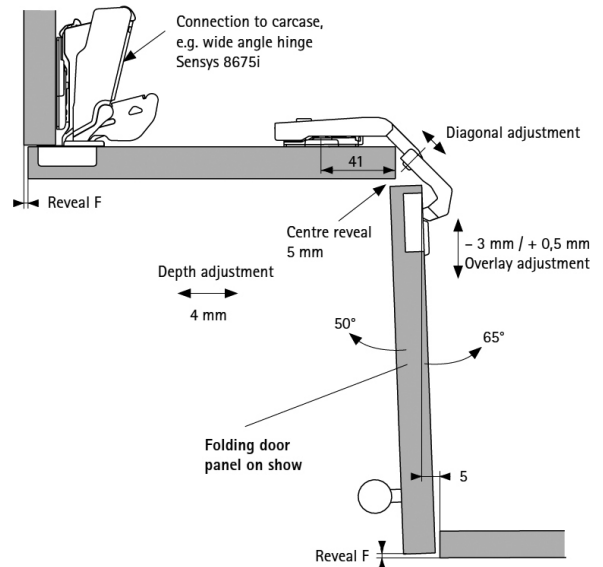
Calculation of door width

Door width = cabinet width - reveal F - door thickness - 5mm

Calculation of mounting plate distance

For cup distance C = 4.5mm: Baseplate = 0mm
For cup distance C = 3.0mm: Baseplate = 1.5mm

Differing cup distances can be evened out by depth and diagonal adjustment capability.



Sensys Selling Points

Sales Bulletin Update
April 2017

1) Drop-in for the Blum hinge.

- All the tabs, baseplate heights, and hinge cranks are the same. The system you currently use (Blum) will still achieve the same overlays it does now with the Sensys hinge. It uses a standard 6mm tab for Full overlay and Half overlay, as well as 4.5mm tab distance for 1/2" overlay and inset. Exactly the same as Blum. Plus, no more negative tab distances for the pie-cut lazy susan hinge.

2) All adjustments are the same as Blum.

	Sensys	Blum
Overlay	+2mm, -2mm	+2mm, -2mm
Depth	+3mm, -2mm	+3mm, -2mm
Height	+2mm, -2mm	+2mm, -2mm

3) My installers like the Blum because it is easy to use. They will not want to change.

- The attachment and release methods are identical. Use the intuitive pull tab for release and the simple snap-on for assembly. No new learning for the shop guys, no new habits for the installers. Easy transition = zero pushback.

4) Does it have an on/off switch to adjust the soft close speed for small and large doors?

- The heavy-duty coil spring and gas piston design controls the closing speed of the door. This results in the same closing speed, regardless of door size. The piston is not temperature dependent, so no more weather related issues. No doors slamming when it is hot or staying open when it is cold.
 - Real world field test: We put all our demos in a freezer for 48 hours. The Sensys closed in 6 seconds. The Blum took 5 minutes before it started to move.
- The consistency of the close eliminates the guesswork of how many hinges to turn on and off. No more call backs from angry homeowners when the painters put the hinges on in the wrong order.

5) Is there an Inserta/Logica equivalent style available?

Yes, we stock the Fix-Fast. Like the Inserta or the Logica it expands when the flange is pressed closed. Unlike the Inserta or the Logica the dowels do not expand, the cup itself expands with metal teeth to bite into the wood (similar to Rapido).

6) Does Hettich have a Machine Program?

- Yes, if the shop can purchase a certain number of hinges per year Hettich will dropship a machine for free and pay the freight. Hettich requires an MCA agreement between the shop and Hettich. We require a certain number of hinges and baseplates to be purchased. This is something to be worked out with your manager and the Rep.
- An insertion ram for a Blum machine is also available with an MCA.

7) Anything else to know about the hinge?

- Sensys carries a weight rating of 20 lb/pair versus the Blum at 15 lb/pair.
- Hold-open feature to eliminate door bounce back, perfect for preventing door damage from pull out drawers.
- Shallower cup depth than Blum: 12.8mm vs. 13mm minimum.
- Smoothest 165 degree soft close on the market.
- Euro baseplates come pre-mounted with Euro or Wood screws.

8) How does the price compare?

- It is a Top Quality hinge at a very competitive price.

Face Frame

Full Overlay (3/4" = 19mm, 5/8" = 16mm)

Overlay	Hinge	Plate	Tab
3/4"	F/O 9071226	0mm 9090882	6mm
5/8"	F/O 9071226	0mm 9090882	3mm

1/2" Overlay (1/2" = 13mm)

Overlay	Hinge	Plate	Tab
1/2"	F/O 9071226	4.5mm 9090884	4.5mm

1/2 Overlay (3/8" = 9.5mm)

Overlay	Hinge	Plate	Tab
3/8"	H/O 9071227	0mm 9090882	6mm

Inset

Overlay	Hinge	Plate	Tab
Inset	H/O 9071227	3mm (inset) 1135793	4.5mm

Frameless

Full Overlay

Overlay	Hinge	Plate	Tab
3/4"	F/O 9071226	0mm 9071665	6mm
5/8"	F/O 9071226	3mm 9071668	6mm
5/8"	F/O 9071226	0mm 9071665	3mm

1/2 Overlay (3/8" = 9.5mm)

Overlay	Hinge	Plate	Tab
3/8"	H/O 9071227	0mm 9071665	6mm

Inset

Overlay	Hinge	Plate	Tab
Inset	Inset 9071228	3mm 9071667	6mm