



Sensomatic for DynaPro



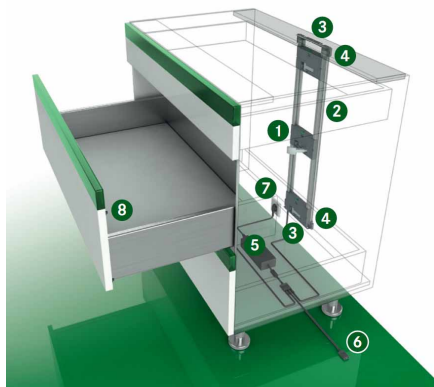
Sales Bulletin
Update
Sept 2020

Combine handle-free opening with the ever popular Soft-closing action. Just tap anywhere on the drawer front and the drawer opens automatically. The Sensomatic is an electro-mechanical opening system that works with the Dynapro slide system. One drive unit for cabinets widths up to 47-1/4" (1200mm). Ideal for waste bins and handle-free cabinet styles. Three settings for opening force.

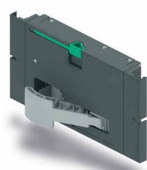


Scan here to see Installation Video or go to macpac1.com//videos.html#grass

Standard Cabinet with horizontal wooden stretcher



① Opening Unit
For DynaPro:
3 Force Settings



Code List/ea
F12-268 \$ 209.58

② Frame Sides
Including Frame Side Cable, 750mm (29-1/2")



Code List/ea
F12-285 \$ 152.62

③ Frame Connector



Code List/ea
F12-282 \$ 3.46

④ Fixing Bracket



Code List/ea
F12-270 \$ 6.04

⑤ Power Supply Unit



Code List/ea
F12-269 \$ 333.39

One power supply operates up to 30 opening units.

⑥ Connection Cable w/ 2-way adapter



New 63" (1600mm)

Code List/ea
F12-290 \$ 40.52

⑦ Power Cord, 6'



Code List/ea
F12-760 \$ 49.07

⑧ Spring-loaded Front Bumper



Code List/ea
F12-295 \$ 2.55

Front Gap: 3mm

Synchronization Cable

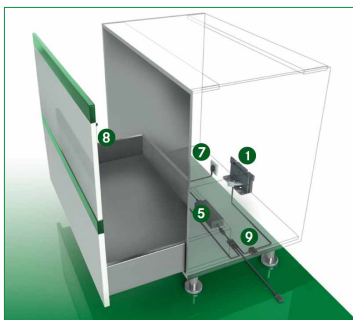


Up to three opening units can be activated at the same time if they are connected using the synchronization cable. 32' 9/16" (10m)

New

Code List/ea
F12-287 \$ 20.78

Waste Bin Cabinet with bottom panel frame mounting



Sensomatic Kit

- Includes:
- (1) Opening unit
 - (1) Base Frame
 - (1) Power Supply unit
 - (1) Power Cord
 - (4) Front bumpers



Code List/ea
F12-697 \$ 588.25

⑨ Four-way Adapter



Code List/ea
F12-293 \$ 60.75