



QUADRO 4D UNDERMOUNT SLIDES - IW20 - 14 Sizes

Adjusts for Inset, Height, and Side, plus Tilt. For perfect gap alignment

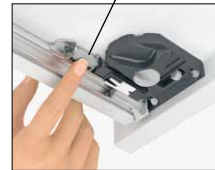
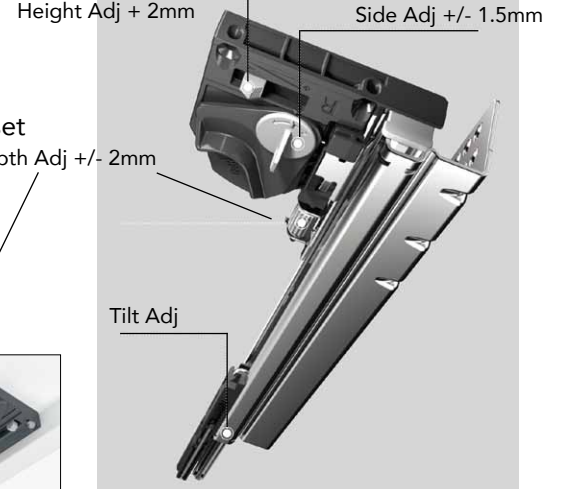
12" 14" 16" 18" 20" 22" 24"



Rear Tilt Bracket



- Load cap: 100 lbs. Dynamic
- All steel chrome plated bearings ensure a smooth glide for the entire life of the slide
- Ingrated Silent System closes the drawer quietly and gently
- Tool-free adjustment for **Height, Side,** and **Inset** depth. Optional rear tilt bracket is also tool-free.
- Self-cleaning ball-bearing tracks
- Use #7-58FPDT screws (sold separately) for slides

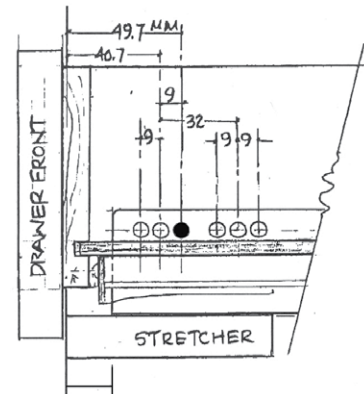
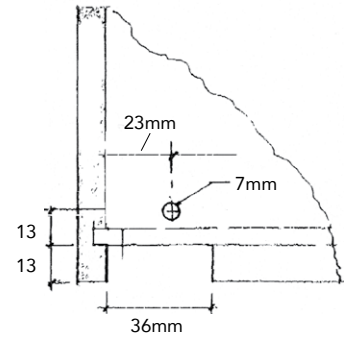


Front Clip:
- Side adj.
- Height adj.

4D Euro Series IW20 - 14 Sizes 12" 14" 16" 18" 20" 22" 24"

10 pr/ctn.

Code	Size	Drawer Lengths, 4 sided drawer, 1/2" material	Min Depth Req.	List/pr
9181186-87	11", 280mm	11-7/16"	12"	\$ 45.66
9181188-89	12" , 300mm	12-1/4"	12-3/4"	45.50
9181190-91	13", 320mm	13-1/16"	13-9/16"	46.17
9181192-93	14.2" , 350mm	14-3/16"	14-3/4"	46.53
9181194-95	15.4", 380mm	15-3/8"	15-15/16"	46.91
9181196-97	16" , 400mm	16-3/16"	16-3/4"	47.85
9181198-99	17", 420mm	16-15/16"	17-1/2"	48.13
9181200-01	18" , 450mm	18-1/8"	18-11/16"	48.51
9181202-03	19", 480mm	19-3/8"	19-7/8"	48.89
9181204-05	20" , 500mm	20-1/8"	20-11/16"	49.15
9181206-07	21", 520mm	20-15/16"	21-7/16"	49.39
9181208-09	22" , 550mm	22-1/16"	22-5/8"	49.79
9181210-11	23", 580mm	23-1/4"	23-13/16"	50.18
9181212-13	24" , 600mm	24-1/16"	24-5/8"	50.45



19mm (3/4") Setback
For 1/2" material use spacer
For 5/8" material, no spacer

Code	Description	Ctn	List
9218980	Front Fixing Clips: Includes LH/RH clips and 2 ea. spacers	10 pr.	\$ 3.07 /pr
9205924	Tilt Adjustment LH	100	1.11 /ea
9205925	Tilt Adjustment RH	100	1.11

Drawer Box Outside Width	
For box thickness	Deduct from cabinet opening
1/2"	9/16"
5/8"	5/16"

Prices are Net

**QUADRO 4D UNDERMOUNT SLIDES - IW20 / IW21**

Additional Information

The only ball bearing European undermount slide on the market.

Quadro steel I-bar design - helps eliminate drawer sag.

Quadro's chrome steel ball bearings have nylon spacers for an unmatched feel and movement.

Quadro's compact size leaves the smallest footprint.

Quadro 4D allows tight gaps for inset, flush-overlay & flush Euro cabinet styles. Quadro holds those gaps for thousands of cycles.

Quadro has height, side depth and rear tilt adjustments. All positions can be adjusted easily. The rear tilt can be adjusted with finger or tool.

Use one slide & clip for overlay, inset, and most big drawers. Overlay and inset drawers have equally easy installation. The inset adjustment is on the slide, and the front clip includes side adjustment. The spring loaded rear hook allows for use of a rear tilt adjustment or a drilled rear hole. The 100 lb. capacity can handle all but the largest drawers.

The drawer connects easily to the slide, with the installed slide in any position. You do not have to extend the slide or guide it into the front clip.

The drawer disconnects easily. Because of the rear hook spring, the slide disconnects as soon as the front clip is released (Fewer call backs).

Unlike all other undermounts, the 4D Quadro connects securely even when adjusted to its most extreme positions. This is true even when adjustments counter each other. Conversely, you can disconnect the slide in any adjusted position. With the Quadro, you will never get a call back from a customer who cannot remove or reinstall a drawer. This cannot be said of any other undermount slide.

The rear hook spring allows for drawers up to 1/2" longer or 3/8" shorter than standard.

The front clips can be installed with screws straight into the drawer bottom or angled into the front.