

**SALICE**



In Stock

Sales Bulletin  
Sept 2018



**Pacta: Hinges for Drop Down Doors**

The Pacta hinge system for drop down doors has a soft opening with a controlled, gradual fall of the door. Fully opened, the door and cabinet align to form a flat surface.

Available in Soft Opening with Self-close feature, or Push to open for handle-less doors. Pacta covers are offered in a variety of finishes to complement and blend with any interior.

Applications include: kitchen & bathroom cabinets, living room furniture and can also be used to create desks or writing surfaces.

**Select the correct kit for the door size and weight using charts on following page.**

**All Kits:** Door Height: Min: 11", Max: 16",  
Door Thickness: Min: 5/8", Max: 1-1/8".

**Manual open, Self close, Soft down Pacta kits**

Kit includes: (2) Pacta self close hinges, (2) mounting plates, (2) smoves, (4) 5mm x 13mm euro screws, (2) #6 x 1" screws.

Code	Description	Min. Door Weight	Max. Door Weight	List/kit
PACTA-W	Type W, w/ Gray Smove	3 lbs.	9 lbs.	\$ 64.92
PACTA-I	Type I, w/ Tan Smove	7	15	65.73
PACTA-S	Type S, w/ Red Smove	9	21	67.24

**Push open, Soft down Pacta kits**

Kit includes: (2) Pacta push hinges, (2) mounting plates, (2) smoves, (4) 5mm x 13mm euro screws, (2) #6 x 1" screws.

Code	Description	Min. Door Weight	Max. Door Weight	List/kit
PACTA-WP	Type W, w/ Gray Smove	3 lbs.	9 lbs.	\$ 65.29
PACTA-IP	Type I, w/ Tan Smove	7	15	66.23
PACTA-SP	Type S, w/ Red Smove	9	21	68.19

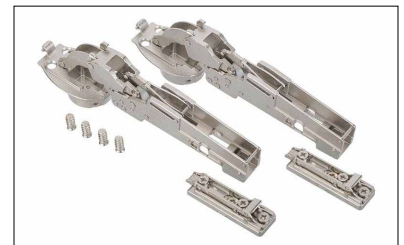
Order Magnetic Release devices separately.



**Cover kits** Kit includes: 2 covers.

Code	Description	List/kit
PACTA-GRAY	Cover kit, "M" - Gray color	\$ 12.27
PACTA-WHITE	Cover kit, "1" - White color	19.74

**Self Close & Push Close Kit**



**Color-coded Smove**



**Cover Kit (2 covers)**



Pacta: Hinge for Drop Down Doors *cont.*

**Center Hinge kits** (required for doors 30" or wider. Fully cam adjustable.)

Kit includes: (1) hinge\*, (1) cover set (door & cab), (4) 5mm x 10.5mm euro screws.

\* hinge is 35mm in diameter and has a 13mm deep cup.

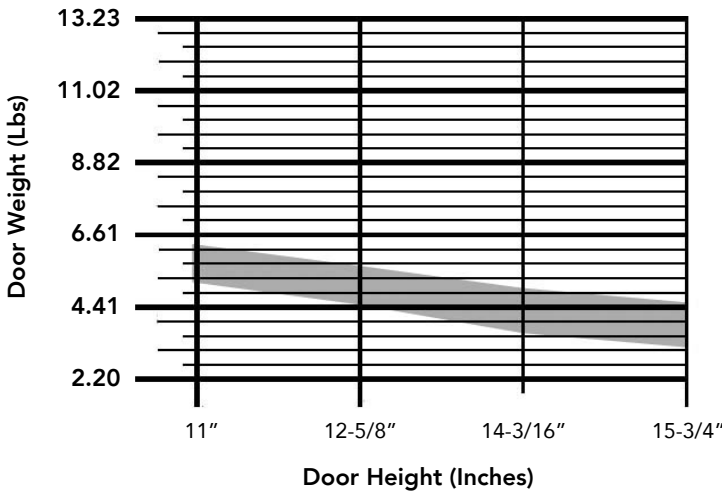
Center Hinge Kit



Code	Description	List/kit
PACTA-CH-GR	Center Hinge kit, "M" - Gray color	\$ 15.24
PACTA-CH-WH	Center Hinge kit, "1" - White color	18.57

Door size and weight charts

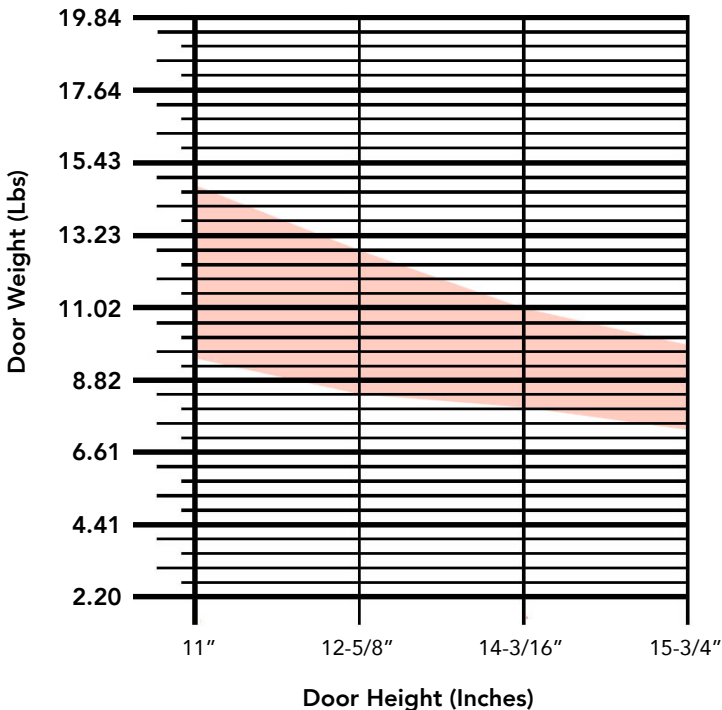
Type W kit: Use One Smove (Gray)



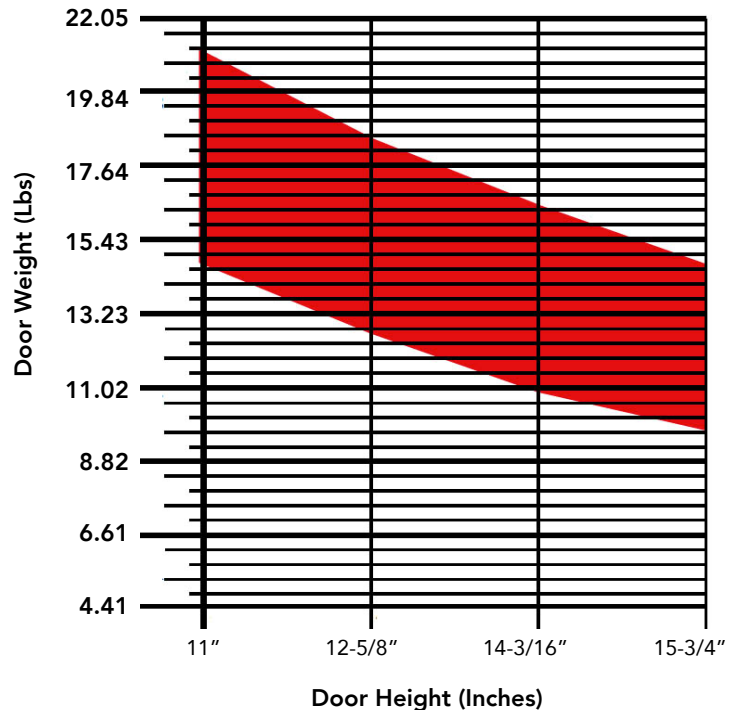
Type W kit: Two Smoves (Gray)

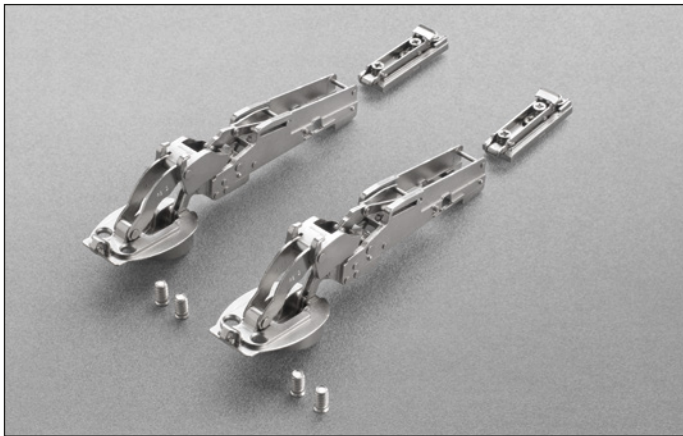


Type I kit: Two Smoves (Tan)



Type S kit: Two Smoves (Red)





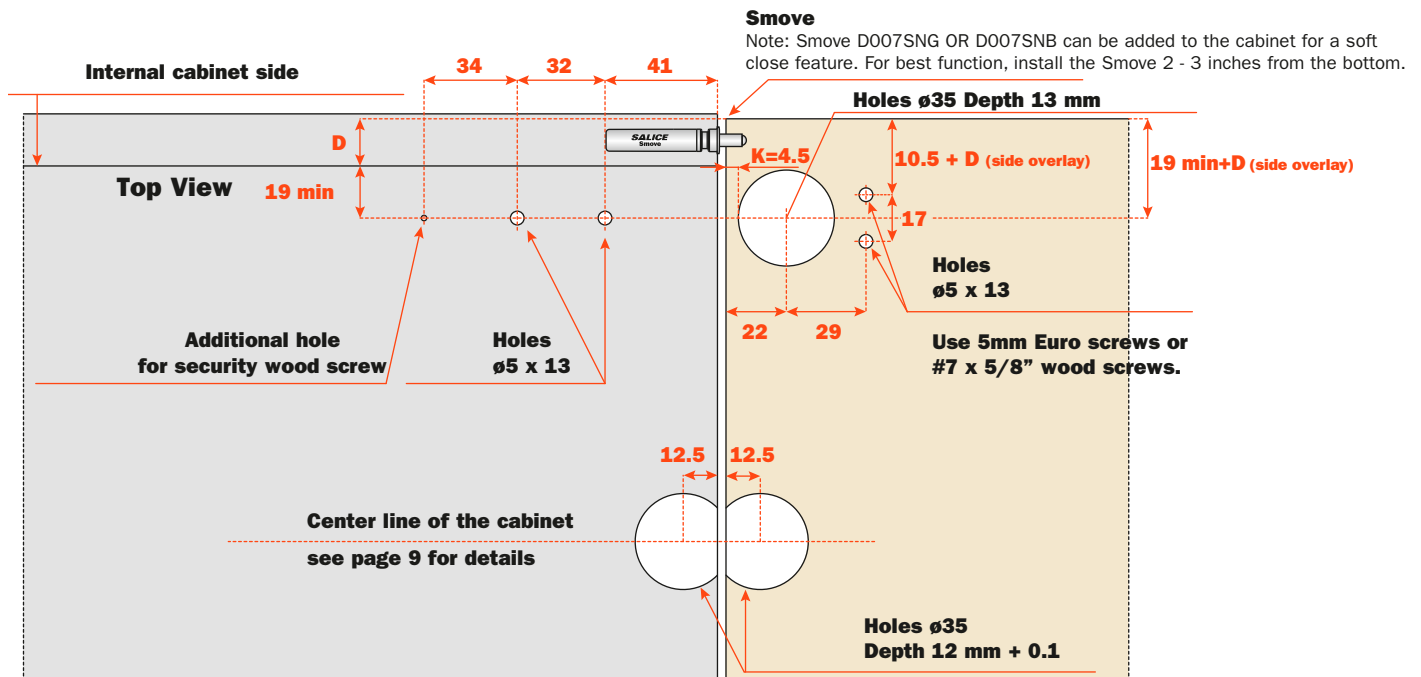
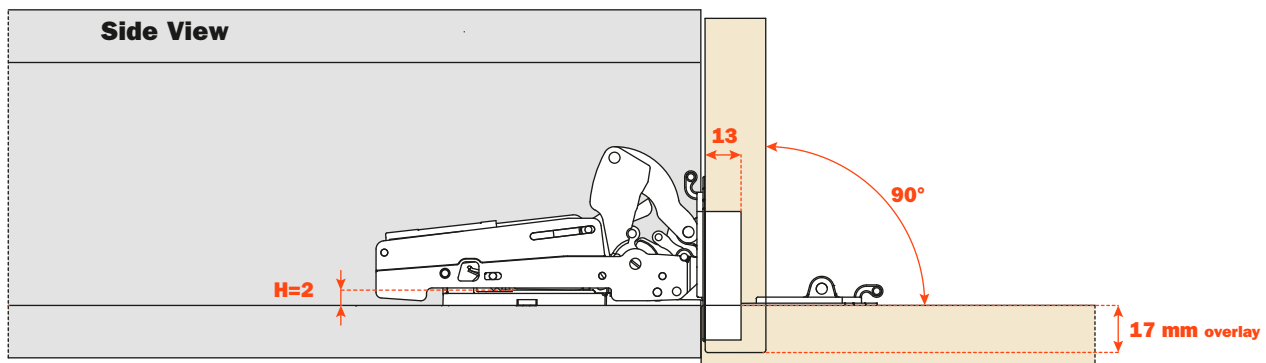
**Technical information**

**Hinges with Soft Opening and self close feature.**

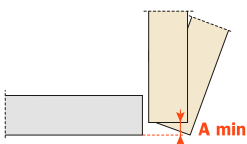
Standard drilling of the door  $\varnothing$  35.  
 13 mm deep cup.  
 90° opening.  
 Fixed K = 4.5 mm.  
 Minimum door height of 11"  
 Maximum door height of 16"  
 Minimum door thickness of 16 mm  
 Maximum door thickness of 28 mm.  
 Overlay 17 mm  $\pm$  adjustment.  
 Attachment to the cabinet with in-line, snap-on mounting plate (BAPGR29/16).

**Pacta is tested and certified to level 3 of UNI EN 15828:2010**

**Drilling patterns**



**Space needed to open the door**



	T=	16	17	18	19	20	21	22	23	24	25	26	27	28
K=4.5	A=	1.3	2.1	3	3.9	4.8	5.7	6.6	7.5	8.5	9.4	10.4	11.3	12.3