



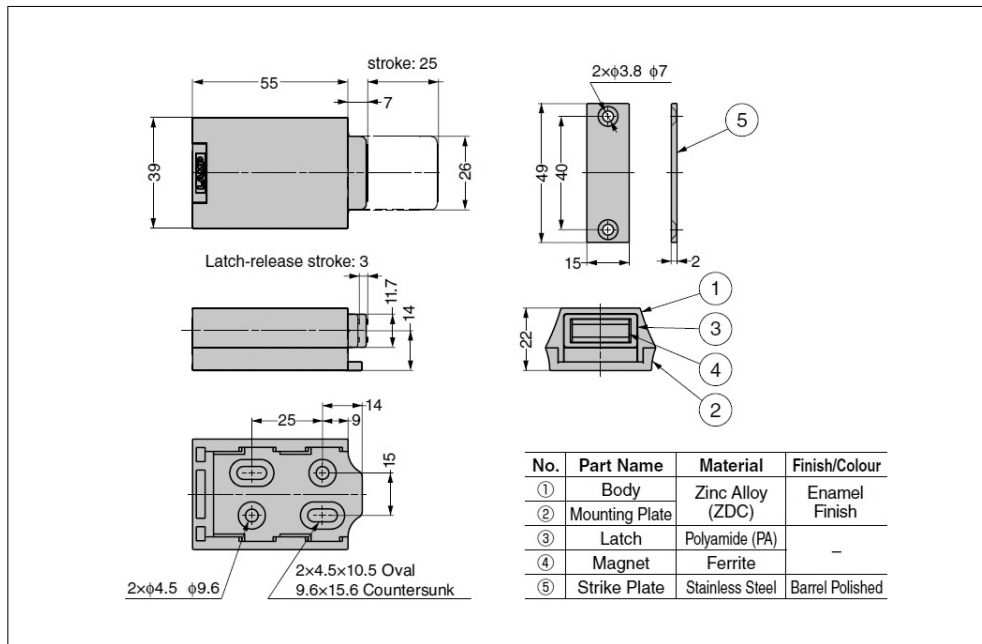
Push-To-Open Door Latch



Durable magnetic metal touch latch with strong push force for **full size doors** eliminates the need for handles. Create hidden doors in closets, pantries, and other spaces.

Magnetic force: 6.6 lbs.
Push force: 11 lbs.

- Designed for use on large doors due to its strong push force
- Magnet part has an allowance of 1.5° on each side to catch the strike plate correctly, helping the magnet to adjust even if there is a slight misalignment
- The screws for the mounting plate are designed to be hidden from view



Code	Description	List/ea
ML-ZN80BL	Push-To-Open Magnetic Latch, Black	\$ 55
ML-ZN80WT	Push-To-Open Magnetic Latch, White	55