



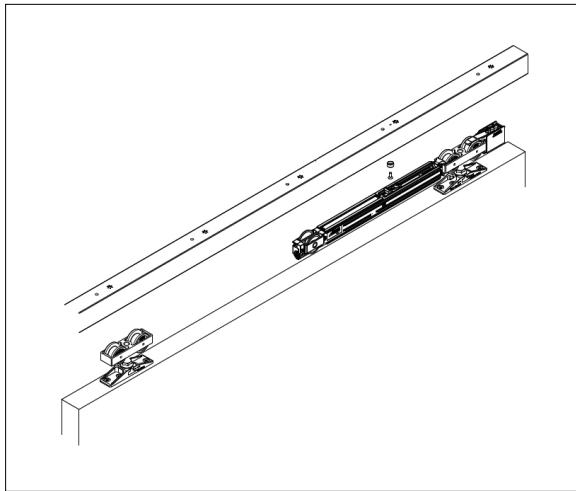
**HAWA JUNIOR Soft Move**

Use with Hawa Junior 80 Series Sliding Doors



JUNIOR80-SOFT

The SoftMove soft-closing mechanism is an accessory for all Hawa-Junior 40-80-120 systems suitable for both wood and glass sliding doors. The mechanism is completely integrated into the upper running track. The SoftMove soft-closing mechanism gently decelerates sliding doors and draws them into their final position. Quick and easy to install with included installation aids. Uses a high quality hydraulic damper that is very quiet, with long lasting and maintenance free materials.



Use with our stocking Hawa 80 Series sets for soft close. 176 lb. load capacity.

Min. door width for one sided soft-close: 27-3/16"  
Min. door width for two sided soft-close: 40-9/16"

<u>Code</u>	<u>Description</u>	<u>List/st</u>
JUNIOR80-SOFT	Hawa Junior80 SoftMove	\$ 273.58