



## CORNERSTONE MAXX



Maple w/ Silver Railing - RH unit

- Can be installed with drawer above
- The shelves can be moved in and out independently and do not obstruct the adjacent cabinet
- Rapid **single** post install showcases floating design
- Tool-free assembly of shelves onto supports
- Simple height adjustment (Min. 19-5/8")
- 55 lbs. Load Cap per shelf

### One Shop's Experience:

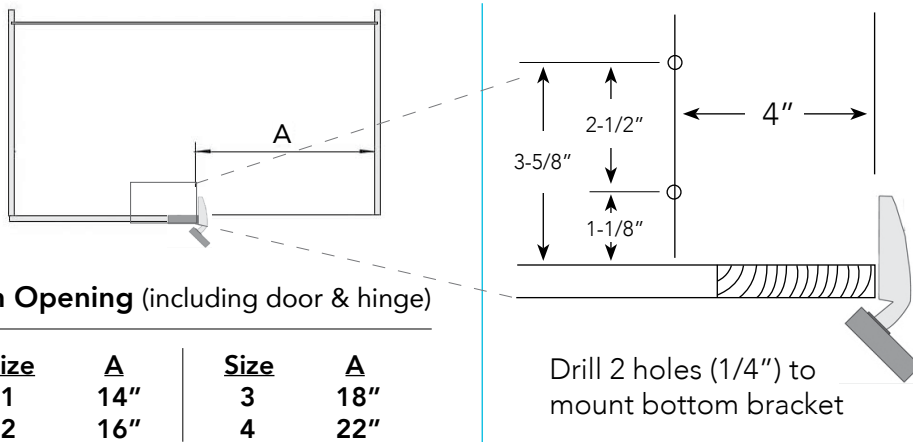
"This installed so EASY and I really like it. Let's use this from now on."



White w/ Silver Railing

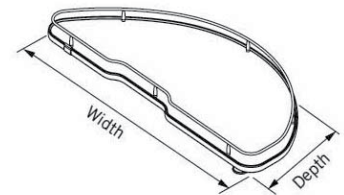


Lava w/ Grey Railing



### Min Opening (including door & hinge)

Size	A	Size	A
1	14"	3	18"
2	16"	4	22"



### Product Dimensions

Size	Width	Depth
1	29"	13"
2	33"	14-3/4"
3	37"	16-3/4"
4	39"	18-3/16"

**What to Order** For one complete set, order 1 set of shelves and 1 hardware kit.

### Shelves (required)

Maple	White	Lava Grey	Size #	List/set
90007611	90007515	90007554	1 LH	\$ 206
90007612	90007514	90007555	1 RH	206
90007613	90007517	90007556	2 LH	215
90007614	90007516	90007562	2 RH	215
90007615	90007513	90007558	3 LH	230
90007616	90007442	90007559	3 RH	230
90007617	90007519	90007560	4 LH	318
90007618	90007518	90007561	4 RH	318

### Hardware Kit (required)

Code	Description	List/set
90007432	Universal Hardware Kit (non-handed)	\$ 303.60



See video on Cornerstone Maxx Installation at [macpac1.com/videos.html#vauthsagel](http://macpac1.com/videos.html#vauthsagel)