

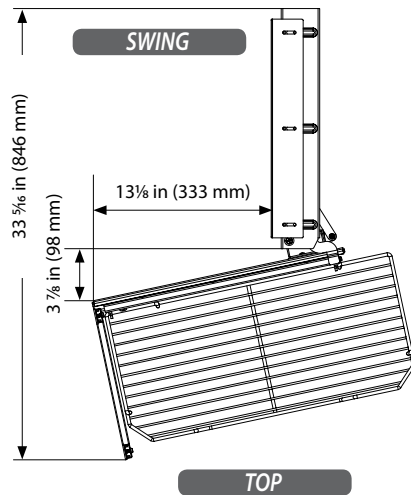


Above Appliance Pull-Out 5708 Series, Non-handed

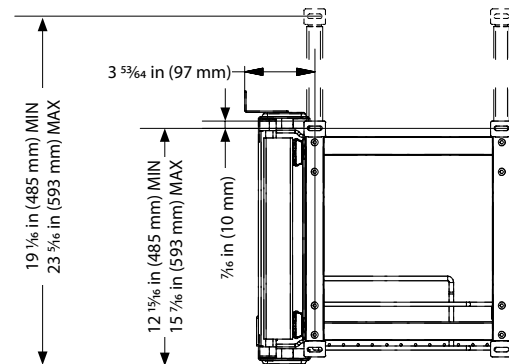
- Fits 24" deep wall cabinetry
- Minimum cabinet opening width: 15", 15-1/2" min. opening height required for frameless cabinetry
- Reversible design: attached to either side of cabinet
- Adjustable door mount brackets for perfect fit



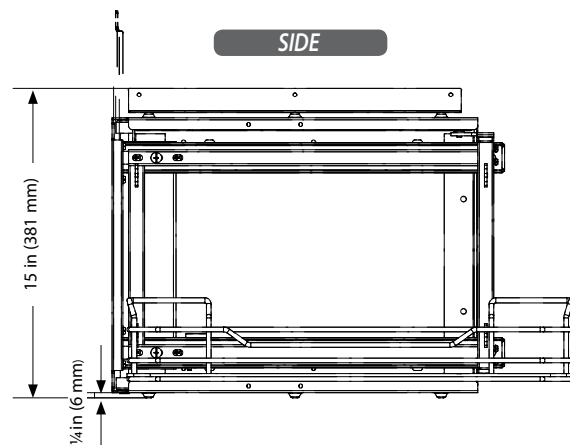
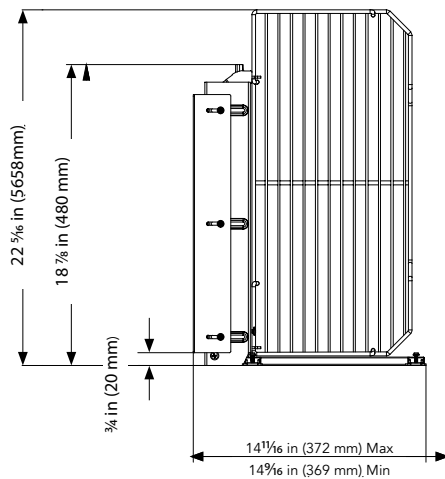
5708-15CR



FRONT



SIDE



Code

5708-15CR

Dimensions

13" W x 19" D x 15" H

List/ea

\$ 371.54